

Mini Handball Goal

Thank you very much for choosing a Sport-Thieme product!

Please read the instructions fully before you assemble the equipment, so you can enjoy the product and safety is guaranteed. We are happy to answer any questions you may have.



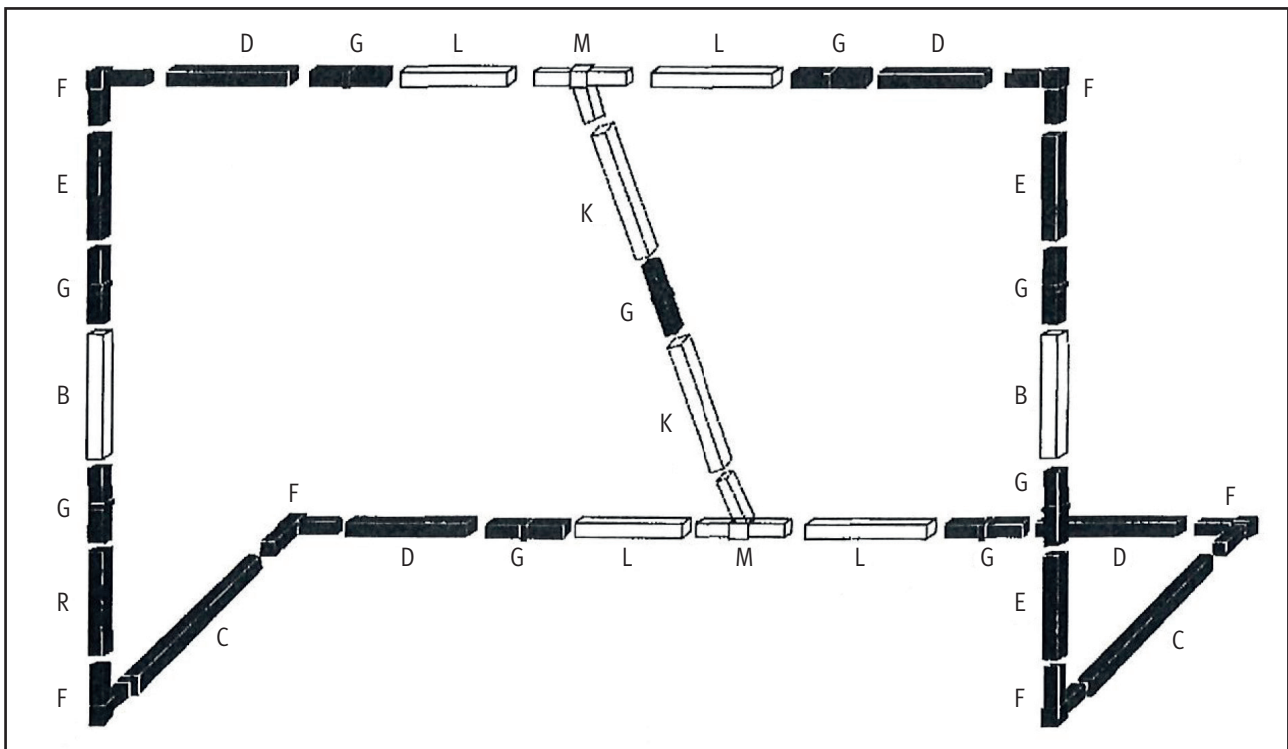
MINI HANDBALL GOAL

Mini goal made with Handball school's trainers.
Specially made for children from 6 to 10 years old.
Dimensions: 240 x 170 x 105 cm.

IMPORTANT:



This mini handball goal has been specially made for the use of children from 6 to 10 years old.
This mini-handball goal is light, removable and transportable. We advise to use it in an open area.
It should not be at children's disposal without an adult supervision.



Mini goal components

- K** 2 white rods of 91,5 cm made with polyethylene, 55 mm squared section
- L** 4 white rods of 47,5 cm made with polyethylene, 55 mm squared section
- B** 2 white rods of 55 cm made with polyethylene, 55 mm squared section
- C** 2 red rods of 100 cm made with polyethylene, 55 mm squared section
- D** 4 red rods of 49 cm made with polyethylene, 55 mm squared section
- E** 4 red rods of 49 cm made with polyethylene, 55 mm squared section
- F** 6 red angles, molded and high-strength, 55 mm squared section
- G** 9 connectors, molded and high-strength, 55 mm squared section
- M** 2 T-connectors, molded and high-strength, 55 mm squared section
- H** 2 weights
- I** 1 net
- J** 20 Velcro fastenings

Instructions

GOAL ASSEMBLY:

Start by assembling the floor-part with the angles **F** and the back-part **D + L + M + L + D**. Then go on with the 2 **E + B + E** pieces. Join the **K + K** back reinforcement pieces and install the **D + L + M + L + D** transversal with the 2 angles **F**. Then, nest those elements in the 3 pieces.

WEIGHTS USE:

To avoid that the goal goes backward, we advise putting the **H** weights in the **D** floor tubes.

NET INSTALLATION:

After the goal assembly, tighten the net **I** on the goal's back, and put the net's strap in the 6 angles. Then fix the Velcro fastenings on the outline.