

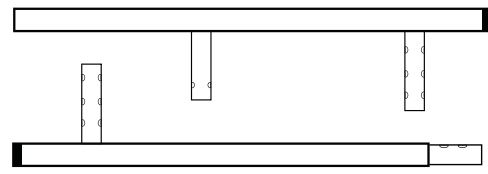

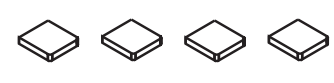

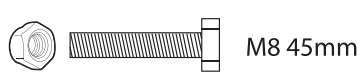

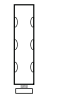

Big grindrail instruction 210*290MM 2side print

290.00 mm

GRIND RAIL

Revision GR.12.13

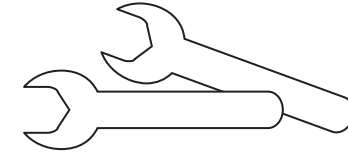
GRIND RAIL COMPONENTS

-  **A** X2 Grind Rail Sections
-  **B** X2 Support Legs
-  **C** X4 Rubber Non Slip Caps
-  **D** X2 Grind Rail Joining Bolts
-  **E** X3 Support Leg Bolts with Nuts
-  **F** X3 Support Leg Washers
-  **G** X1 Central Support Leg
-  **H** X2 Spring Washer

TOOLS REQUIRED



Allen Key (supplied)



Spanners X2 (supplied)

WARNINGS

- Age 8+
- 100kg Max user and equipment weight.
- To ensure safe use of this Grind Rail, always observe the listed warnings. Failure to do so may result in injury.
- Always wear appropriate protective gear (including knee and elbow pads, wrist guards and safety helmets) when using your Grind Rail.
- Adult supervision is recommended when fitting protective gear.
- Assemble in a clear safe location with adult supervision.
- Ensure all fittings are tight and secure before use.
- The Grind Rail must only be used on flat surfaces free of debris.
- Do not use on or by railings, steep gradients, water or walls.
- Only use the Grind Rail in places free of traffic and pedestrians, such as parks or playgrounds, so as not to endanger yourself or others. Be alert at all times and be considerate of others.
- Never attempt to perform manoeuvres for which you are not skilled for
- Do not use when visibility is poor, in wet or very cold weather conditions
- Check regularly the condition of the rubber sleeve feet and Grind Rail for damage, to ensure maximum surface cohesion.
- For all products used with this Grind Rail, please refer to the handbook for suitability.

CARE & MAINTENANCE

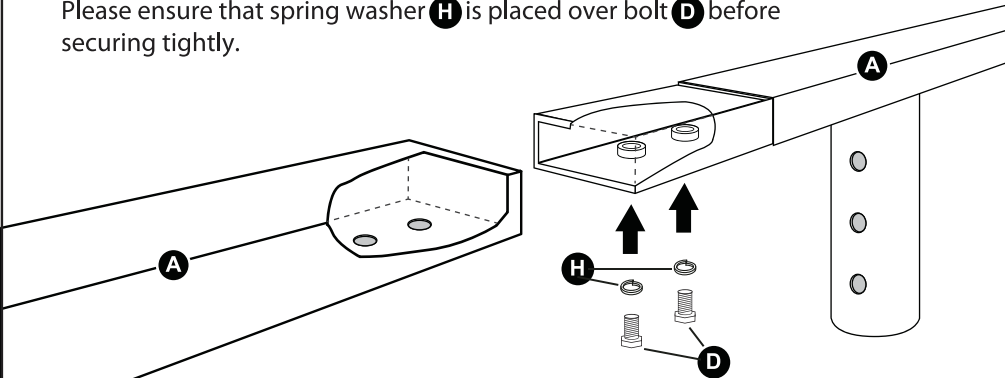
- A thin coat of wax can be applied for the surface of the Grind Rail to improve grinding.
- To clean, wash the Grind Rail with mild detergent and water. Dry thoroughly before using again.
- To avoid weather damage, do not leave outside for long periods of time or during poor weather conditions. Store in a dry place

210.00 mm

1. ATTACHING THE RAIL SECTIONS

Remove all components from the packaging

1. The grind rail is made up of two interlocking sections. Interlock sections **A** together, making sure that the holes on the underside are aligned.
2. Secure the two rail sections **A** into position using the bolts **D**. Please ensure that spring washer **H** is placed over bolt **D** before securing tightly.



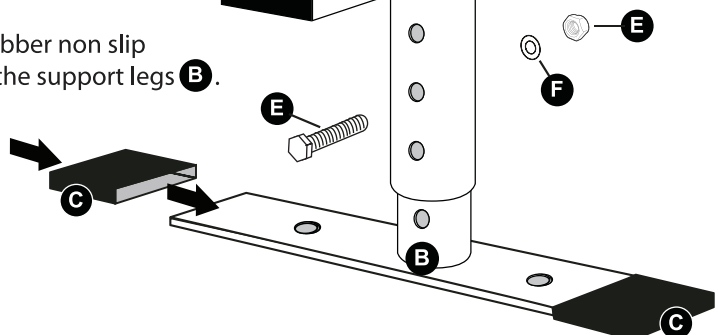
2. ATTACHING THE MAIN SUPPORT LEGS

Once the two sections are attached:

3. Take the support legs **B** and slot into down tubes located at either end of the rail.
4. Secure the legs using nut and bolt **E** placing washer **F** on bolt before securing nut **E** tightly.

Now repeat steps 3 and 4 for the other end of the rail.

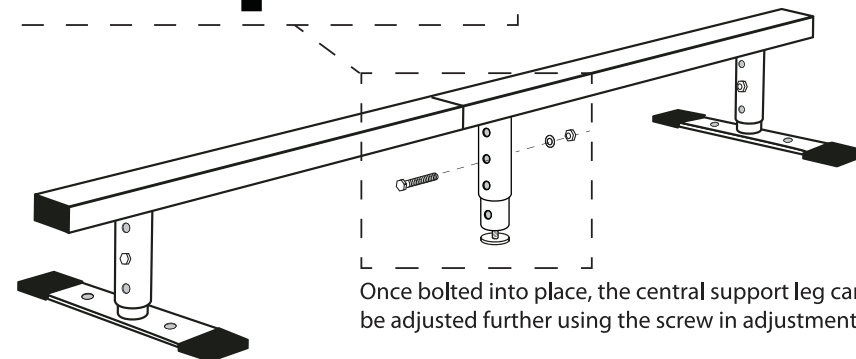
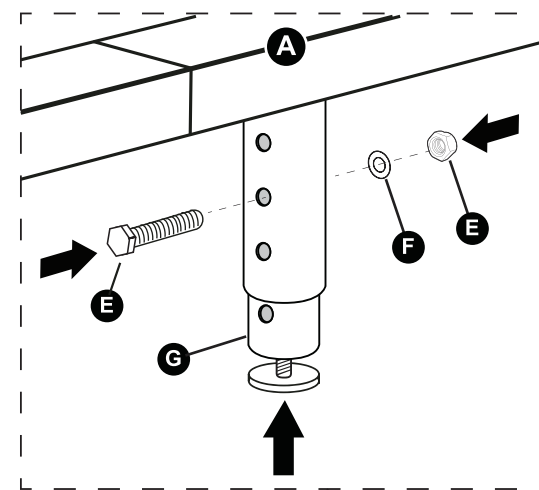
6. Push on the rubber non slip caps **C** onto the support legs **B**.



3. ATTACHING THE CENTRAL SUPPORT LEG

7. Take the Central Leg Support **G** and slot it into the central support tube of the Grind Rail, make sure you align the holes correctly and make sure that you match the height to the main support legs. Once this is complete you are ready to secure the leg into position.

8. Secure the two sections into position using the bolt **E** and place washer **F** onto bolt before securing tightly using nut **E**.



Grind rail assembly is now complete