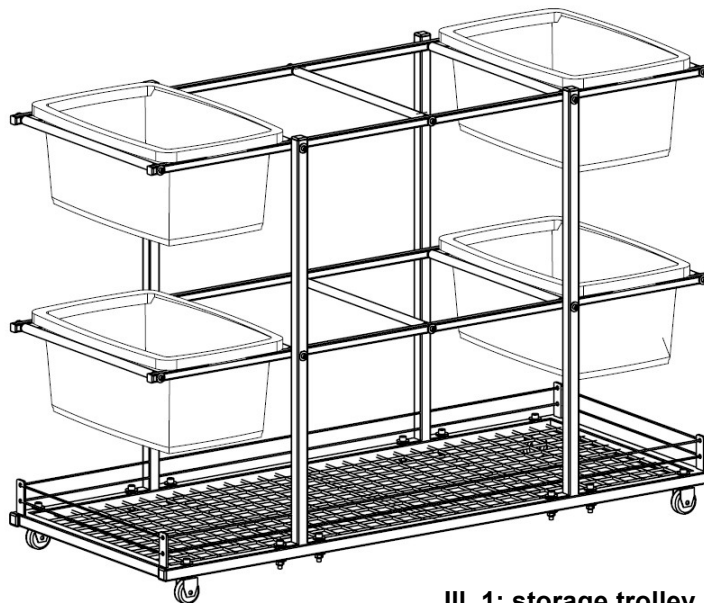


Operating/assembly instructions
for storage trolley 'Comfy III'

Thank you very much for choosing a **Sport-Thieme** product. We want to make sure that you can enjoy this product, so here is some important advice for your safety as well as for the use and maintenance of the equipment.

Please read these instructions carefully before you assemble and use the equipment:



III. 1: storage trolley 'Comfy III'

Included:

<u>Pos.</u>	<u>Description</u>
1	1 x base with swivel castors and wire grille
2	4 x post; square tube 30 x 2; l = 1.01 m
3	4 x long profile for baskets; square tube 20 x 2; l = 1.64 m
4	10 x short profile for baskets; tube 22 x 2; l = 0.55 m
5	12 x socket head screw M 8 x 50 DIN 912 with washer DIN 125
6	8 x socket head screw M 8 x 70 DIN 912 with washer DIN 125
7	8 x socket head screw M10 x 50 DIN 912 with two washers DIN 125 10 x 30 and locking nut DIN 985
8	4 x basket
9	2 x Isilink cord: l = 4.4 m

Prod. code: 114 6019

Sport-Thieme GmbH
38367 Grasleben / Germany
Tel: +49 (0)5357 181 81
Fax: +49 (0)5357 181 90

1. **General**

The 'Comfy' storage trolley is designed for the clearly arranged storage and transport of Comfy floats and other light weight swimming apparatus. The storage trolley is made from galvanised materials and aluminium and therefore ideal for use in indoor and outdoor swimming pools etc. The trolley's functionality can be expanded by simply adding baskets (prod. code: 114 6035) (See ill. 3 to 6).

1. **Assembly instructions**

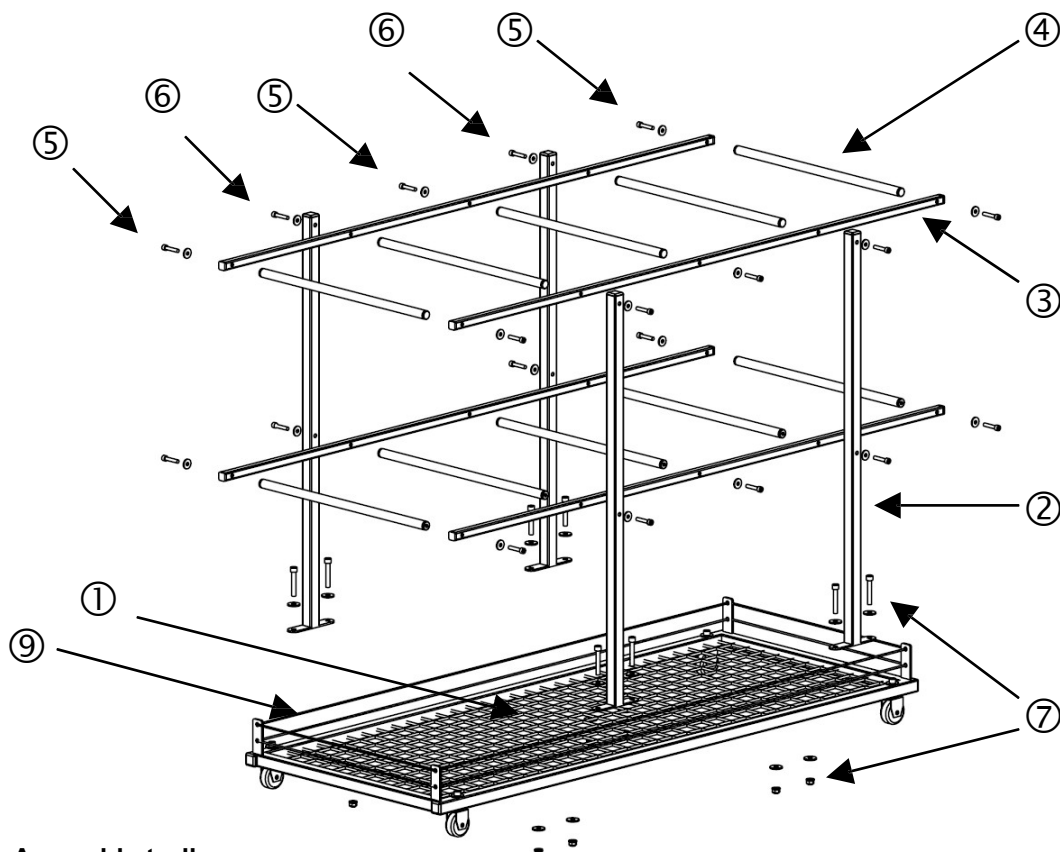
Connect the posts ②, the long profiles ③ and the short profiles ④ for the baskets using the bolts and washers M 8 ⑤ and ⑥.

Tighten the bolts ⑤ and ⑥ only hand-tight, please.

Afterwards, this component ② ③ ④ is mounted to the base with swivel castors ①. For this, please use the socket hex bolts M 10 x 50 with 2 washers and locking nuts ⑦ (see ill. 2).

At the end, feed the Isilink cords ⑨ as rail around the lower level (see ill. 2). They are meant to prevent small balls or similar from rolling off the trolley.

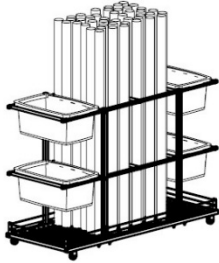
Now all bolts are tightened. The baskets can now be attached to the respective openings. The trolley is now ready for use.



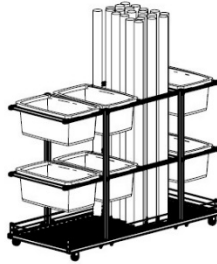
III. 2: Assembly trolley

Prod. code: 114 6019

Sport-Thieme GmbH
38367 Grasleben / Germany
Tel: +49 (0)5357 181 81
Fax: +49 (0)5357 181 90



III. 3: standard version



III. 4: version 1



III. 5: version 2



III. 6: version 3

Caution: Do not overload or climb the equipment!



Maintenance and care instructions

Instructions:

Carry out a visual check at regular intervals. Due to our continuous quality control of the products, technical changes may occur which may lead to slight deviations in the instructions. Check at regular intervals that the screw connections are tight. Check the equipment for possible damage and replace worn-out parts.

The storage trolley is designed for its intended use only.

We are happy to answer any questions you may have.

Your **Sport-Thieme** Team