

Prod. code: 117 3505; 117 3589 and 115 8104; 115 8159; 117 3550; 117 6201 and 117 3563; 117 6214; 114 0301

### Assembly instructions for the 'Fair Play' basketball unit

Thank you very much for choosing a Sport-Thieme product. Please read the instructions fully before you assemble the equipment so you can enjoy the product and its guaranteed safety:



### Parts list\*

Pos.	Amount	Description	Prod. code
1	1	Ground socket	117 3521
2	1	Post	117 3518
3	1	Regupol intermediate layer	
4a	1	Basketball backboard; aluminium section	117 3707
4b	1	Basketball backboard, steel wire mesh	116 4608
5a	1	'Outdoor' basketball hoop	117 3909
5b	1	'Outdoor, collapsible' basketball hoop	116 0606
6	1	Chain net	117 4003
7	4	M10 x 70 machine bolt	} 117 3534
8	10	Washer, ø 11	
9	4	M10 locking nut	
10	1	Height adjustment	114 0301
11	10	M10 x 35 machine bolt	} 114 0314
12	20	Washer, ø 11	
13	10	M10 locking nut	
14	1	Connecting rod for basketball board	114 0314

\* Overview for all designs

Prod. code: 117 3505; 117 3589 and 115 8104; 115  
8159; 117 3550; 117 6201 and 117 3563; 117  
6214; 114 0301

38367 Grasleben / Germany

Telephone: +49 (0)53 57/181 81

[www.sport-thieme.com](http://www.sport-thieme.com)

**1.a Product code 117 3505; without height adjustment, aluminium board and hoop 117 3909**

**1.b Product code 117 3589; without height adjustment, aluminium board and hoop 116 0606**

- 1. Insert the ground socket (1)** into the concrete foundation (rounded at top as shown; 1 m x 1 m x 1 m), **flush at the top** (see illustration 4). Place the ground socket at a right angle to the line markings. The ground socket must be tilted backwards by 4-5 mm to offset the top-heavy slant of the equipment. To lengthen the lifespan of your equipment, rainwater should be able to drain away. This is possible via a drainage channel beneath the ground socket or via a conduit set into the foundation. (Assembly drawing, see illustration 4).
- 2.** Allow approx. 2 weeks for the foundation (with minimum concrete quality of C20/25) to harden.
- 3.** After hardening, the basketball post (2) can then be inserted into the socket.
- 4.** Using the M 10x70 machine bolts, nuts and washers (7; 8; 9), screw on the basketball board (4a; 4b) and hoop (5a; 5b) as per illustration 1 (version a: screw together from the front; version b: from the back). The Regupol intermediate layer (3) serves as damping between the mounting plate (attached to the post) and the basketball board. Insert the washers included, as indicated in illustration 1, between the hoop and board. The bottom edge of the hoop's mounting plate (5) is flush with the upper edge of the backboard's aluminium bar (4a).
- 5.** Using the S-hook, hook the chain net (6) to the basketball hoop's eyelets (5a); bend the S-hook. For the basketball hoop (5b), use steel wire and tubes to attach the chain net (6).
- 6.** For safety reasons, the post protection pad (product code 116 1726) is recommended for both pieces of equipment.
- 7. Maintenance instruction:** an annual inspection should be carried out on the equipment by a specialist company.
- 8. Warning:**  
**This piece of equipment is not designed to be abused.**  
**Do not climb on the equipment!**  
**For fixed hoop 117 3909: do not attach to the ring!**

Prod. code: 117 3505; 117 3589 and 115 8104; 115 8159; 117 3550; 117 6201 and 117 3563; 117 6214; 114 0301

38367 Grasleben / Germany  
Telephone: +49 (0)53 57/181 81  
[www.sport-thieme.com](http://www.sport-thieme.com)

**2.a Product code 115 8104; without height adjustment, mesh board and hoop 117 3909**

**2.b Product code 115 8159; without height adjustment, mesh board and hoop 116 0606**

In terms of its construction, the equipment is identical to the unit described on the first page (117 3505 and 117 3589). A particularly low-noise backboard (4b) made from galvanised steel wire mesh is used here.

We recommend this board for fun and games in residential areas. For safety reasons, the post protection pad (product code 116 1726) is recommended for both pieces of equipment.

The difference in installation is that the washers (8) may not be required.

See illustration 1 for installation.

**3.a Product code 117 3550; with height adjustment, aluminium board and hoop 117 3909**

**3.b Product code 117 6201; with height adjustment, aluminium board and hoop 116 0606**

Post and foundation are identical to the first and second units described.

In contrast to both of the aforementioned basketball units, this basketball board can be lowered to 2.60 m from the standard playing height of 3.05 m. A connecting rod allows the board to be lowered using a threaded rod and two guide posts.

The adjuster comes fully assembled and is screwed to the steel plate on the basketball post, as per illustration 2. The construction is supported by the basketball post at the back.

Clasp the sloping arm of the basketball post with the clamp halves (flat steel, 50 x 5) provided. Ensure that the connecting plate is pointing downwards. Now insert the diagonal strut between the clamp and the underside of the adjuster. Position the unit in such a way that the adjuster hangs vertically and screw it in tightly.

Next, screw the aluminium board, Regupol intermediate layer and hoop to the front side of the adjuster. Please use the screw dimensions from illustration 3.

For safety reasons, a padded protective bracket has been fitted to the underside (see page 6). In addition, we recommend post protection pad 116 1726.

**Ensure that the basketball board extends 300 mm into the court.**

Prod. code: 117 3505; 117 3589 and 115 8104; 115 38367 Grasleben / Germany  
8159; 117 3550; 117 6201 and 117 3563; 117 Telephone: +49 (0)53 57/181 81  
6214; 114 0301 [www.sport-thieme.com](http://www.sport-thieme.com)

**4.a Product code 117 3563; with height adjustment, mesh board and hoop 117 3909**

**4.b Product code 117 6214; with height adjustment, mesh board and hoop 116 0606**

In terms of its construction, the equipment is identical to the units described on the previous pages (117 3550 and 117 6201).

A particularly low-noise backboard (4b) made from galvanised steel wire mesh is used here.

We recommend this board for fun and games in residential areas.

For safety reasons, the post protection pad (product code 116 1726) is recommended for both pieces of equipment.

The difference in installation is that the washers (8) may not be required (see illustration 2).

**Ensure that the basketball board extends 300 mm into the court.**

**5. Product code 114 0301; height adjustment**

This is a height-adjustable retrofit kit.

It can be attached to the basketball post after the basketball board has been disassembled.

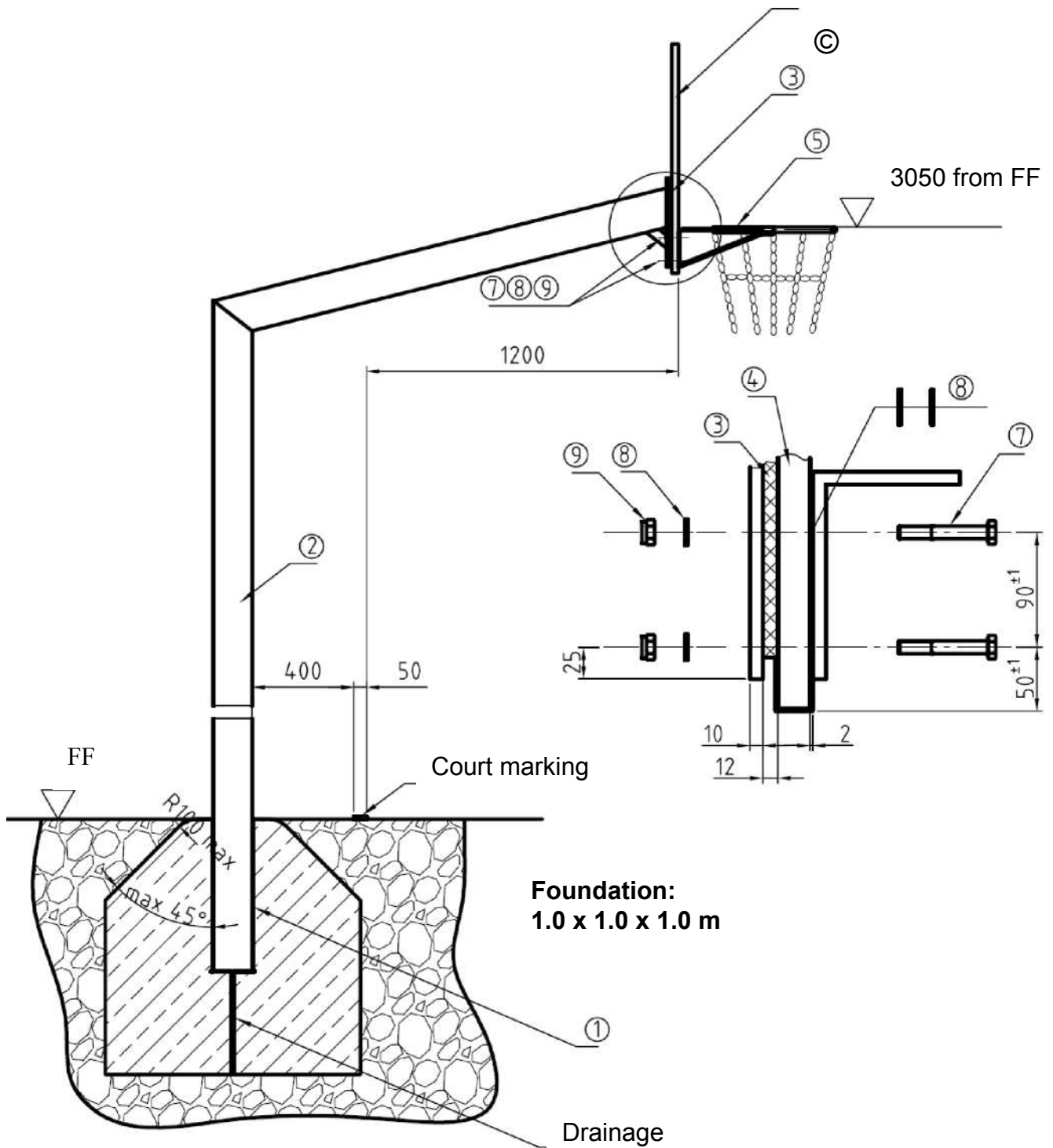
Install the Regupol intermediate layer, the correct basketball board and hoop to the front side of the adjustment, as described in position 3 or 4 (see illustrations 2 and 3).

**Ensure that the basketball board extends approx. 300 mm into the court.**

For safety reasons, a padded protective bracket has been fitted to the underside (see illustrations 3 and 4). In addition, we recommend post protection pad 116 1726.

Prod. code: 117 3505; 117 3589 and 115 8104; 115 8159; 117 3550; 117 6201 and 117 3563; 117 6214; 114 0301

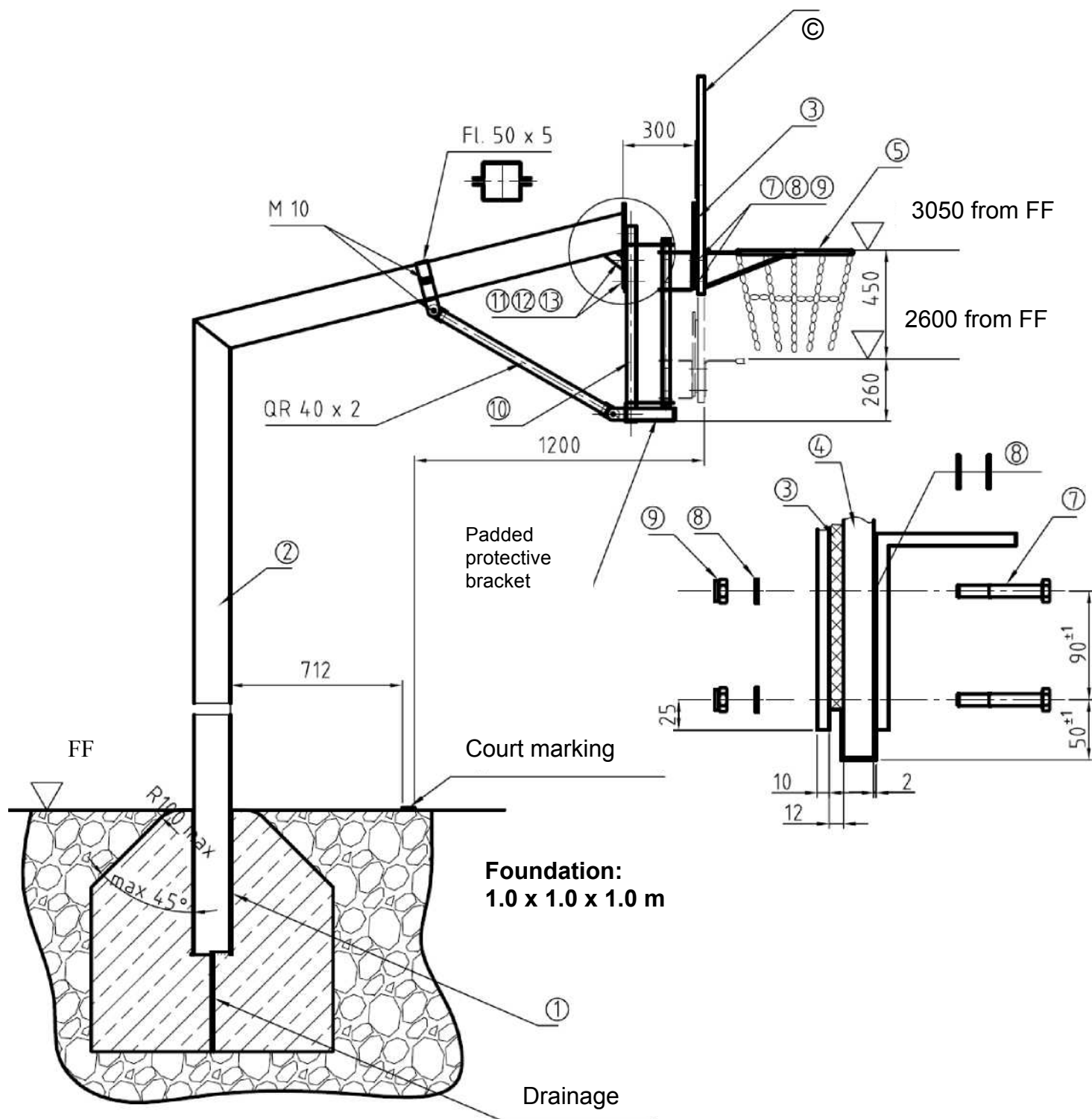
38367 Grasleben / Germany  
 Telephone: +49 (0)53 57/181 81  
[www.sport-thieme.com](http://www.sport-thieme.com)



**Illustration 1: 'Fair Play' unit without height adjustment**

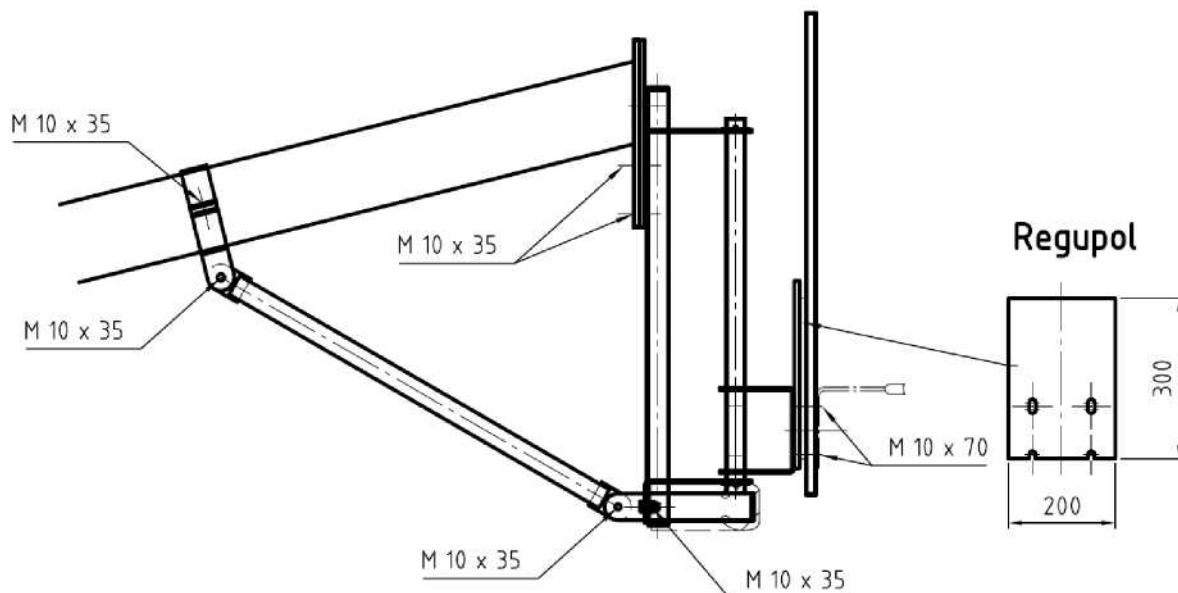
Prod. code: 117 3505; 117 3589 and 115 8104; 115 8159; 117 3550; 117 6201 and 117 3563; 117 6214; 114 0301

38367 Grasleben / Germany  
 Telephone: +49 (0)53 57/181 81  
[www.sport-thieme.com](http://www.sport-thieme.com)

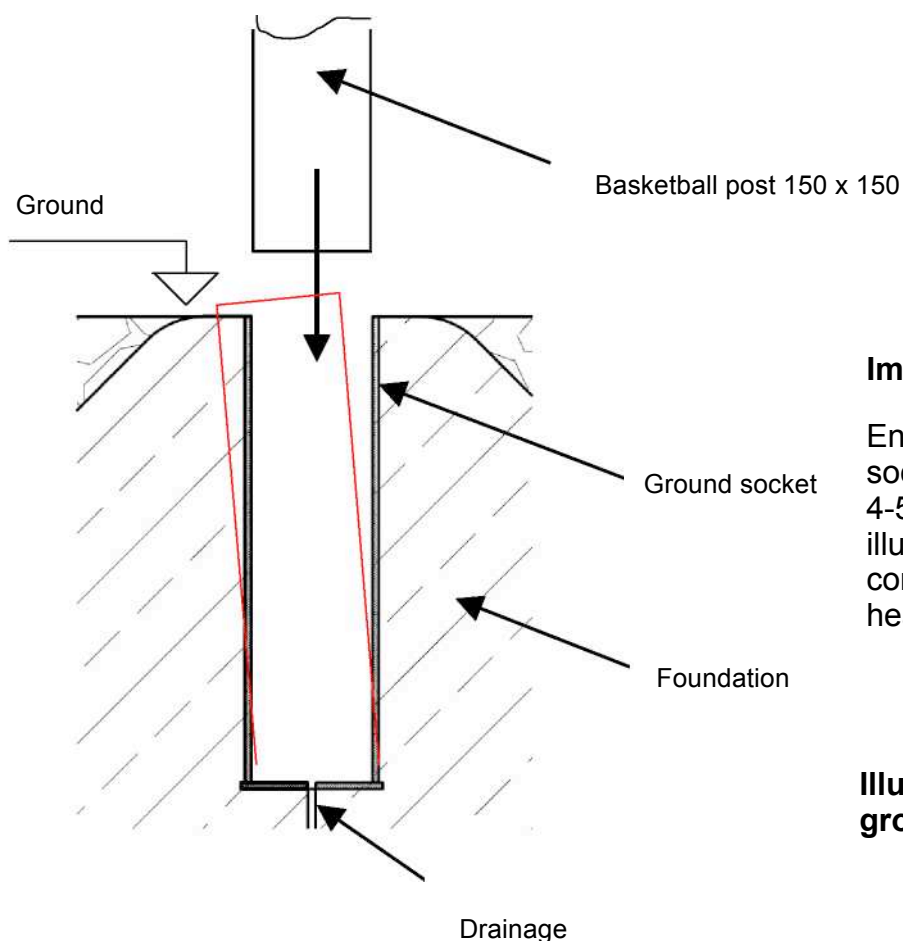


**Illustration 2: 'Fair Play' unit with height adjustment**

Prod. code: 117 3505; 117 3589 and 115 8104; 115 8159; 117 3550; 117 6201 and 117 3563; 117 6214; 114 0301



**Illustration 3: installation of height adjustment (bolt size)**



**Important!**

Ensure that the ground socket tilts backwards by 4-5 mm, as per the illustration opposite. This compensates for the top-heaviness of the unit.

**Illustration 4: ground socket**

Prod. code: 117 3505; 117 3589 and 115 8104; 115 8159; 117 3550; 117 6201 and 117 3563; 117 6214; 114 0301

## Drilling holes diagram

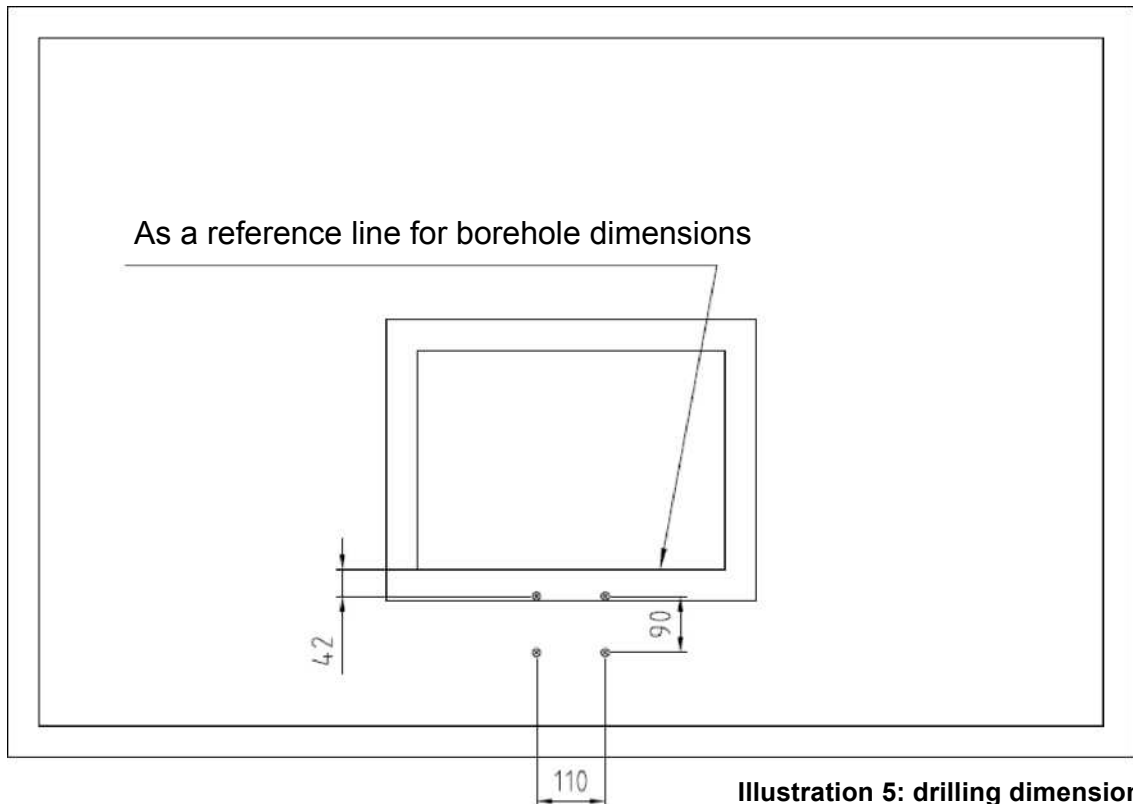


Illustration 5: drilling dimensions

### Instructions:

The holes, as shown in illustration 5, are for our 120 x 90 cm aluminium backboard.

*(Product code: 117 3707)*

- Use the upper edge of the lower hoop marking horizontal line as a reference line for measuring the holes!
- Please keep a distance of 42 mm from this edge to both upper holes and drill the holes at a distance of 110 x 90 mm



Prod. code: 117 3505; 117 3589 and 115 8104; 115  
8159; 117 3550; 117 6201 and 117 3563; 117  
6214; 114 0301

**Caution: Do not overload or climb the equipment!**



### **Maintenance and care instructions**

**Instructions:**

Carry out a visual check at regular intervals.

Due to our continuous quality control of the products, technical changes may occur which may lead to slight deviations in the instructions.

Check at regular intervals that the bolts are tight.

Check the equipment for possible damage and replace worn-out parts. Ensure that moveable parts are free-moving.

We are happy to answer any questions you may have.

Your **Sport-Thieme** Team