



Art.Nr. 2889203





3	ENGLISH
17	DEUTSCH
32	NEDERLANDS
47	FRANÇAIS
62	ESPAÑOL
77	POLSKI
92	PORTUGUÊS
107	РУССКИЙ
122	日本語
137	ةيبرعلا

# IMPORTANT PRECAUTIONS

## SAVE THESE INSTRUCTIONS

- When using a treadmill, basic precautions should always be followed, including the following: Read all instructions before using this equipment. It is the responsibility of the owner to ensure that all users of this equipment are adequately informed of all warnings and precautions.
- This equipment is intended for commercial use. To ensure your safety and protect the equipment, read all instructions before operating.

## DANGER!

### TO REDUCE THE RISK OF ELECTRICAL SHOCK:

- Always unplug the equipment from the electrical outlet immediately after using, before cleaning, performing maintenance and putting on or taking off parts.

## WARNING!

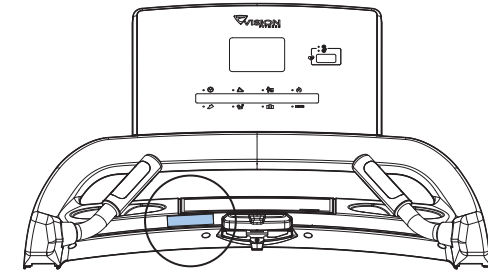
### TO REDUCE THE RISK OF BURNS, FIRE, ELECTRICAL SHOCK OR INJURY TO PERSONS:

- Incorrect or excessive exercise may cause injury. If you experience any kind of pain, including but not limited to chest pains, nausea, dizziness, or shortness of breath, stop exercising immediately and consult your physician before continuing.
- When exercising, always maintain a comfortable pace.
- Do not wear clothes that might catch on any part of the treadmill.
- User must wear proper footwear (i.e. athletic shoes) when using this exercise device.
- Do not jump on the treadmill.
- At no time should more than one person be on treadmill while in operation.
- This treadmill should not be used by persons weighing more than specified in the OWNER'S MANUAL SPECIFICATIONS SECTION. Failure to comply will void the warranty.
- Disconnect all power before servicing or moving the equipment.
- To clean, wipe surfaces down with soap and slightly damp cloth only; never use solvents. (See MAINTENANCE)
- Unplug from outlet when not in use, and before putting on or taking off parts.
- Connect this exercise product to a properly grounded outlet only.
- Do not remove the protected covers unless instructed by Professional and your local dealer. Service should only be done by an authorized service technician
- Installation of parts or accessories not originally intended or compatible with the equipment as sold will void warranty and may impact safety.
- Measured at typical head height, the A-weighted sound pressure level when the Treadmill is running at 12 Km/Hour (without load) is no greater than 70 dB.
- Noise emission under load is higher than without load.
- At NO time should pets or children under the age of 14 be closer to the treadmill than 10 feet.
- At NO time should children under the age of 14 use the treadmill.
- Children over the age of 14 should not use the treadmill without adult supervision.
- This equipment is not intended for use by persons with reduced physical, sensory or mental capabilities, or lack of experience and knowledge, unless they have been given supervision or instruction concerning use of the equipment by a person responsible for their safety.
- Use the treadmill only for its intended use as described in owner's manual.
- Never operate the treadmill if it has a damaged cord or plug, if it is not working properly, if it has been dropped or damaged, or immersed in water. Call Customer Tech Support for examination and repair.
- To avoid the risk of electric shock, this piece of equipment must only be connected to a circuit with non-looped (isolated) ground.
- Keep power cord away from heated surfaces. Do not carry this unit by its supply cord or use the cord as a handle.

## CAUTION!

### CONSULT A PHYSICIAN BEFORE USING THIS EQUIPMENT. READ OWNER'S MANUAL BEFORE USE.

- It is essential that this equipment is used only indoors, in a climate controlled room. If this equipment has been exposed to colder temperatures or high moisture climates, it is strongly recommended that the equipment is warmed up to room temperature before first time use. Failure to do so may cause premature electronic failure. The initial (default) starting speed is 0.5 mph (0.8 kph). The default starting speed set too high can be dangerous.



PLACE WARNING LABEL HERE





## POWER REQUIREMENTS

### DEDICATED CIRCUIT AND ELECTRICAL INFO

A "Dedicated Circuit" means that each outlet you plug into should not have anything else running on that same circuit. The easiest way to verify this is to locate the main circuit breaker box, and turn off the breaker(s) one at a time. Once a breaker has been turned off, the only thing that should not have power to it are the units in question. No lamps, vending machines, fans, sound systems, or any other item should lose power when you perform this test. Non-looped (isolated) neutral/grounding means that each circuit must have an individual neutral/ground connection coming from it, and terminating at an approved earth ground. You cannot "jumper" a single neutral/ground from one circuit to the next.

### ELECTRICAL REQUIREMENTS

For your safety and to ensure good treadmill performance, the ground on this circuit must be non-looped (isolated). Please refer to NEC article 210-21 and 210-23. Your treadmill is provided with a power cord with a plug listed below and requires the listed outlet. Any alterations of this power cord could void all warranties of this product.

### 220 V UNITS

All Vision 220 V treadmills require the use of a 216-250 V, 50 Hz and a 20 A "Dedicated Circuit", with a non-looped (isolated) neutral/ground for power. This outlet should be a NEMA 6-20R and have the same configuration as the plug. No adapter should be used with this product.

### GROUNDING INSTRUCTIONS

The equipment must be grounded. If it should malfunction or breakdown, grounding provides a path of least resistance for electric current to reduce the risk of electric shock. The unit is equipped with a cord having an equipment-grounding conductor and a grounding plug. The plug must be plugged into an appropriate outlet that is properly installed and grounded in accordance with all local codes and ordinances. If the user does not follow these grounding instructions, the user could void the Vision limited warranty.

### ADDITIONAL ELECTRICAL INFO

In addition to the dedicated circuit requirement, the proper gauge wire must be used from the circuit breaker box, to each outlet that will have the maximum number of units running off of it. If the distance from the circuit breaker box to each outlet, is 100 ft (30.5 m) or less, then 12 gauge wire should be used. For distances greater than 100 ft (30.5 m) from the circuit breaker box to the outlet, a 10 gauge wire should be used.

### ENERGY SAVING / LOW-POWER MODE

All units are configured with the ability to enter into an energy saving / low-power mode when the unit has not been in use for a specified period of time. Additional time may be required to fully reactivate this unit once it has entered the low-power mode. This energy saving feature may be enabled or disabled from within the 'Manager Mode' or 'Engineering Mode'.

### WARNING!

Connect this exercise product to a properly grounded outlet only.

- Never operate product with a damaged cord or plug even if it is working properly. Never operate any product if it appears damaged, or has been immersed in water. Contact Customer Tech Support for replacement or repair.

Failure to follow these specifications can cause damage to your product and can void the warranty:

- All video and power outlets must be functional the day of delivery / assembly of the product. The client is responsible for any additional installation charges associated with return visits.
- Electrical supply may fluctuate in your area. To ensure stable performance of the product, use the proper gauge wire.

### DANGER!

Improper connection of the equipment-grounding conductor can result in a risk of electric shock. Check with a qualified electrician or serviceman if you are in doubt as to whether the product is properly grounded. Do not modify the plug provided with the product. If it will not fit the outlet, have a proper outlet installed by a qualified electrician.





# ASSEMBLY

## UNPACKING

Unpack the equipment where you will be using it. Place the carton on a level flat surface. It is recommended that you place a protective covering on your floor. Never open box when it is on its side.

## IMPORTANT NOTES

During each assembly step, ensure that ALL nuts and bolts are in place and partially threaded. Several parts have been pre-lubricated to aid in assembly and usage. Please do not wipe this off. If you have difficulty, a light application of lithium grease is recommended.

## WARNING!

There are several areas during the assembly process that special attention must be paid. It is very important to follow the assembly instructions correctly and to make sure all parts are firmly tightened. If the assembly instructions are not followed correctly, the equipment could have parts that are not tightened and will seem loose and may cause irritating noises. To prevent damage to the equipment, the assembly instructions must be reviewed and corrective actions should be taken.

## NEED HELP?

If you have questions or if there are any missing parts, contact Customer Tech Support. Visit [world.visionfitness.com](http://world.visionfitness.com) for contact information.

## TOOLS REQUIRED:

- 8mm T-Wrench
- 8mm Allen Wrench
- 6mm Allen Wrench
- Phillips Screwdriver

## PARTS INCLUDED:

- 1 Base Frame
- 1 Console base set
- 1 Console Assembly
- 2 Console Masts
- 2 Handlebars
- 1 Power Cord
- 1 Hardware Kit



1

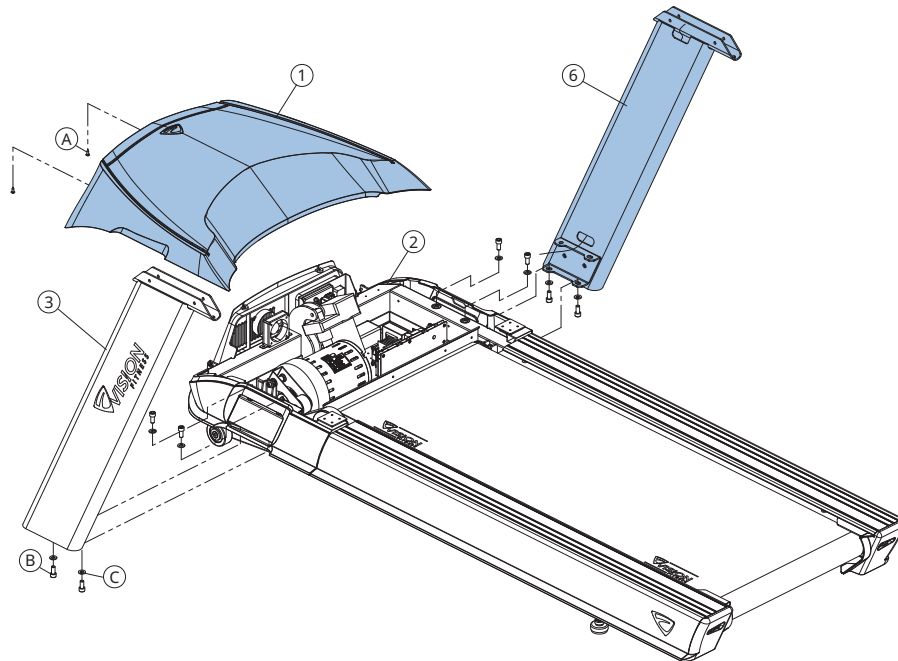
**IMPORTANT: Do not tighten bolts until step 3 is complete.**

- Remove 2 pre-installed screws (A) and detach **MOTOR COVER (1)**.
- Open **HARDWARE FOR STEP 1**.
- Attach **LEFT CONSOLE MAST (3)** to **BASE FRAME (2)** using **4 BOLTS (B)** and **4 FLAT WASHERS (C)** from the top and bottom.
- Attach **RIGHT CONSOLE MAST (6)** to **BASE FRAME (2)** using **4 BOLTS (B)** and **4 FLAT WASHERS (C)** from the top and bottom.

NOTE: Be careful not to pinch wires while attaching the handlebar.

**Hardware For Step 1**

Description	Qty
A Pre-installed Screw	2
B Bolt	8
C Flat Washer	8

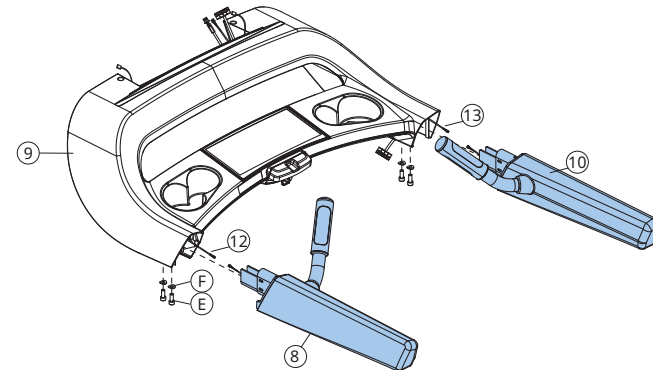


2

- Open **HARDWARE FOR STEP 2**.
- Connect the **HEART RATE GRIP WIRE (12)**, discard the wire tie, and tuck the cables inside the **LEFT HANDLE BAR (8)** and slide into the **CONSOLE BASE (9)**.
- Connect the **HEART RATE GRIP WIRE (13)**, discard the wire tie, and tuck the cables inside the **RIGHT HANDLE BAR (10)** and slide into the **CONSOLE BASE (9)**.
- Attach **HANDLEBARS (8 & 10)** to **CONSOLE BASE (9)** using **4 BOLTS (E)** and **4 CURVED WASHERS (F)**.

**Hardware For Step 2**

Description	Qty
E Bolt	4
F Arc Washer	4

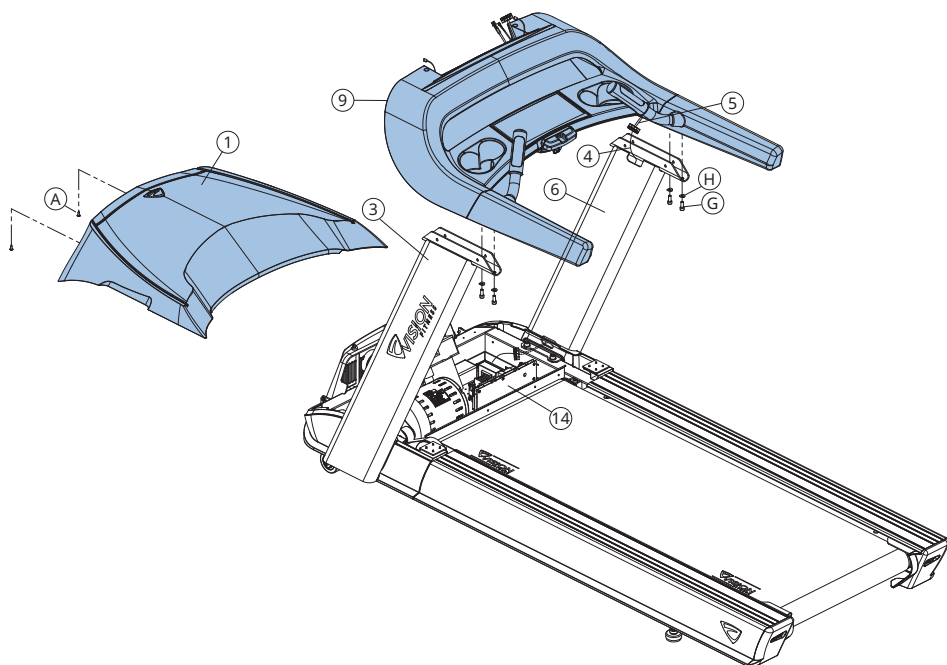


# 3

- Open **HARDWARE FOR STEP 3**.
- Attach **LEAD WIRE (4)** to **CONSOLE CABLE (5)** and pull lead wire through **RIGHT CONSOLE MAST (6)**. After pulling the lead wire through the mast, the top of the console cable should be connected to the **MCB (14)**. Detach and discard lead wire.
- Attach **CONSOLE BASE (9)** to **CONSOLE MASTS (3 & 6)** using **4 BOLTS (G)**, and **4 CURVED WASHERS (H)**.
- Tighten all bolts from steps 1-3.
- Install **MOTOR COVER (1)** using 2 pre-installed **SCREWS (A)**.

### Hardware For Step 3

Description	Qty
G Bolt	4
H Arc Washer	4

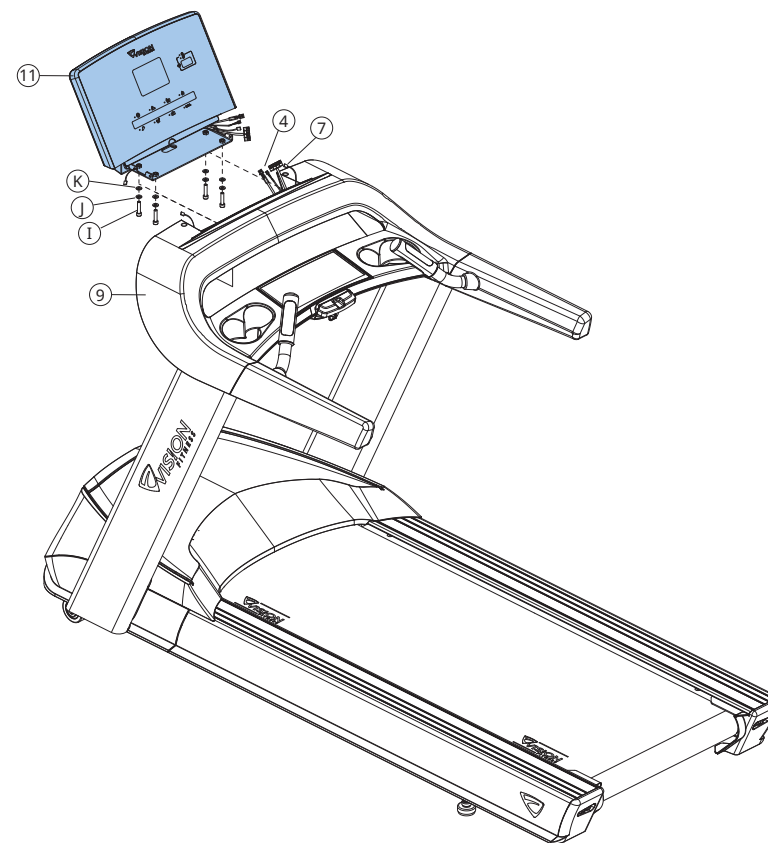


# 4

- Open **HARDWARE FOR STEP 4**
- Connect the **CONSOLE CABLES (4)** and **HEART RATE WIRES (7)** to the **CONSOLE (11)** and carefully tuck the excess cable into the **CONSOLE BASE (9)**.
- Attach the **CONSOLE (11)** to the **CONSOLE BASE (9)** using **4 BOLTS (I)** and **4 SPRING WASHERS (J)** and **4 FLAT WASHERS (K)**.

### Hardware For Step 4

Description	Qty
I Bolt	4
J Spring Washer	4
K Flat Washer	4





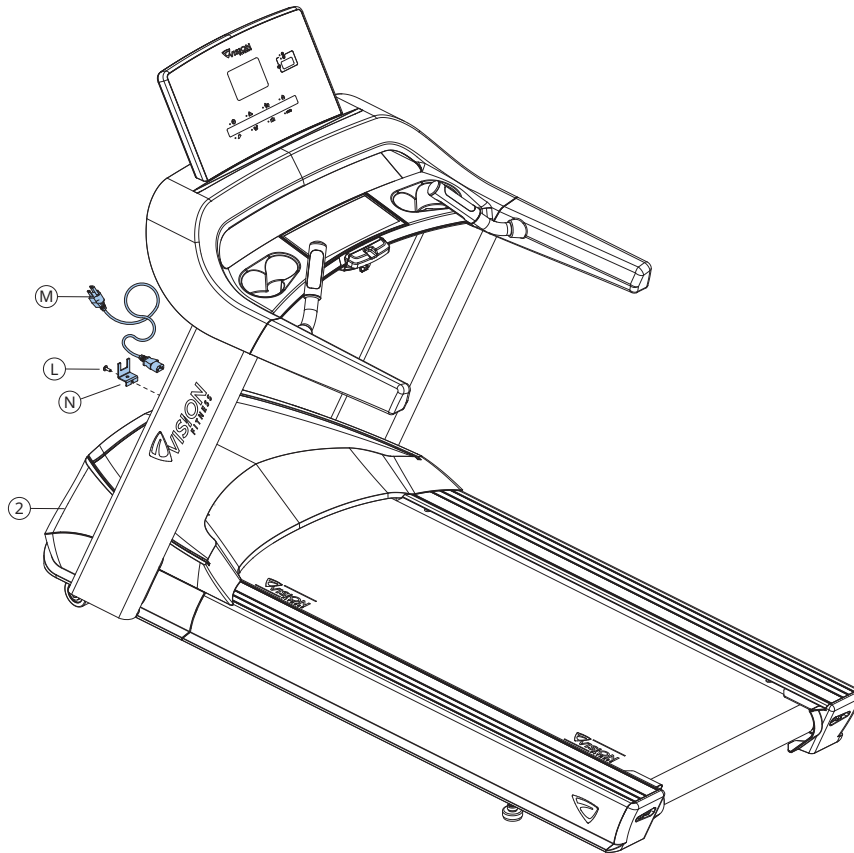
5

- Install the **POWER CORD (M)** to the **BASE FRAME (2)**.
- Install the **POWER CORD RETAINING PLATE (N)** to the **BASE FREAME (2)** using **1 SCREW (L)**.

Hardware For Step 5

Description	Qty
L Screw	1
M Power Cord	1
N Power Cord Retaining Plate	1

**ASSEMBLY COMPLETE!**















## PROGRAM INFORMATION

ENGLISH

PROGRAM		DESCRIPTION	DEFAULT TIME	PROMPT INPUT	PROGRAM CONTROL
 QUICK START		Quick Start is the fastest way to begin exercising and bypasses the setup prompts. After pressing  , a constant-level workout begins, and the speed and incline do not change automatically.	N/A	N/A	N/A
 MANUAL		Manual is a constant effort workout in which the user can change incline or speed at any time.	20:00	Time, Weight	N/A
 INTERVAL		Interval is periods of intense aerobic exercise separated by regular periods of lower-intensity exercise. At any point during the workout, the user can change the settings of the current speed.	20:00	Level, Time, Weight	Elevation
 GOAL+	TIME	This workout sets duration as the workout goal. Once the duration objective is met, the workout goes into a cool-down phase.	20:00	Time, Start Incline, Start Speed, Weight	N/A
	DISTANCE	This workout is designed to build endurance in a certain distance. Once the objective is met, the workout automatically goes into a cool-down phase, and ends afterward.	N/A	Distance, Start Incline, Start Speed, Weight	N/A
	CALORIES	This workout is designed to burn a certain number of calories in the selected time duration. Once the objective is met, the workout automatically goes into a cool-down phase, and ends afterward.	N/A	Calories, Start Incline, Weight	N/A
 RANDOM		Random creates a random terrain pattern of hills and valleys that varies with each workout.	20:00	Time, Weight	Elevation
 HEART RATE+	TARGET HR	Target HR is a higher intensity workout for more fit users , emphasizing cardiovascular benefits. The user must wear a heart rate chest strip, or keep hands on contact heart rate grips continuously. The program adjusts the intensity level, based on the actual heart rate, to maintain the rate at 80 percent of the theoretical maximum.	20:00	Age, Heart Rate, HR Control, Max. Speed or Max. Incline, Time, Weight	Speed or Elevation
	WEIGHT LOSS	Weight Loss is a low-intensity workout for burning the body's fat reserves. The user must wear a heart rate chest strip, or keep hands on contact heart rate grips continuously. The program adjusts the intensity level, based on the actual heart rate, to maintain the rate at 65 percent of the theoretical maximum. And use Body Mass Index (BMI) to measure your body composition.	20:00	Age, Heart Rate, HR Control, Max. Speed or Max. Incline, Time, Weight, Height	Speed or Elevation
 FITNESS TEST		Vision treadmill offers fitness tests-the Gerkin firefighter protocol, the Gerkin protocol was developed by Dr. Richard Gerkin of the Phoenix (Arizona) Fire Department. It is a sub-maximal graded treadmill evaluation used by many Fire Departments across the United States to assess the physical condition of the firefighters. The test requires constant monitoring of the user's heart rate so the use of a telemetric chest strap is highly encouraged.	N/A	N/A	N/A

# PROGRAMS CHARTS

## FITNESS TEST - GERKIN

Stage	Total Time	Speed MPH	Incline %	Predicted VO2 max (ml/kg/min)	Predicted VO2 max METS
0 (warm-up)	1:00	3.0	0	13.3	3.3
	2:00	3.0	0	13.3	3.3
	3:00	3.0	0	13.3	3.3
1	3:30	4.5	0	15.3	4.4
	4:00	4.5	0	17.4	5.0
2	4:30	4.5	2	19.4	5.5
	5:00	4.5	2	21.5	6.1
3	5:30	5.0	2	23.6	6.7
	6:00	5.0	2	27.6	7.9
4	6:30	5.0	4	28.7	8.2
	7:00	5.0	4	29.8	8.5
5	7:30	5.5	4	31.2	8.9
	8:00	5.5	4	32.7	9.3
6	8:30	5.5	6	33.9	9.7
	9:00	5.5	6	35.1	10.0
7	9:30	6.0	6	36.6	10.5
	10:00	6.0	6	38.2	10.9
8	10:30	6.0	8	39.5	11.3
	11:00	6.0	8	40.9	11.6
9	11:30	6.5	8	42.6	12.2
	12:00	6.5	8	44.3	12.7
10	12:30	6.5	10	45.7	13.1
	13:00	6.5	10	47.2	13.5
11	13:30	7.0	10	49.0	14.0
	14:00	7.0	10	50.8	14.5
12	14:30	7.0	12	52.3	14.9
	15:00	7.0	12	53.9	15.4
13	15:30	7.5	12	55.8	15.9
	16:00	7.5	12	57.8	16.5
14	16:30	7.5	14	59.5	17.0
	17:00	7.5	14	61.2	17.5
15	17:30	8.0	14	63.2	18.1
	18:00	8.0	14	65.3	18.7

## INTERVALS

SEGMENT	1	2	3	4	5	6	7	8	9	10	11	12	13	14
LEVEL	INCLINE													
L1	1	1	2	1	2	1	3	1	2	1	2	1	1	1
L2	1	2	3	1	3	1	3	1	3	1	3	2	1	1
L3	1	2	3	1	3	1	4	1	3	1	3	2	1	1
L4	1	3	4	1	4	1	5	1	4	1	4	3	1	1
L5	2	3	5	2	5	2	5	2	5	2	5	3	2	2
L6	2	4	5	2	5	2	6	2	5	2	5	4	2	2
L7	2	4	6	2	6	2	7	2	6	2	6	4	2	2
L8	3	5	7	3	7	3	8	3	7	3	7	5	3	3
L9	3	5	8	3	8	3	9	3	8	3	8	5	3	3
L10	3	6	9	3	9	3	10	3	9	3	9	6	3	3

Random program map information is come from interval table.

VO2 max (ml/kg/min)		FEMALES				MALES			
TEST RESULT	PERCENTILE	20-29	30-39	40-49	50-59	20-29	30-39	40-49	50-59
SUPERIOR	99	>53.0	>48.7	>46.8	>42.0	>58.8	>58.9	>55.4	>52.5
	95	46.8	43.9	41.0	36.8	54.0	52.5	50.4	47.1
EXCELIENT	90	44.2	41.0	39.5	35.2	51.4	50.3	48.2	45.3
	80	41.0	38.6	36.3	32.3	48.2	46.8	44.1	41.0
GOOD	70	38.1	36.7	33.8	30.9	46.8	44.6	41.8	38.5
	60	36.7	34.6	32.3	29.4	44.2	42.4	39.9	36.7
FAIR	50	35.2	33.8	30.9	28.2	42.5	41.0	38.1	35.2
	40	33.8	32.3	29.5	26.9	41.0	38.9	36.7	33.8
POOR	30	32.3	30.5	28.3	25.5	39.5	37.4	35.1	32.3
	20	30.6	28.7	26.5	24.3	37.1	35.4	33.0	30.2
VERY POOR	10	28.3	26.5	25.1	22.3	34.5	32.5	30.9	28.0
	5	25.9	25.1	23.5	21.1	31.6	30.9	28.3	25.1

### 1. During the test

**1.1** If the STOP key is pressed, the instrument will terminate the test and display "TEST TERMINATED".

**1.2** When HR(heart rate) > THR(target heart rate) exceeds 15 seconds or completes 18 minute tests, the machine will enter the "COOL DOWN" state to end all test actions and display the test results.

**1.3** When WARM UP is finished, if the heart rate is not detected, the instrument will show "HEART RATE LOST GRIP SENSORS". If more than 20 seconds, the heart rate is still not detected. The machine will terminate the test and enter the COOL DOWN state, and then show "TEST TERMINATED".

### 2. Test results:

Total Time / Calories / Stage Number / Test Level

### 3. THR = (220 - AGE) x 0.85







## GETTING STARTED

- 1) Check to make sure no objects are placed on the belt that will hinder the movement of the treadmill.
- 2) Plug in the power cord and turn the treadmill ON.
- 3) Stand on the side rails of the treadmill.
- 4) Attach the safety key clip to part of your clothing making sure that it is secure and will not become detached during operation.

### A) QUICK START

Simply press ► to begin working out. Time will count up from 0:00. The workout begins at the lowest incline and speed.

### B) SELECT A PROGRAM

- 1) Select a program using the **PROGRAM KEYS** and press ✓.
- 2) Follow the prompts on the **INSTRUCTION CENTER** to set workout program information using ▲▼ or the **NUMBER KEYPAD**. Press ✓ after each selection.
- 3) Press ► to begin workout.

NOTE: You can adjust the speed and incline levels during your workout.

### C) FINISHING YOUR WORKOUT

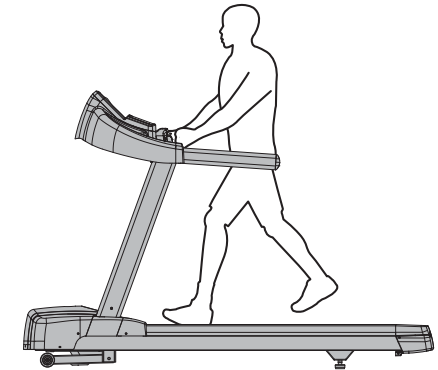
When your workout is complete, your workout information will be displayed on the console.

### TO CLEAR CURRENT SELECTION

To clear the current program selection or screen, press and hold **STOP** ■ for 3 seconds.

## PROPER USAGE

Position your feet on the belt, bend your arms slightly and grasp the heart rate sensors (as shown). While running, your feet should be located in the center of the belt so that your hands can swing naturally and without contacting the front handlebars.



Your treadmill is capable of reaching high speeds. Always start off using a slower speed and adjust the speed in small increments to reach a higher speed level. Never leave the treadmill unattended while it is running. When not in use turn the on/off switch to off and unplug the power cord. Make sure to follow the MAINTENANCE schedule in this guide to maintain optimal performance and prevent premature electronic failure. Keep your body and head facing forward. Do not attempt to turn around or look backwards while the treadmill is running. Stop your workout immediately if you feel pain, faint, dizzy or are short of breath.

# BEFORE YOU BEGIN

## LOCATION OF THE TREADMILL

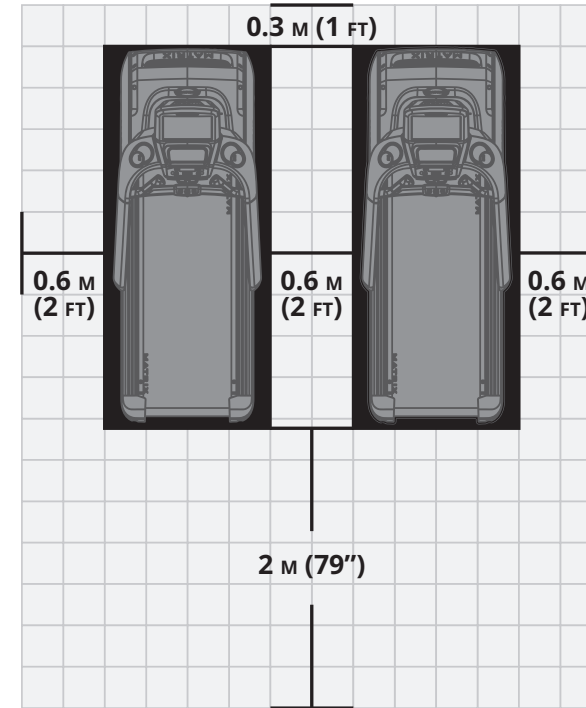
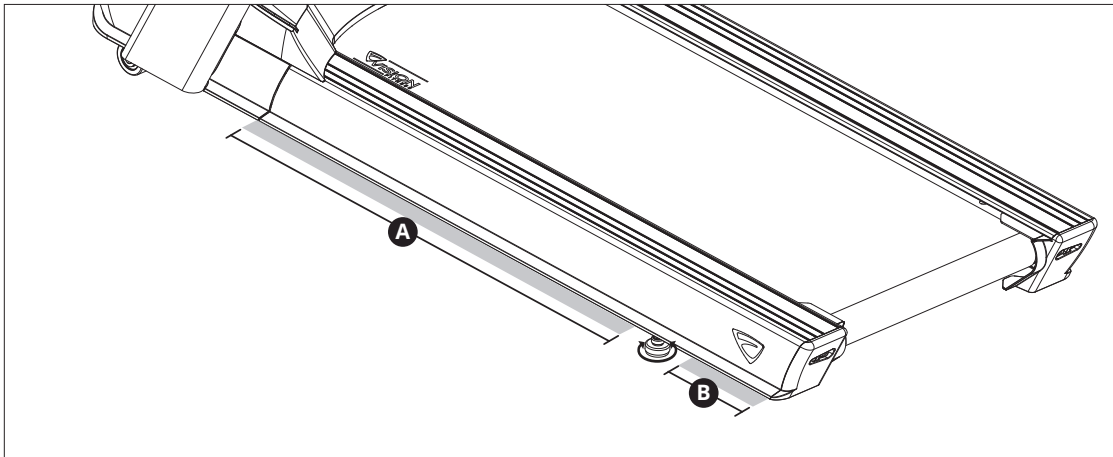
Place the equipment on a level and stable surface away from direct sunlight. The intense UV light can cause discoloration on the plastics. Locate the equipment in an area with cool temperatures and low humidity. Please leave a clear zone behind the treadmill that is at least the width of the treadmill and at least 79" (2 meters) long. This zone must be clear of any obstruction and provide the user a clear exit path from the machine. For ease of access, there should be an accessible space on both sides of the treadmill of at least 24" (0.6 meters) to allow a user access to the treadmill from either side. Do not place the treadmill in any area that will block any vent or air openings. The treadmill should not be located in a garage, covered patio, near water or outdoors.

## LEVELING THE TREADMILL

It is extremely important that the levelers are correctly adjusted for proper operation. Turn leveling foot clockwise to lower and counter-clockwise to raise treadmill. Adjust each side as needed until the treadmill is level. An unbalanced unit may cause belt misalignment or other issues. Use of a level is recommended.

## MOVING THE TREADMILL

To avoid damaging parts when moving the treadmill, only lift from areas **A** or **B** as shown in the image.



## WARNING!

Our equipment is heavy, use care and additional help if necessary when moving. Failure to follow these instructions could result in injury. Never operate equipment if it has a damaged cord or plug, if it is not working properly, if it has been damaged, or immersed in water. Contact Customer Tech Support for examination and repair.





## TENSIONING THE RUNNING BELT

After placing the treadmill in the position it will be used, the belt must be checked for proper tension and centering. The belt might need to be adjusted after the first two hours of use. Temperature, humidity, and use cause the belt to stretch at different rates. If the belt starts to slip when a user is on it, be sure to follow the directions below.

- 1) Locate the two hex head bolts on the rear of the treadmill. The bolts are located at each end of the frame at the back of the treadmill. These bolts adjust the rear belt roller. Do not adjust until the treadmill is on. This will prevent over tightening of one side.
- 2) The belt should have equal distance on either side between the frame. If the belt is touching one side, do not start the treadmill. Turn the bolts counter clockwise approximately one full turn on each side. Manually center the belt by pushing the belt from side to side until it is parallel with the side rails. Tighten the bolts the same amount as when the user loosened them, approximately one full turn. Inspect the belt for damage.
- 3) Start the treadmill running belt by pressing the GO button. Increase speed to 3 mph (~4.8 kph) and observe the belt position. If it is moving to the right, tighten the right bolt by turning it clockwise  $\frac{1}{4}$  turn, and loosen the left bolt  $\frac{1}{4}$  turn. If it is moving to the left, tighten the left bolt by turning it clockwise  $\frac{1}{4}$  turn and loosen the right  $\frac{1}{4}$  turn. Repeat Step 3 until the belt remains centered for several minutes.
- 4) Check the tension of the belt. The belt should be very snug. When a person walks or runs on the belt, it should not hesitate or slip. If this occurs, tighten the belt by turning both bolts clockwise  $\frac{1}{4}$  turn. Repeat if necessary.

**NOTE:** Use the orange strip in the lateral position of the side rails as criteria to confirm the belt is properly centered. It is necessary to adjust the belt until the edge of the belt is parallel to the orange or white strip.

### WARNING!

Do not run belt faster than 3 mph (~4.8 kph) while centering. Keep fingers, hair and clothing away from belt at all times.

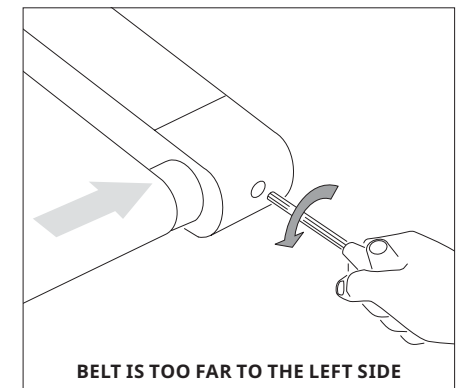
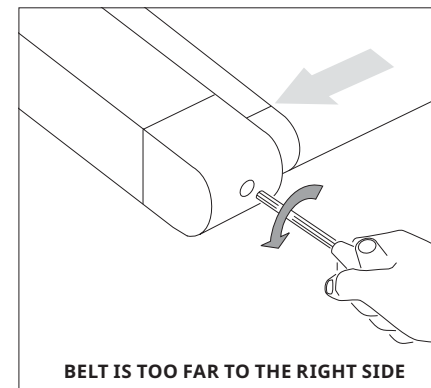
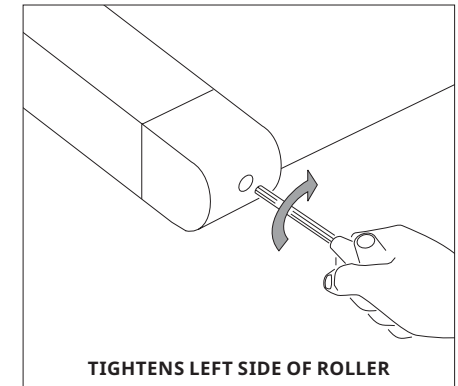
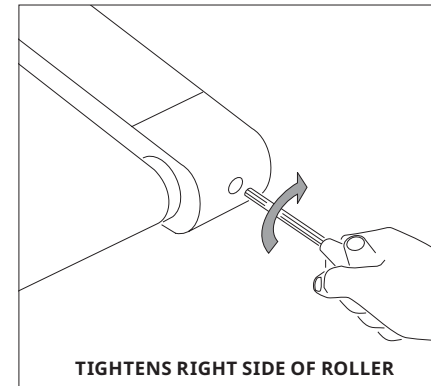
Treadmills equipped with side handrails and front handlebar for user support and emergency dismount, press emergency button to stop the machine for emergency dismount.

### BEFORE USING THE TREADMILL

Perform initial setup and calibrate the treadmill using the auto-calibration feature found in 'Manager Mode' or 'Engineering Mode'.

#### NOTES:

- DO NOT stand on the belt while the auto-calibration sequence is in progress.
- DO NOT adjust incline until the initial setup and auto-calibration are completed.
- DO NOT start the treadmill running belt or press any speed buttons until directed to while tensioning the running belt.





## CAUTION!

### RISK OF INJURY TO PERSONS

While you are preparing to use the treadmill, do not stand on the belt. Place your feet on the side rails before starting the treadmill. Start walking on the belt only after the belt has begun to move. Never start the treadmill at a fast running speed and attempt to jump on! In case of an emergency, place both hands on the side arm rests to hold yourself up and place your feet onto the side rails.

### USING THE SAFETY KEY

Your treadmill will not start unless the emergency stop button is reset. Attach the clip end securely to your clothing. This safety key is designed to cut the power to the treadmill if you should fall. Check the operation of the safety key every 2 weeks.

### WARNING!

Never use the treadmill without securing the safety key clip to your clothing. Pull on the safety key clip first to make sure it will not come off your clothing.

Only engage reverse belt direction in a supervised environment. The maximum default belt speed is 2 mph and should only be changed by an authorized technician.

Your treadmill is capable of reaching high speeds. Always start off using a slower speed and adjust the speed in small increments to reach a higher speed level. Never leave the treadmill unattended while it is running. When not in use turn the on/off switch to off and unplug the power cord. Make sure to follow the MAINTENANCE schedule in this guide to maintain optimal performance and prevent premature electronic failure. Keep your body and head facing forward. Do not attempt to turn around or look backwards while the treadmill is running. Stop your workout immediately if you feel pain, faint, dizzy or are short of breath.

## USING THE HEART RATE FUNCTION

The heart rate function on this product is not a medical device. While heart rate grips can provide a relative estimation of your actual heart rate, they should not be relied on when accurate readings are necessary. Some people, including those in a cardiac rehab program, may benefit from using an alternate heart rate monitoring system like a chest or wrist strap. Various factors, including movement of the user, may affect the accuracy of your heart rate reading. The heart rate reading is intended only as an exercise aid in determining heart rate trends in general. Please consult your physician.

### PULSE GRIPS

Place the palm of your hands directly on the pulse grip. Both hands must grip the sensors for your heart rate to register. It takes 5 consecutive heart beats (15-20 seconds) for your heart rate to register. When gripping the pulse grip, do not grip tightly. Holding the grips tightly may elevate your blood pressure. Keep a loose, cupping hold. You may experience an erratic readout if consistently holding the pulse grip. Make sure to clean the pulse sensors to ensure proper contact can be maintained. The pulse grips are designed for pulse sensing purpose only.

### WARNING!

Heart rate monitoring systems may be inaccurate. Over exercising may result in serious injury or death. If you feel faint, stop exercising immediately.

## PRODUCT SPECIFICATIONS

Max User Weight	182 kg / 400 lbs.
Product Weight	178 kg / 392 lbs.
Shipping Weight	210 kg / 462 lbs.
Overall Dimensions (L x W x H)*	215 x 91 x 154 cm / 85" x 36" x 61"

\* Ensure a minimum clearance width of 0.6 meters (24") for access to and passage around VISION equipment. Please note, 0.91 meters (36") is the ADA recommended clearance width for individuals in wheelchairs.



# MAINTENANCE

Any and all part removal or replacement must be performed by a qualified service technician.

- 1) DO NOT use any equipment that is damaged and or has worn or broken parts. Use only replacement parts supplied by your country's local VISION dealer.
- 2) MAINTAIN LABELS AND NAMEPLATES: Do not remove labels for any reason. They contain important information. If unreadable or missing, contact your VISION dealer for a replacement.
- 3) MAINTAIN ALL EQUIPMENT: Preventative maintenance is the key to smooth operating equipment as well as keeping your liability to a minimum. Equipment needs to be inspected at regular intervals.
- 4) Ensure that any person(s) making adjustments or performing maintenance or repair of any kind is qualified to do so. VISION dealers will provide service and maintenance training at our corporate facility upon request.

## WARNING!

To remove power from the Treadmill, the power cord must be disconnected from the wall outlet.

## RECOMMENDED CLEANING TIPS

Preventative maintenance and daily cleaning will prolong the life and look of your equipment.

- 1) Use a soft, clean cotton cloth. DO NOT use paper towels to clean surfaces on the treadmill. Paper towels are abrasive and can damage surfaces.
- 2) Use a mild soap and damp cloth. DO NOT use ammonia based cleaner or alcohol. This will cause discoloring of the aluminum and plastics it comes into contact with.
- 3) Do not pour water or cleaning solutions on any surface. This could cause electrocution.
- 4) Wipe the console, heart rate grip, handles and side rails after each use.
- 5) Brush away any wax deposits from the deck and belt area. This is a common occurrence until the wax is worked into the belt material.
- 6) Be sure to remove any obstructions from the path of the elevation wheels including power cords.

For cleaning touch screen displays, use distilled water in an atomizer spray bottle. Spray distilled water onto soft, clean, dry cloth and wipe display until clean and dry. For very dirty displays, adding vinegar is recommended.

## CAUTION!

Be sure to have proper assistance to install and move the unit in order to avoid injury or damage to the treadmill.

## MAINTENANCE SCHEDULE

ACTION	FREQUENCY
Unplug the unit. Clean entire machine using water and a mild soap or other approved solution (cleaning agents should be alcohol and ammonia free).	DAILY
Inspect the power cord. If the power cord is damaged, contact Customer Tech Support.	DAILY
Make sure the power cord is not underneath the unit or in any other area where it can become pinched or cut during storage or use.	DAILY
Unplug the treadmill and remove the motor cover. Check for debris and clean with a dry cloth or small vacuum nozzle. <b>WARNING:</b> Do not plug the treadmill in until the motor cover has been reinstalled.	MONTHLY
For touch screen consoles, enter service mode and select 'test'. Select 'touch calibration' and then select 'start'. Follow the on-screen prompts and touch the screen where indicated.	QUARTERLY
Clean IR sensors (located on console masts) with a cotton swab and rubbing alcohol.	QUARTERLY

## DECK AND BELT REPLACEMENT

One of the most common wear and tear items on a treadmill is the deck and belt combination. If these two items are not properly maintained they can cause damage to other components. This product has been provided with the most advanced maintenance free lubricating system on the market.

## WARNING!

Do not run the treadmill while cleaning the belt and deck. This can cause serious injury and can damage the machine. Maintain the belt and deck by wiping the sides of the belt and deck with a clean cloth. The user can also wipe under the belt 2 inches (~51mm) on both sides removing any dust or debris. The deck can be flipped and reinstalled or replaced by an authorized service technician. Please contact Vision Fitness Systems for more information.



DEUTSCH



# WICHTIGE SICHERHEITSHINWEISE

## BEWAHREN SIE DIESE ANLEITUNGEN AUF

- Beim Gebrauch eines Laufbands sollten die folgenden grundlegenden Sicherheitshinweise unbedingt beachtet werden: Lesen Sie alle Anleitungen, bevor Sie das Gerät benutzen. Der Besitzer ist dafür verantwortlich, dass alle Benutzer dieses Geräts über alle Warn- und Sicherheitshinweise informiert sind.
- Dieses Gerät ist für den kommerziellen Gebrauch gedacht. Lesen Sie alle Anleitungen, um Ihre persönliche Sicherheit zu gewährleisten und das beschriebene Produkt vor Schäden zu schützen.

## GEFAHR!

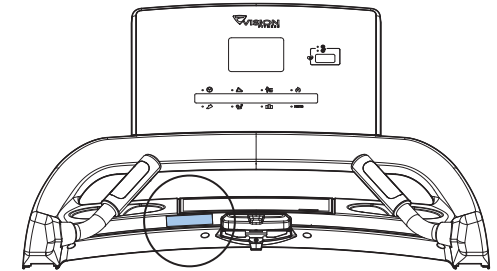
### ZUR MINDERUNG DER GEFAHR EINES ELEKTRISCHEN SCHLAGS:

- Trennen Sie das Gerät immer sofort nach Gebrauch sowie vor der Reinigung, Wartung oder dem Anbringen oder Abnehmen von Teilen vom Stromnetz.

## WARNUNG!

### SO REDUZIEREN SIE DAS RISIKO VON VERBRENNUNGEN, FEUER, ELEKTRISCHEN SCHLÄGEN ODER VERLETZUNGEN VON PERSONEN:

- Falsches oder übermäßiges Training kann zu Verletzungen führen. Sollten während des Trainings Schmerzen jeglicher Art, einschließlich aber nicht beschränkt auf Brustschmerzen, Übelkeit, Schwindel oder Atemlosigkeit auftreten, beenden Sie sofort das Training und suchen Sie einen Arzt auf, bevor Sie das Training fortsetzen.
- Trainieren Sie stets in einem angenehmen Tempo.
- Tragen Sie keine Kleidung, die sich am Laufband verfangen könnte.
- Nutzer müssen bei der Verwendung dieses Trainingsgeräts geeignetes Schuhwerk (z. B. Sportschuhe) tragen.
- Springen Sie nicht auf das Laufband.
- Das Laufband darf immer nur von jeweils einer Person verwendet werden.
- Das Laufband darf nicht von Personen benutzt werden, die mehr wiegen, als im Abschnitt „TECHNISCHE DATEN“ des BENUTZERHANDBUCHS angegeben ist. Bei Zuwiderhandlungen verfällt die Garantie.
- Trennen Sie das Gerät von der Stromversorgung, bevor Sie es warten oder umstellen.
- Reinigen Sie das Gerät mit einem leicht angefeuchteten Tuch und milder Seife. Verwenden Sie niemals Lösungsmittel. (Siehe „WARTUNG“.)
- Ziehen Sie den Stecker aus der Steckdose, wenn Sie das Gerät nicht benutzen oder bevor Sie Teile anbringen oder abnehmen.
- Schließen Sie das Trainingsgerät nur an eine ordnungsgemäß geerdete Steckdose an.
- Entfernen Sie die Schutzabdeckungen nur nach Aufforderung durch Fachpersonal oder Ihren örtlichen Händler. Ein Service sollte nur durch autorisiertes Servicepersonal durchgeführt werden.
- Das Installieren von Teilen oder Zubehör, die oder das nicht für dieses Gerät bestimmt oder mit dem verkauften Gerät nicht kompatibel ist, kann sich auf die Sicherheit auswirken und macht die Garantie ungültig.
- Auf der typischen Kopfhöhe gemessen ist der A-bewertete Schalldruckpegel beim Betrieb des Laufbands mit einer Geschwindigkeit von 12 kmh (ohne Belastung) nicht höher als 70 dB.
- Die Geräuschemission unter Belastung ist höher als ohne Belastung.
- Kinder unter 14 Jahren oder Haustiere müssen einen Abstand von mindestens 3 Metern zu diesem Laufband UNBEDINGT einhalten.
- Kinder unter 14 Jahren dürfen dieses Laufband NICHT verwenden.
- Jugendliche über 14 Jahren dürfen das Laufband nur unter Beaufsichtigung verwenden.
- Dieses Gerät ist nicht für die Verwendung durch Personen vorgesehen, die verminderte körperliche, sensorielle oder geistige Fähigkeiten haben oder nicht über ausreichende Erfahrung und Kenntnisse verfügen, außer sie haben von einer Person, die für ihre Sicherheit verantwortlich ist, Anweisungen für den Gebrauch des Geräts erhalten oder werden von dieser beaufsichtigt.
- Verwenden Sie das Laufband nur zu dem im Benutzerhandbuch beschriebenen Zweck.
- Betreiben Sie das Laufband nicht, wenn Kabel oder Stecker beschädigt sind, wenn es nicht ordnungsgemäß funktioniert, umgefallen, beschädigt oder in Wasser getaucht worden ist. Wenden Sie sich an den technischen Kundendienst, um Ersatz oder Reparatur zu beantragen.
- Um das Risiko eines Stromschlags zu minimieren, darf dieses Gerät nur an einem vorschriftsmäßig geerdeten Stromkreis angeschlossen werden.
- Halten Sie das Netzkabel von aufgeheizten Oberflächen fern. Tragen Sie das Gerät nicht am Netzkabel bzw. verwenden Sie das Kabel nicht als Griff.
- Betreiben Sie das Laufband niemals, wenn die Belüftungsöffnung blockiert ist. Halten Sie die Belüftungsöffnung sauber und frei von Staub, Haaren und dergleichen.
- Zur Vermeidung von Stromschlägen dürfen keine Gegenstände in Öffnungen am Gerät eingeworfen oder eingeführt werden.
- Nehmen Sie das Gerät nicht an Orten in Betrieb, an denen Aerosolprodukte (Spray) verwendet werden oder Sauerstoff verabreicht wird.
- Zum Abschalten drehen Sie alle Bedienelemente in die Off-Position und trennen Sie dann den Stecker von der Steckdose.
- Verwenden Sie das Laufband in keiner Umgebung ohne Temperaturregulierung, einschließlich aber nicht beschränkt auf Garagen, Vorbauten, Poolanlagen, Badezimmern, Autostellplätzen oder im Freien. Bei Zuwiderhandlungen verfällt die Garantie.
- Das Entfernen von Schutzabdeckungen sollte NUR durch autorisiertes Servicepersonal durchgeführt werden. Stellen Sie sicher, dass alle Befestigungselemente nach dem Einsetzen der Schutzabdeckungen ordnungsgemäß installiert wurden.
- Bevor Sie das Gerät starten, stellen Sie sich auf die seitlichen Trittplächen, um Verletzungen zu vermeiden.
- Herzfrequenzüberwachungssysteme können ungenaue Daten anzeigen.
- Exzessives Training kann zu ernsthaften Verletzungen oder Tod führen.
- Brechen Sie das Training sofort ab, wenn Sie Schwindel oder Benommenheit fühlen.
- Um einen fehlerhaften Anschluss des Netzkabels am Stromversorgungsanschluss des Geräts zu vermeiden, installieren Sie die Netzkabelhalterung, nachdem Sie das Netzkabel am Gerät angeschlossen haben.



WARNETIKETT HIER ANBRINGEN

## ACHTUNG!

### UNTERZIEHEN SIE SICH EINER ÄRZTLICHEN UNTERSUCHUNG, BEVOR SIE DIESES GERÄT BENUTZEN. LESEN SIE DAS BENUTZERHANDBUCH VOR DEM GEBRAUCH DIESES GERÄTS.

- Es ist unerlässlich, dieses Gerät nur im Innenbereich in einem klimatisierten Raum zu verwenden. Ist das Gerät niedrigen Temperaturen oder hoher Luftfeuchtigkeit ausgesetzt gewesen, sollte es vor dem ersten Gebrauch unbedingt auf Raumtemperatur erwärmt werden. Werden diese Hinweise nicht beachtet, kann es zu einer elektronischen Fehlfunktion kommen. Die standardmäßige Startgeschwindigkeit beträgt ca. 0,8 kmh. Eine zu hoch eingestellte Startgeschwindigkeit kann gefährlich sein.



# STROMVERSORGUNG

## INFORMATIONEN ZU SEPARATEN STROMKREISEN UND ELEKTRIK

„Separater Stromkreis“ bedeutet, dass an der Steckdose, an die Sie Ihr Gerät anschließen, kein anderes Gerät angeschlossen sein darf. Am einfachsten können Sie dies überprüfen, indem Sie den Sicherungskasten ausfindig machen und die Schalter nacheinander ausschalten. Sobald ein Schalter ausgeschaltet wurde, sollte auch nur das dazugehörige Gerät von der Stromzufuhr abgeschnitten sein. Lampen, Verkaufsautomaten, Ventilatoren, Audiosysteme oder sonstige Geräte sollten bei dieser Prüfung nicht von der Stromzufuhr getrennt werden. Eine Erdung (isoliert, ohne Erdschleife) bedeutet, dass jeder Stromkreis einen eigenen Neutralleiter/Erdungsanschluss haben muss, der von diesem ausgeht und an einer zugelassenen Erdung endet. Es ist nicht möglich, einen einzelnen Neutralleiter/Erdungsanschluss von einem Stromkreis zum nächsten zu „überbrücken“.

## ELEKTRISCHE ANFORDERUNGEN

Zu Ihrer Sicherheit und um eine gute Geräteleistung zu gewährleisten, muss die Erdung dieses Stromkreises isoliert (ohne mögliche Erdschleife) sein. Siehe NEC Artikel 210-21 und 210-23. Das Laufband ist mit einem Stromkabel und dem nachfolgend aufgeführten Stecker versehen und benötigt die entsprechende Netzsteckdose. Jegliche Änderungen an diesem Netzkabel können zum Erlöschen aller Garantien für dieses Produkt führen.

## 220-VOLT-GERÄTE

Alle Vision 220 V Laufbänder benötigen einen separaten Stromkreis mit 216-250 V, 50 Hz, 20 A sowie einen isolierten Neutralleiter/Erdungsanschluss (ohne mögliche Erdschleife). Die Steckdose sollte eine NEMA 6-20R sein und die gleiche Konfiguration wie der Netzstecker haben. Bei diesem Produkt sollte kein Adapter verwendet werden.

## HINWEISE ZUR ERDUNG

Das Gerät muss geerdet sein. Im Falle einer Fehlfunktion oder eines Ausfalls bietet die Erdung dem elektrischen Strom den Weg des geringsten Widerstands, was das Risiko eines Stromschlags verringert. Das Gerät ist mit einem Kabel ausgestattet, das über einen Geräteschutzleiter und einen Erdungsstecker verfügt. Der Netzstecker muss in eine geeignete Steckdose gesteckt werden, die entsprechend den örtlichen Vorschriften und Verordnungen installiert und geerdet ist. Bei Nichtbeachtung dieser Erdungshinweise durch den Anwender kann die eingeschränkte Garantie von Vision erlöschen.

## ZUSÄTZLICHE INFORMATIONEN ZUR ELEKTRIK

Zusätzlich zu der Bedingung des eigenen Stromkreises ist die richtige Leitung vom Sicherungskasten zu jeder Steckdose zu verwenden, an der die maximale Anzahl von Geräten angeschlossen ist. Beträgt der Abstand vom Sicherungskasten zu den Steckdosen 30,5 m oder weniger, sollte ein 12-poliges Kabel verwendet werden. Bei Entfernungen von über 30,5 m vom Sicherungskasten zur Steckdose sollte ein 10-poliges Kabel verwendet werden.

## ENERGIESPARMODUS

Alle Geräte sind so konfiguriert, dass sie bei längerem Nichtgebrauch in den Energiesparmodus wechseln. Es kann etwas Zeit in Anspruch nehmen, bis das Gerät aus dem Energiesparmodus heraus wieder vollständig aktiviert ist. Die Energiesparfunktion kann im Manager-Modus oder im Engineering-Modus aktiviert/deaktiviert werden.

## WARNUNG!

Schließen Sie das Trainingsgerät nur an eine ordnungsgemäß geerdete Steckdose an.

- Betreiben Sie das Gerät niemals mit einem beschädigten Kabel oder Stecker, auch wenn es normal funktioniert. Betreiben Sie niemals ein Gerät, das beschädigt zu sein scheint oder in Wasser getaucht worden ist. Wenden Sie sich an den technischen Kundendienst, um Ersatz oder Reparatur zu beantragen.

Die Nichteinhaltung dieser Vorgaben kann zu Schäden an Ihrem Produkt und zum Erlöschen der Garantie führen:

- Alle Video- und Steckdosen müssen am Tag der Lieferung/Montage des Produkts funktionsfähig sein. Der Kunde ist für etwaige zusätzliche Installationskosten in Zusammenhang mit Gegenbesuchen verantwortlich.
- Die Stromversorgung in Ihrer Region kann schwanken. Um eine stabile Leistung des Produkts zu gewährleisten, verwenden Sie den richtigen Kabelquerschnitt.

## GEFAHR!

Ein unsachgemäßer Anschluss des Geräteschutzleiters kann zu einem Stromschlag führen. Wenden Sie sich an einen qualifizierten Elektriker oder Servicetechniker, wenn Sie Zweifel haben, ob das Gerät ordnungsgemäß geerdet ist. Nehmen Sie keine Änderungen am mitgelieferten Netzstecker vor. Passt dieser nicht in Ihre Steckdose, lassen Sie eine geeignete Steckdose von einem qualifizierten Elektriker installieren.





## AUFBAU

### AUSPACKEN

Packen Sie das Gerät an der Stelle aus, an der Sie es aufstellen möchten. Legen Sie den Karton auf eine flache, ebene Oberfläche. Es empfiehlt sich, den Boden mit einer Schutzfolie auszulegen. Öffnen Sie den Karton nicht, wenn er auf der Seite liegt.

### WICHTIGE HINWEISE

Stellen Sie bei jedem Aufbauschritt sicher, dass ALLE Schrauben und Muttern eingesetzt sind und ein Gewinde besitzen. Einige Komponenten wurden für einen leichteren Aufbau und Gebrauch werksseitig vorgefettet. Entfernen Sie das Fett bitte nicht. Wenn Sie Schwierigkeiten haben, empfiehlt sich die Verwendung von einer geringen Menge Lithiumfett.

### WARNUNG!

Beim Aufbau gibt es einige Schritte, bei denen besondere Aufmerksamkeit gefordert ist. Es ist sehr wichtig, die Aufbauanleitungen genau zu befolgen und sicherzustellen, dass alle Komponenten fest verschraubt sind. Wenn die Aufbauanleitungen nicht ordnungsgemäß befolgt werden, kann dies zu losen Verbindungen zwischen den Komponenten und störenden Geräuschen führen. Um Schäden am Gerät zu vermeiden, müssen die Aufbauanleitungen sorgfältig gelesen und gegebenenfalls Fehler, die beim Aufbau vielleicht gemacht wurden, korrigiert werden.

### BENÖTIGEN SIE UNTERSTÜTZUNG?

Bei Fragen oder fehlenden Teilen wenden Sie sich an unseren technischen Kundensupport. Besuchen Sie [world.visionfitness.com](http://world.visionfitness.com), um Kontaktinformationen zu erhalten.

### ERFORDERLICHE WERKZEUGE:

- 8mm T-Schraubenschlüssel
- 8mm Inbusschlüssel
- 6mm Inbusschlüssel
- Kreuzschlitzschraubendreher

### IM LIEFERUMFANG ENTHALTENE TEILE:

- 1 Basisrahmen
- 1 Konsolenbasisset
- 1 Konsolenvorrichtung
- 2 Konsolenmasten
- 2 Haltestangen
- 1 Netzkabel
- 1 Hardware Kit

# 1

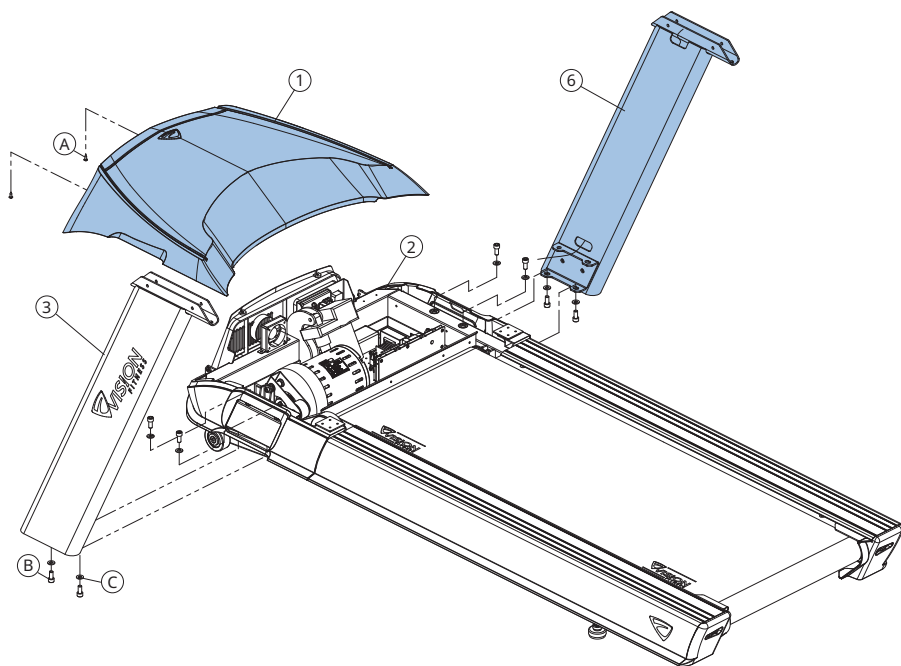
**WICHTIG:** Ziehen Sie die Schrauben erst fest, nachdem Sie Schritt 3 durchgeführt haben.

- Entfernen Sie die 2 vorinstallierten Schrauben (A) und nehmen Sie die **MOTORABDECKUNG (1) AB**.
- Öffnen Sie die **HARDWARE FÜR SCHRITT 1**.
- Befestigen Sie den **LINKEN KONSOLENMAST (3)** am **BASISRAHMEN (2)** mit **4 SCHRAUBEN (B)** und **4 UNTERLEGSCHLEIBEN (C)** von oben und unten.
- Befestigen Sie den **RECHTEN KONSOLENMAST (6)** am **BASISRAHMEN (2)** mit **4 SCHRAUBEN (B)** und **4 UNTERLEGSCHLEIBEN (C)** von oben und unten.

**HINWEIS:** Achten Sie darauf, dass Sie keine Kabel abklemmen, wenn Sie die Haltestange befestigen.

#### Hardware für Schritt 1

Beschreibung	Menge
A Vorinstallierte Schraube	2
B Schraube	8
C Unterlegscheibe	8

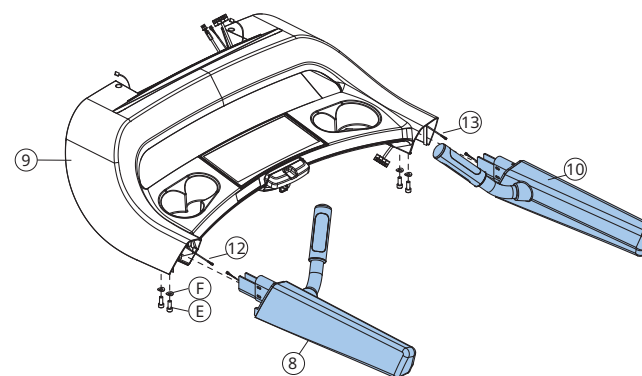


# 2

- Öffnen Sie die **HARDWARE FÜR SCHRITT 2**.
- Befestigen Sie das **KABEL FÜR DEN PULSGRIF (12)**, werfen Sie den Kabelbinder weg, verstauen Sie die Kabel in der **LINKEN HALTESTANGE (8)** und schieben Sie sie in die **KONSOLENBASIS (9)**.
- Befestigen Sie das **KABEL FÜR DEN PULSGRIF (13)**, werfen Sie den Kabelbinder weg, verstauen Sie die Kabel in der **RECHTEN HALTESTANGE (10)** und schieben Sie sie in die **KONSOLENBASIS (9)**.
- Befestigen Sie die **HALTESTANGEN (8 & 10)** an der **KONSOLENBASIS (9)** mit **4 SCHRAUBEN (E)** und **4 GEWÖLBTEN UNTERLEGSCHLEIBEN (F)**.

#### Hardware für Schritt 2

Beschreibung	Menge
E Schraube	4
F Unterlegscheibe (gebogen)	4



DEUTSCH

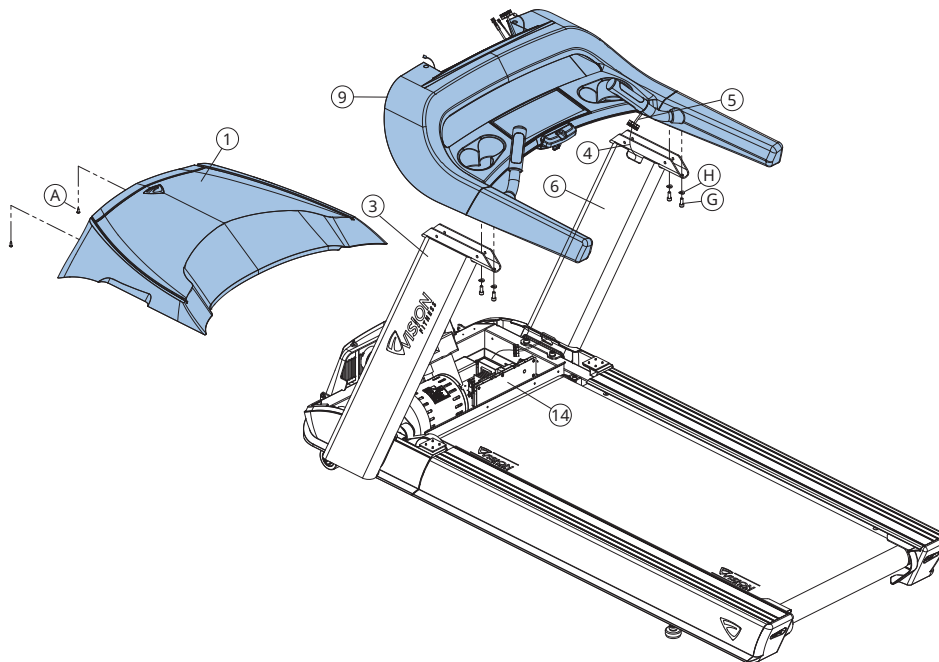
**3**

DEUTSCH

- Öffnen Sie die **HARDWARE FÜR SCHRITT 3**.
- Befestigen Sie den **FÜHRUNGSDRAHT (4)** am **KONSOLENKABEL (5)** und ziehen Sie ihn durch den **RECHTEN KONSOLENMAST (6)**. Nachdem Sie den Führungsdraht durch den Konsolenmast gezogen haben, sollte an **MCB (14)** angeschlossen werden.  
Entfernen und entsorgen Sie den Führungsdraht.
- Befestigen Sie die **KONSOLENBASIS (9)** an den **KONSOLENMASTEN (3 & 6)** mit **4 SCHRAUBEN (G)** und **4 GEWÖLBTEN UNTERLEGSCHLEIBEN (H)**.
- Ziehen Sie alle Schrauben von Schritt 1 bis 3 fest.
- Installieren Sie die **MOTORABDECKUNG (1)** mit den 2 vorinstallierten Schrauben (A).

**Hardware für Schritt 3**

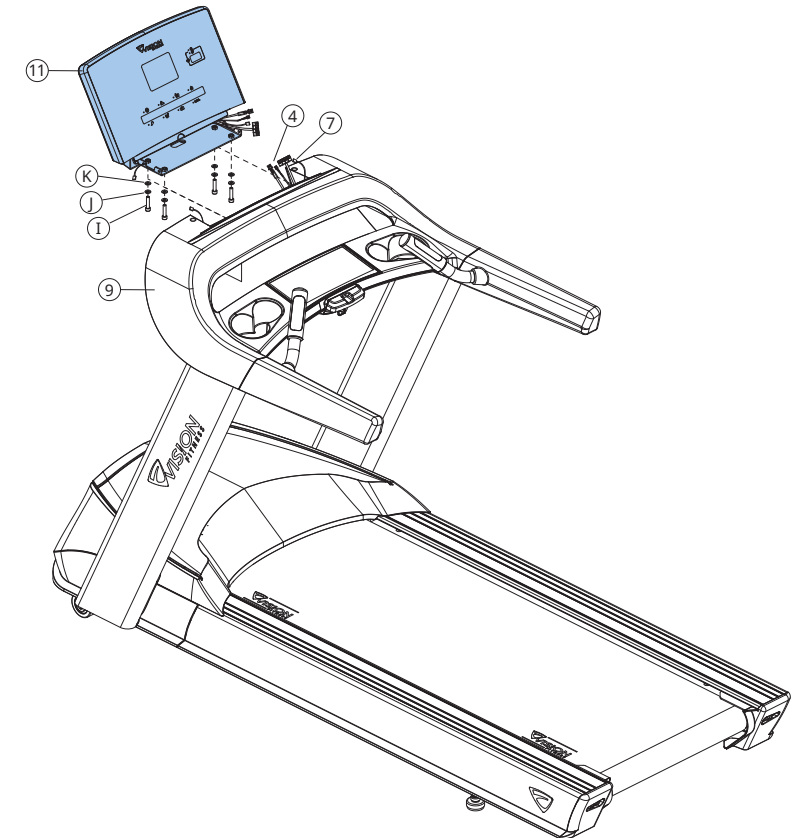
Beschreibung	Menge
G Schraube	4
H Unterlegscheibe (gebogen)	4

**4**

- Öffnen Sie die **HARDWARE FÜR SCHRITT 4**.
- Schließen Sie die **KONSOLENKABLE (4)** und die **KABEL FÜR DEN PULSGRIFF (7)** an der **KONSOLE (11)** an und verstauen Sie überstehende Kabel vorsichtig in der **KONSOLENBASIS (9)**.
- Befestigen Sie die **KONSOLE (11)** an der **KONSOLENBASIS (9)** mit **4 SCHRAUBEN (I)**, **4 FEDERSCHLEIBEN (J)** und **4 UNTERLEGSCHLEIBEN (K)**.

**Hardware für Schritt 4**

Beschreibung	Menge
I Schraube	4
J Federscheibe	4
K Unterlegscheibe	4



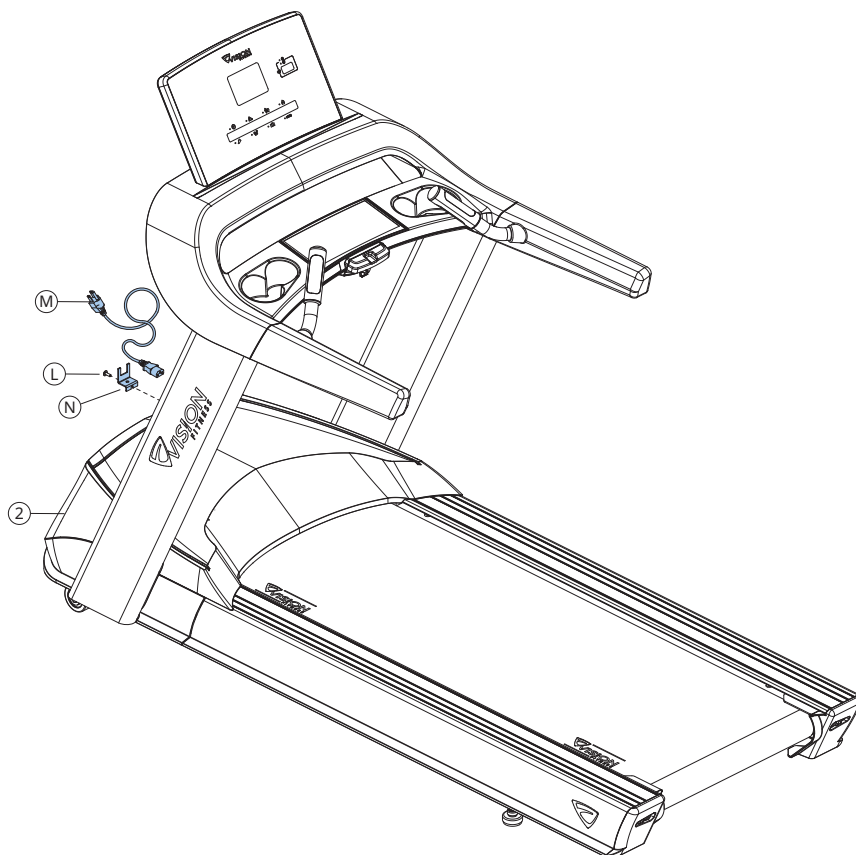
# 5

- Installieren Sie das **STROMKABEL (M)** am **BASISRAHMEN (2)**.
- Installieren Sie die **STROMKABELHALTERUNG (N)** am **BASISRAHMEN (2)** mit **1 SCHRAUBE (L)**.

## Hardware für Schritt 5

Beschreibung	Menge
L Schraube	1
M Netzkabel	1
N Stromkabelhalterung	1

**AUFBAU  
ABGESCHLOSSEN!**





# BEDIENUNG DER KONSOLE

## A PROGRAMMPROFILANZEIGE

Zeigt das Profil des aktuell eingestellten Programms an (d.h. die Geschwindigkeit bei geschwindigkeitsbasierten Programmen und die Neigung bei neigungsbasierten Programmen).

## B HERZFREQUENZANZEIGE

Zeigt die aktuelle HF und die Zielherzfrequenz beim Training an. Die Konsole zeigt die Herzfrequenz innerhalb von 15 bis 20 Sekunden nach Kontakt mit den Sensoren oder bei Verwendung eines HF-Brustgurts an. Das Programm ZIELHERZFREQUENZ zeigt die eingestellte Zielherzfrequenz alle 60 Sekunden im Anzeigefenster an.

## C ANLEITUNGSCENTER

Hier werden schrittweise Anleitungen zum Einstellen eines Programms angezeigt. Während des Trainings werden Zeit, Tempo, Neigung, Strecke, Geschwindigkeit, Level, Kalorien und METs angezeigt.

## D STEUERUNGSTASTEN

Mithilfe der Tasten können Nutzer Programme einstellen und ihr Training steuern.

### 1 ZIFFERBLOCK

Dient beim Einstellen von Programmen zur Eingabe von Daten. Drücken Sie ✓, um die Einstellungen zu bestätigen. Drücken Sie ↵, um Daten zu entfernen, die Sie beim Einstellen des Trainings noch nicht bestätigt haben.

### 2 GESCHWINDIGKEIT & NEIGUNG

Drücken Sie ▲▼, um die Geschwindigkeit oder Neigung zu verändern.

### 3 START ▶

Drücken Sie die Starttaste, um sofort mit dem Training zu beginnen, ohne ein Trainingsprogramm einzustellen.

### 4 STOP ■

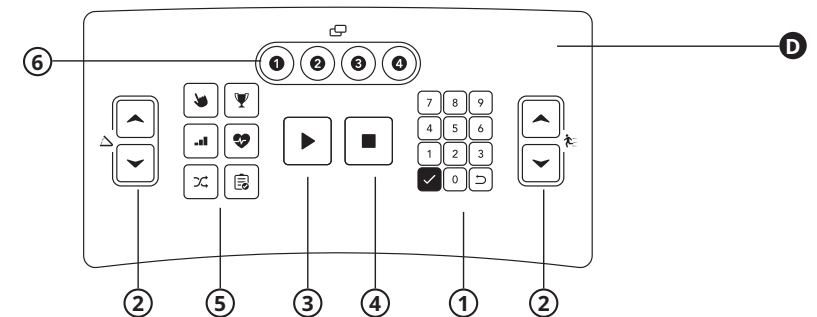
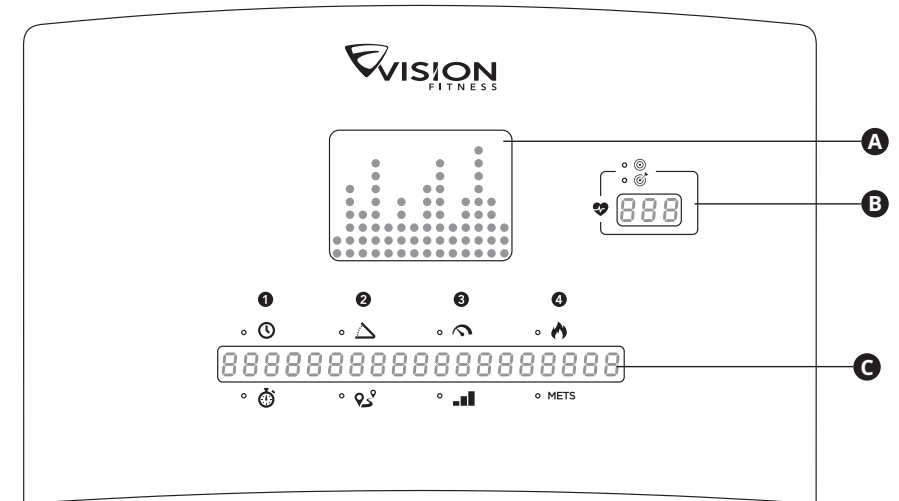
Drücken Sie diese Taste, um das Training zu beenden. Drücken und 3 Sekunden halten, um die Konsole zurückzusetzen.

### 5 PROGRAMMTASTEN

Drücken Sie eine Taste, um ein Programm auszuwählen. Für die Programme Goal+ und Heart Rate+ drücken Sie die entsprechende Taste mehrmals, um auf weitere Programme zuzugreifen.

### 6 ANZEIGE WECHSELN (1 - 4)

Drücken Sie diese Tasten, um beim Training andere Trainingsdaten anzuzeigen.



Besuchen Sie die Webseite von Vision, um weitere Informationen zum Aufbau und zur Konsole zu erhalten:  
[world.visionfitness.com](http://world.visionfitness.com)

**HINWEIS:** Standardmäßig zählt die Zeitanzeige von der gesamten Trainingsdauer rückwärts bis 0 herunter. Wird keine Trainingsdauer eingestellt, fängt die Zeit bei 0:00 an zu laufen.

# PROGRAMMINFORMATIONEN



DEUTSCH

PROGRAMM		BESCHREIBUNG	STANDARD-ZEITDAUER	ERFORDERLICHE EINGABE	PROGRAMM-STEUERUNG
 SCHNELLSTART		Mit dem Schnellstart kann das Training sofort begonnen werden, ohne Eingaben vorzunehmen. Nach dem Drücken von ▶ startet das Training mit einem konstanten Level. Geschwindigkeit und Neigung werden nicht automatisch eingestellt.	N/V	N/V	N/V
 MANUELL		Das manuelle Programm bietet eine kontinuierliche Trainingsbelastung, wobei Neigung und Geschwindigkeit jederzeit geändert werden können.	20:00	Zeit, Gewicht	N/V
 INTERVALL		Intervalltraining ist eine Trainingsmethode, die durch abwechselnde Belastungs- und Erholungsphasen gekennzeichnet ist. Nutzer können jedoch jederzeit die aktuelle Geschwindigkeitseinstellung ändern.	20:00	Level, Zeit, Gewicht	Neigung
 GOAL+	ZEIT	Bei diesem Training ist eine bestimmte Zeitdauer das Ziel. Sobald diese Zeit erreicht wurde, geht das Training in die Abwärmphase über.	20:00	Zeit, Startneigung, Startgeschwindigkeit, Gewicht	N/V
	STRECKE	Dieses Training dient dem Aufbau der Ausdauer auf einer bestimmten Strecke. Sobald dieses Ziel erreicht wurde, geht das Training in die Abwärmphase über und wird anschließend beendet.	N/V	Zeit, Startneigung, Startgeschwindigkeit, Gewicht	N/V
	KALORIEN	Ziel dieses Trainings ist ein bestimmter Kalorienverbrauch innerhalb einer festgelegten Zeitdauer. Sobald dieses Ziel erreicht wurde, geht das Training in die Abwärmphase über und wird anschließend beendet.	N/V	Kalorien, Startneigung, Gewicht	N/V
 RANDOM		Bei diesem Training wird ein zufälliges Geländeprofil erzeugt, welches sich bei jedem Training ändert.	20:00	Zeit, Gewicht	Neigung
 HERZ-FREQUENZ+	ZIEL-HF	Ziel-HF ist ein intensives Training für geübte Nutzer, bei dem das kardiovaskuläre System positiv beeinflusst wird. Nutzer müssen hierbei einen Brustgurt tragen oder die Pulsgriffe mit den Händen umschließen. Das Programm passt die Intensität automatisch basierend auf der jeweiligen Herzfrequenz an, um diese auf einem Niveau von 80 % der theoretischen maximalen Herzfrequenz zu halten.	20:00	Alter, Herzfrequenz, HF-Steuerung, Max. Geschwindigkeit oder Max. Neigung, Zeit, Gewicht	Geschwindigkeit oder Neigung
	GEWICHTS-ABNAHME	Für eine Gewichtsabnahme eignet sich ein weniger intensives Training, bei dem die Fettreserven des Körpers verbrannt werden. Nutzer müssen hierbei einen Brustgurt tragen oder die Pulsgriffe mit den Händen umschließen. Das Programm passt die Intensität automatisch basierend auf der jeweiligen Herzfrequenz an, um diese auf einem Niveau von 65 % der theoretischen maximalen Herzfrequenz zu halten. Außerdem ist der Body Mass Index (BMI) zur Messung Ihrer Körperzusammensetzung erforderlich.	20:00	Alter, Herzfrequenz, HF-Steuerung, Max. Geschwindigkeit oder Max. Neigung, Zeit, Gewicht, Größe	Geschwindigkeit oder Neigung
 FITNESSTEST		Vision Laufbänder bieten unter anderem den Gerkin-Test –entwickelt von Dr. Richard Gerkin am Phoenix Fire Department (Arizona, USA). Dieser Laufbandtest wird von vielen Fire Departments in den USA eingesetzt, um die körperliche Fitness ihrer Feuerwehrleute zu ermitteln. Bei diesem Test sollte die Herzfrequenz kontinuierlich mithilfe eines telemetrischen Brustgurts gemessen werden.	N/V	N/V	N/V





# PROGRAMMTABELLE

## FITNESSTEST – GERKIN

Stufe	Gesamtzeit	Geschwindigkeit KMH	Neigung %	VO2 max. geschätzt (ml/kg/min)	VO2 max. geschätzt METS
0 Aufwärmen	1:00	3,0	0	13,3	3,3
	2:00	3,0	0	13,3	3,3
	3:00	3,0	0	13,3	3,3
1	3:30	4,5	0	15,3	4,4
	4:00	4,5	0	17,4	5,0
2	4:30	4,5	2	19,4	5,5
	5:00	4,5	2	21,5	6,1
3	5:30	5,0	2	23,6	6,7
	6:00	5,0	2	27,6	7,9
4	6:30	5,0	4	28,7	8,2
	7:00	5,0	4	29,8	8,5
5	7:30	5,5	4	31,2	8,9
	8:00	5,5	4	32,7	9,3
6	8:30	5,5	6	33,9	9,7
	9:00	5,5	6	35,1	10,0
7	9:30	6,0	6	36,6	10,5
	10:00	6,0	6	38,2	10,9
8	10:30	6,0	8	39,5	11,3
	11:00	6,0	8	40,9	11,6
9	11:30	6,5	8	42,6	12,2
	12:00	6,5	8	44,3	12,7
10	12:30	6,5	10	45,7	13,1
	13:00	6,5	10	47,2	13,5
11	13:30	7,0	10	49,0	14,0
	14:00	7,0	10	50,8	14,5
12	14:30	7,0	12	52,3	14,9
	15:00	7,0	12	53,9	15,4
13	15:30	7,5	12	55,8	15,9
	16:00	7,5	12	57,8	16,5
14	16:30	7,5	14	59,5	17,0
	17:00	7,5	14	61,2	17,5
15	17:30	8,0	14	63,2	18,1
	18:00	8,0	14	65,3	18,7

VO2 max (ml/kg/min)		WEIBLICH				MÄNNLICH			
TESTERGEBNIS	Perzentil-Wert	20-29	30-39	40-49	50-59	20-29	30-39	40-49	50-59
<b>HERAUSRAGEND</b>	99	>53,0	>48,7	>46,8	>42,0	>58,8	>58,9	>55,4	>52,5
	95	46,8	43,9	41,0	36,8	54,0	52,5	50,4	47,1
<b>AUSGEZEICHNET</b>	90	44,2	41,0	39,5	35,2	51,4	50,3	48,2	45,3
	80	41,0	38,6	36,3	32,3	48,2	46,8	44,1	41,0
<b>GUT</b>	70	38,1	36,7	33,8	30,9	46,8	44,6	41,8	38,5
	60	36,7	34,6	32,3	29,4	44,2	42,4	39,9	36,7
<b>BEFRIEDIGEND</b>	50	35,2	33,8	30,9	28,2	42,5	41,0	38,1	35,2
	40	33,8	32,3	29,5	26,9	41,0	38,9	36,7	33,8
<b>AUSREICHEND</b>	30	32,3	30,5	28,3	25,5	39,5	37,4	35,1	32,3
	20	30,6	28,7	26,5	24,3	37,1	35,4	33,0	30,2
<b>UNGENÜGEND</b>	10	28,3	26,5	25,1	22,3	34,5	32,5	30,9	28,0
	5	25,9	25,1	23,5	21,1	31,6	30,9	28,3	25,1

### 1. Während des Tests

- 1.1 Wird die STOP-Taste gedrückt, beendet das Instrument den Test und zeigt TEST BEENDET (TEST TERMINATED) an.
- 1.2 Wenn HF (Herzfrequenz) > ZHR (Zielherzfrequenz) 15 Sekunden übersteigt oder einen 18 Minuten umfassenden Test abschließt, wechselt das Gerät in den Abwärmmodus (COOL DOWN), um alle Tests zu beenden und die Ergebnisse anzuzeigen.
- 1.3 Wenn die Aufwärmphase (WARM UP) abgeschlossen ist und keine Herzfrequenz ermittelt werden kann, meldet das Instrument, dass die Griffsensoren verloren wurden (HEART RATE LOST GRIP SENSORS). Wenn nach über 20 Sekunden noch immer keine Herzfrequenz ermittelt werden kann: Das Gerät beendet den Test und wechselt in den Abwärmmodus (COOL DOWN) und zeigt die Meldung TEST BEENDET (TEST TERMINATED) an.

### 2. Testergebnisse:

Gesamtzeit/Kalorien/Phase/Testlevel

### 3. ZHF = (220 – ALTER) x 0,85

## INTERVALLE

SEGMENT STUFE	1	2	3	4	5	6	7	8	9	10	11	12	13	14
	<b>NEIGUNG</b>													
L1	1	1	2	1	2	1	3	1	2	1	2	1	1	1
L2	1	2	3	1	3	1	3	1	3	1	3	2	1	1
L3	1	2	3	1	3	1	4	1	3	1	3	2	1	1
L4	1	3	4	1	4	1	5	1	4	1	4	3	1	1
L5	2	3	5	2	5	2	5	2	5	2	5	3	2	2
L6	2	4	5	2	5	2	6	2	5	2	5	4	2	2
L7	2	4	6	2	6	2	7	2	6	2	6	4	2	2
L8	3	5	7	3	7	3	8	3	7	3	7	5	3	3
L9	3	5	8	3	8	3	9	3	8	3	8	5	3	3
L10	3	6	9	3	9	3	10	3	9	3	9	6	3	3

Die Intervalltabelle enthält zufällige Programmkarteninformationen.

## ERSTE SCHRITTE

- 1) Stellen Sie sicher, dass sich keine Objekte auf der Laufmatte befinden, die den Betrieb des Geräts behindern könnten.
- 2) Verbinden Sie das Stromkabel mit der Steckdose und schalten Sie das Laufband EIN.
- 3) Stellen Sie sich auf die seitlichen Trittplächen.
- 4) Befestigen Sie den Clip des Sicherheitsschlüssels an Ihrer Kleidung, und stellen Sie sicher, dass er sich beim Laufen nicht lösen kann.

### A) SCHNELLSTART

Drücken Sie ►, um mit dem Training zu beginnen. Die Zeit fängt bei 0:00 an zu laufen. Das Training startet mit der niedrigsten Neigung und Geschwindigkeit.

### B) PROGRAMMAUSWAHL

- 1) Wählen Sie mithilfe der **PROGRAMMTASTEN** und drücken Sie ✓.
- 2) Befolgen Sie die Anleitungen im **ANLEITUNGSCENTER**, um Ihre Trainingsprogramminformationen mithilfe von ▲▼ oder des **ZIFFERNBLOCKS** einzustellen. Drücken Sie nach jeder Auswahl ✓.
- 3) Drücken Sie ►, um mit dem Training zu beginnen.

HINWEIS: Während des Trainings können Sie Geschwindigkeit und Neigung manuell einstellen.

### C) BEENDEN DES TRAININGS

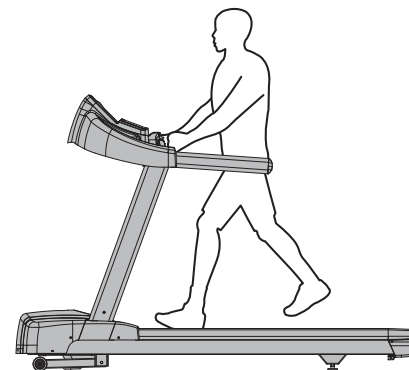
Wenn Sie Ihr Training abgeschlossen haben, zeigt die Konsole Ihre Trainingsinformationen an.

### AKTUELLE AUSWAHL ZURÜCKSETZEN

Um die aktuelle Programmauswahl oder den aktuellen Bildschirm zurückzusetzen, halten Sie **STOP** ■ 3 Sekunden lang gedrückt.

## ORDNUNGSGEMÄSSER GEBRAUCH

Steigen Sie auf die Laufmatte, beugen Sie Ihre Arme leicht und umschließen Sie die Pulsgriffe (wie in der Abbildung). Achten Sie beim Laufen darauf, dass Sie Ihre Füße mittig auf dem Laufband aufsetzen und Ihre Arme schwingen können, ohne in Kontakt mit den vorderen Haltestangen zu geraten.



Ihr Laufband kann sehr hohe Geschwindigkeiten erreichen. Starten Sie stets mit einer niedrigen Geschwindigkeit und passen Sie die Geschwindigkeit in kleinen Schritten an, um eine höhere Geschwindigkeit zu erreichen. Lassen Sie ein laufendes Laufband niemals unbeaufsichtigt. Schalten Sie das Laufband ab und trennen Sie es vom Stromnetz, wenn es nicht benutzt wird. Befolgen Sie den **WARTUNGSPLAN** in diesem Handbuch, um eine optimale Leistung sicherzustellen und vorzeitigen Verschleiß der Elektronik zu vermeiden. Halten Sie Kopf und Körper auf dem Laufband stets nach vorne gerichtet. Versuchen Sie nicht, sich umzudrehen oder nach hinten zu blicken, während das Laufband läuft. Brechen Sie das Training sofort ab, wenn Sie Schmerzen, Benommenheit, Schwindel oder Kurzatmigkeit verspüren.





## VOR DER INBETRIEBNAHME

### STANDORT DES LAUFBANDS

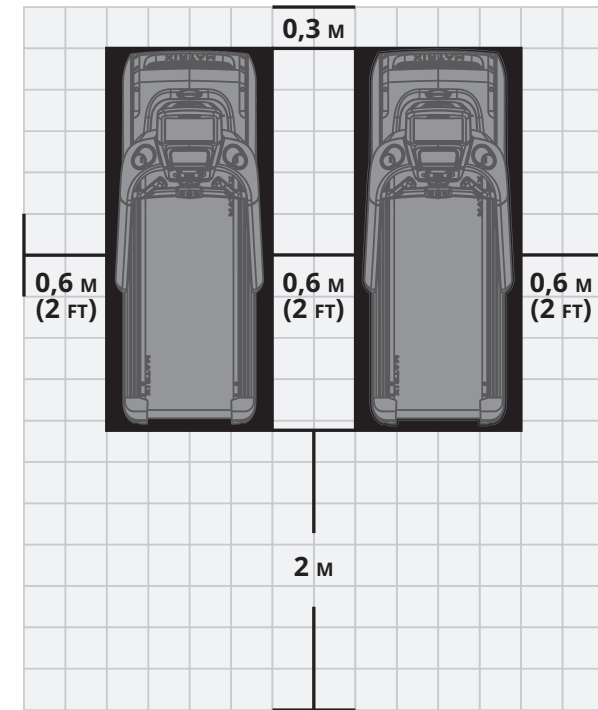
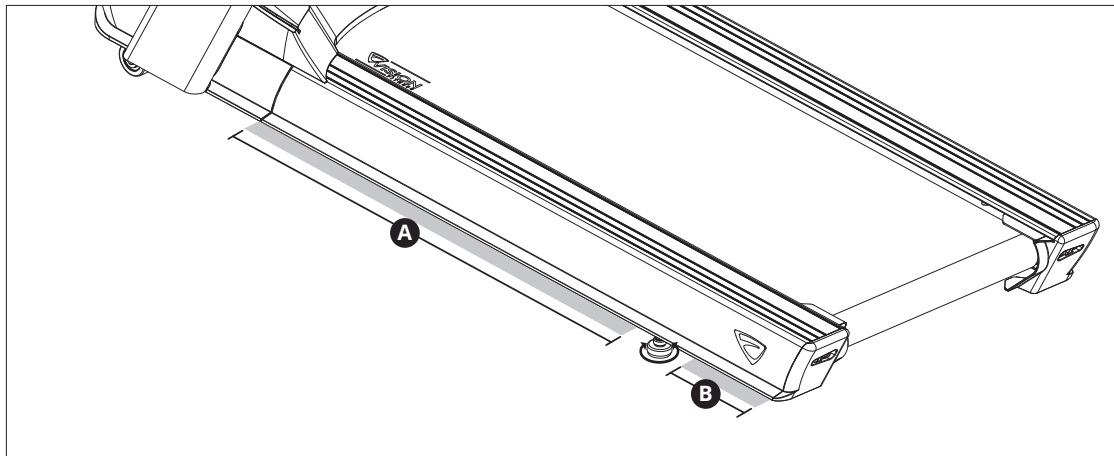
Platzieren Sie das Gerät auf einer ebenen und stabilen Oberfläche, wo es vor direkter Sonneneinstrahlung geschützt ist. Intensives UV-Licht kann zu einem Ausbleichen der Kunststoffkomponenten führen. Platzieren Sie das Gerät in einem Bereich mit kühlen Temperaturen und geringer Luftfeuchtigkeit. Lassen Sie hinter dem Laufband einen Bereich frei, der mindestens so breit wie das Laufband und mindestens 2 Meter lang ist. In diesem Bereich dürfen sich keine Hindernisse befinden und Nutzer müssen einen freien Zu- und Abstieg vom Gerät haben. Auf beiden Seiten des Laufbands sollten sich mindestens 60 Zentimeter Freiraum befinden, damit Nutzer von beiden Seiten ungehindert an das Gerät herantreten können. Platzieren Sie das Laufband so, dass keine der Geräteöffnungen blockiert werden. Das Laufband sollte nicht in einer Garage, auf einer überdachten Terrasse, in der Nähe von Wasser oder im Freien aufgestellt werden.

### EINRICHTEN DER JUSTIERFÜSSE

Es ist äußerst wichtig, dass die Justierfüße richtig eingestellt sind, um einen ordnungsgemäßen Betrieb zu gewährleisten. Drehen Sie die Justierfüße im Uhrzeigersinn, um das Laufband abzusenken, oder gegen den Uhrzeigersinn, um es zu erhöhen. Stellen Sie jede Seite ein, bis das Laufband waagrecht steht. Bei einem schlecht ausgerichteten Gerät können Probleme mit dem Antrieb und andere Probleme auftreten. Verwenden Sie am besten eine Wasserwaage.

### TRANSPORT DES LAUFBANDS

Um eine Beschädigung des Laufbands beim Transport zu vermeiden, heben Sie es nur in den Bereichen **A** oder **B** an, wie in der Abbildung dargestellt.



### WARNUNG!

Unsere Geräte sind schwer. Gehen Sie umsichtig vor und holen Sie gegebenenfalls Unterstützung einer zweiten Person, um das Gerät zu verschieben. Befolgen Sie diese Anweisungen, um Verletzungen zu vermeiden. Betreiben Sie das Gerät nicht, wenn Kabel oder Stecker beschädigt sind, das Gerät nicht richtig funktioniert, es beschädigt oder in Wasser getaucht worden ist. Wenden Sie sich an den technischen Kundendienst, um Ersatz oder Reparatur zu beantragen.



## SPANNEN DER LAUFMATTE

Nachdem Sie das Laufband am Ort seiner Nutzung aufgestellt haben, muss die Laufmatte ordnungsgemäß gespannt und zentriert werden. Nach zwei Stunden des ersten Gebrauchs müssen möglicherweise Nachjustierungen vorgenommen werden. Temperatur, Luftfeuchtigkeit und Nutzung führen zu einer unterschiedlichen Ausdehnung der Laufmatte. Fängt das Band an zu rutschen, wenn ein Nutzer darauf läuft, sollten Sie die nachfolgenden Schritte durchführen.

- 1) Suchen Sie die beiden Sechskantschrauben an der Rückseite des Laufbands. Die Schrauben befinden sich am hinteren Ende des Laufbandrahmens. Diese Schrauben dienen zur Einstellung der hinteren Bandwalze. Stellen Sie diese Schrauben erst ein, wenn das Laufband in Betrieb ist. So verhindern Sie, dass eine Seite zu fest angezogen wird.
- 2) Die Laufmatte sollte auf beiden Seiten denselben Abstand zum Rahmen aufweisen. Wenn die Laufmatte den Rahmen auf einer Seite berührt, starten Sie das Laufband nicht. Drehen Sie die Schrauben auf jeder Seite um ca. eine Umdrehung gegen den Uhrzeigersinn. Zentrieren Sie die Laufmatte von Hand, bis sie parallel zu den seitlichen Rahmenflächen verläuft. Ziehen Sie die Schrauben genau so fest, wie Sie sie zuvor gelockert haben – ca. eine Umdrehung. Überprüfen Sie die Laufmatte auf Schäden.
- 3) Starten Sie das Laufband, indem Sie die Starttaste drücken. Erhöhen Sie die Geschwindigkeit auf ca. 4,8 kmh und beobachten Sie die Ausrichtung der Laufmatte. Wenn sie sich nach rechts bewegt, ziehen Sie die rechte Schraube um eine Vierteldrehung im Uhrzeigersinn und lockern Sie die linke Schraube ebenfalls um eine Vierteldrehung. Bewegt sich die Laufmatte nach links, ziehen Sie die linke Schraube um eine Vierteldrehung im Uhrzeigersinn und lockern Sie die rechte Schraube um eine Vierteldrehung. Wiederholen Sie Schritt 3, bis die Laufmatte für mehrere Minuten zentriert bleibt.
- 4) Überprüfen Sie die Spannung der Laufmatte. Die Laufmatte sollte eng am Gerät anliegen. Wenn eine Person auf der Laufmatte geht oder läuft, sollte sie nicht ruckeln oder rutschen. Ist dies der Fall, spannen Sie die Laufmatte, indem Sie beide Schrauben eine Vierteldrehung im Uhrzeigersinn anziehen. Wiederholen Sie den Vorgang, falls erforderlich.

**HINWEIS:** Verwenden Sie den orangefarbenen Streifen an der Seite der Trittplächen als Anhaltspunkt, um zu verifizieren, dass die Laufmatte ordnungsgemäß zentriert ist. Die Laufmatte muss so lange angepasst werden, bis ihre Kante parallel zum orangefarbenen oder weißen Streifen verläuft.

## WARNUNG!

Erhöhen Sie die Geschwindigkeit beim Zentrieren nicht über 4,8 kmh. Halten Sie ihre Finger, Haare und Bekleidung stets von der Laufmatte fern.

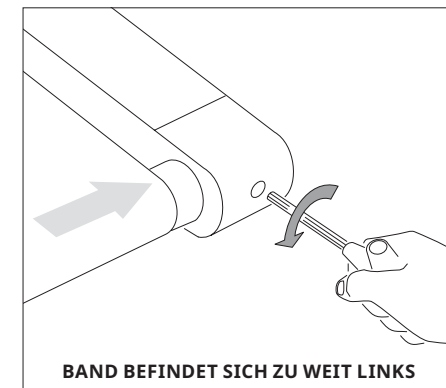
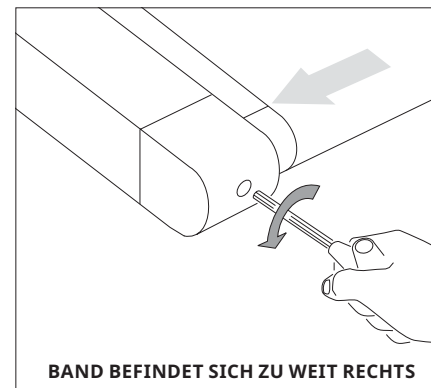
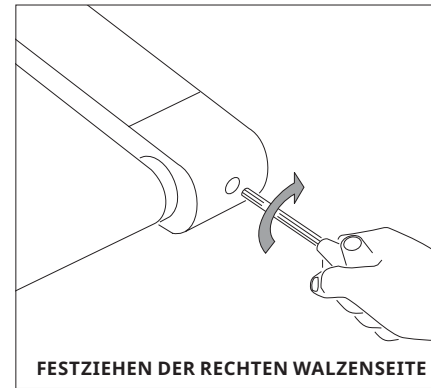
Bei Laufbändern mit seitlichen Handläufen und einer Haltestange zur Unterstützung drücken Sie im Falle eines Notausstiegs den Notknopf, um das Gerät für den Notausstieg zu stoppen.

## VOR DEM GEBRAUCH DES LAUFBANDS

Führen Sie die Schritte zur Inbetriebnahme durch und kalibrieren Sie das Gerät mithilfe der automatischen Kalibrierungsfunktion, die im Manager- oder Engineering-Modus zur Verfügung steht.

### HINWEISE:

- Stehen Sie nicht auf der Laufmatte, während die automatische Kalibrierung durchgeführt wird.
- Verstellen Sie nicht die Neigung, bis die Schritte zur Inbetriebnahme und die automatische Kalibrierung durchgeführt wurden.
- Starten Sie beim Spannen der Laufmatte NICHT das Laufband und drücken Sie nicht die Geschwindigkeitstasten, bis dies gemäß den Anleitungen erforderlich ist.





# VORSICHT!

DEUTSCH

## VERLETZUNGSGEFAHR VON PERSONEN

Während Sie die Verwendung des Laufbands vorbereiten, stehen Sie nicht auf der Laufmatte. Bevor Sie das Laufband starten, stellen Sie sich auf die seitlichen Trittplächen. Beginnen Sie, auf dem Laufband zu gehen, nachdem sich die Laufmatte in Bewegung gesetzt hat. Starten Sie das Laufband niemals mit einer hohen Geschwindigkeit und versuchen auf das Band aufzuspringen! Halten Sie sich im Notfall mit beiden Händen an den seitlichen Haltestangen fest und stellen Sie sich auf die seitlichen Trittplächen.

## FUNKTION DES SICHERHEITSSCHLÜSSELS

Ihr Laufband startet erst, wenn der Notknopf zurückgesetzt wurde. Befestigen Sie den Clip sicher an Ihrer Kleidung. Der Sicherheitsschlüssel trennt das Laufband von der Stromversorgung, wenn Sie stürzen und den Schlüssel herausziehen. Überprüfen Sie die Funktionsfähigkeit des Sicherheitsschlüssels alle zwei Wochen.

## WARNUNG!

Verwenden Sie das Laufband niemals, ohne den Sicherheitsschlüssel mit dem Clip an Ihrer Kleidung befestigt zu haben. Ziehen Sie zunächst am Clip, um sicherzugehen, dass sich dieser nicht von Ihrer Kleidung löst.

Starten Sie das Laufband nur in einer überwachten Umgebung im Rückwärtsgang. Die maximale Geschwindigkeit beträgt ca. 3,2 kmh und sollte nur durch autorisiertes Servicepersonal geändert werden.

Ihr Laufband kann sehr hohe Geschwindigkeiten erreichen. Starten Sie stets mit einer niedrigen Geschwindigkeit und passen Sie die Geschwindigkeit in kleinen Schritten an, um eine höhere Geschwindigkeit zu erreichen. Lassen Sie ein laufendes Laufband niemals unbeaufsichtigt. Schalten Sie das Laufband ab und trennen Sie es vom Stromnetz, wenn es nicht benutzt wird. Befolgen Sie den WARTUNGSPLAN in diesem Handbuch, um eine optimale Leistung sicherzustellen und vorzeitigen Verschleiß der Elektronik zu vermeiden. Halten Sie Kopf und Körper auf dem Laufband stets nach vorne gerichtet. Versuchen Sie nicht, sich umzudrehen oder nach hinten zu blicken, während das Laufband läuft. Brechen Sie das Training sofort ab, wenn Sie Schmerzen, Benommenheit, Schwindel oder Kurzatmigkeit verspüren.

# VERWENDUNG DER HERZFREQUENZFUNKTION

Die Herzfrequenzmessung dieses Produkts ist keine medizinische Funktion. Herzfrequenzmesser an Griffen erlauben zwar eine relative Abschätzung der tatsächlichen Herzfrequenz, sollten aber nicht als zuverlässig angesehen werden, wenn exakte Messwerte erforderlich sind. Einige Menschen, z. B. Teilnehmer eines Kardio-Reha-Programms, sollten ein zusätzliches Herzfrequenzüberwachungssystem wie einen Brust- oder Handgelenksgurt nutzen. Verschiedene Faktoren, unter anderem die Bewegung des Anwenders, können die Genauigkeit der Herzfrequenzmessung beeinflussen. Die Herzfrequenzmessung ist nur als Unterstützung beim Training und zum Ermitteln von allgemeinen Herzfrequenztrends gedacht. Bitte wenden Sie sich bei Fragen an Ihren Arzt.

## PULSGRIFFE

Legen Sie die Handinnenflächen direkt auf die Pulsgriffe. Beide Hände müssen die Sensoren umschließen, damit die Herzfrequenz gemessen werden kann. Nach fünf aufeinanderfolgenden Herzschlägen (15-20 Sekunden) wird Ihre Herzfrequenz erfasst. Halten Sie sich nicht zu sehr an den Pulsgriffen fest. Wenn Sie die Griffe besonders fest halten, kann sich Ihr Blutdruck erhöhen. Umschließen Sie die Griffe vollständig aber locker. Es kann zu schwankenden Anzeigewerten kommen, wenn Sie den Pulsgriff über eine längere Zeit halten. Halten Sie die Pulssensoren sauber, damit der Kontakt gewährleistet bleibt. Die Pulsgriffe dienen lediglich zur Pulsmessung.

## WARNUNG!

Herzfrequenzüberwachungssysteme können ungenaue Daten anzeigen. Exzessives Training kann zu ernsthaften Verletzungen oder Tod führen. Brechen Sie das Training sofort ab, wenn Sie Schwindel oder Benommenheit fühlen.

# PRODUKTSPEZIFIKATIONEN

Max. Benutzergewicht	182 kg
Produktgewicht	178 kg
Versandgewicht	210 kg
Gesamtabmessungen (L x B x H)	215 x 91 x 154 cm

\* Stellen Sie einen Mindestabstand von 0,6 Metern für den Zugang und Durchgang rund um das VISION-Gerät sicher. Bitte beachten Sie, dass für Personen in Rollstühlen der von der ADA empfohlene Freiraum 0,91 Meter beträgt.

# WARTUNG

Jegliche Reparatur oder jeglicher Ersatzteilaustausch muss von qualifiziertem Fachpersonal vorgenommen werden.

- 1) Verwenden Sie KEIN Gerät, das beschädigt ist oder abgenutzte bzw. beschädigte Komponenten aufweist. Verwenden Sie nur Ersatzteile, die Sie über einen lokalen VISION Händler in Ihrem Land erworben haben.
- 2) HALTEN SIE ETIKETTEN UND SCHILDER INSTAND: Entfernen Sie die Etiketten nicht. Sie enthalten wichtige Informationen. Wenn sie unleserlich geworden sind oder fehlen, wenden Sie sich an Ihren VISION Händler, um Ersatz zu erhalten.
- 3) WARTEN SIE GERÄT UND ZUBEHÖR: Eine präventive Wartung ist für den störungsfreien Betrieb des Geräts sowie für den Erhalt der Garantie unerlässlich. Geräte und Zubehör müssen regelmäßig überprüft werden.
- 4) Stellen Sie sicher, das Wartungs- oder Reparaturarbeiten ausschließlich von Fachpersonal durchgeführt werden. VISION Händler bieten auf unserem Firmengelände auf Anfrage Service- und Wartungskurse an.

## WARNUNG!

Um das Laufband vom Stromnetz zu trennen, muss das Netzkabel aus der Steckdose gezogen werden.

## TIPPS ZUR REINIGUNG

Die präventive Wartung und tägliche Reinigung maximiert die Lebensdauer und sorgt für ein gutes Aussehen Ihrer Geräte.

- 1) Verwenden Sie ein weiches, sauberes Baumwolltuch. Verwenden Sie KEINE Papiertücher zum Reinigen der Laufbandoberflächen. Papiertücher sind abrasiv und können die Oberfläche beschädigen.
- 2) Verwenden Sie mildes Reinigungsmittel und ein feuchtes Tuch. Verwenden Sie NICHT ammoniak- oder alkoholhaltige Reiniger. Dies kann zu Verfärbungen der Aluminium- oder Kunststoffoberflächen führen.
- 3) Schütten Sie weder Wasser noch Reinigungsmittel auf die Oberflächen. Dies führt zu einem hohen Stromschlagrisiko.
- 4) Wischen Sie die Konsole, die Pulsgriffe, Haltestangen und Trittflächen nach jedem Gebrauch ab.
- 5) Bürsten Sie Wachsablagerungen von der Laufmatte und anderen Bereichen ab. Dies kann anfangs vorkommen, bis sich das Wachs vollständig in die Laufmatte eingearbeitet hat.
- 6) Entfernen Sie jegliche Hindernisse, die die Neigungsräder behindern könnten, inklusive Stromkabel.

Verwenden Sie zum Reinigen der Touchscreens destilliertes Wasser in einer Sprühflasche. Sprühen Sie das destillierte Wasser auf ein weiches, sauberes und trockenes Tuch. Wischen Sie den Touchscreen, bis er sauber und trocken ist. Bei stark verunreinigten Displays empfiehlt sich die Zugabe von etwas Essig.

## ACHTUNG!

Stellen Sie sicher, dass Sie beim Aufbau und Transport des Geräts ausreichend Hilfe haben, um Verletzungen oder Schäden am Gerät zu vermeiden.

## WARTUNGSPLAN

AKTION	HÄUFIGKEIT
Trennen Sie das Gerät vom Stromnetz. Reinigen Sie das gesamte Trainingsgerät mit einem weichen Tuch, Küchenpapier oder einer anderen bewährten Lösung (nur alkohol- und ammoniakfreie Reinigungsmittel).	TÄGLICH
Überprüfen Sie das Stromkabel. Wenn das Stromkabel beschädigt ist, kontaktieren Sie den technischen Kundensupport.	TÄGLICH
Stellen Sie sicher, dass sich das Kabel nicht unter dem Gerät oder in einem anderen Bereich befindet, in dem es während des Gebrauchs oder bei der Aufbewahrung abgequetscht oder abgetrennt werden könnte.	TÄGLICH
Trennen Sie das Laufband vom Stromnetz und entfernen Sie die Motorabdeckung. Überprüfen Sie, ob Verschmutzungen vorliegen und entfernen Sie diese mit einem trockenen Tuch oder einer kleinen Staubsaugerdüse. <b>WARNUNG:</b> Schließen Sie das Laufband erst wieder am Stromnetz an, wenn die Motorabdeckung erneut installiert wurde.	MONATLICH
Bei Konsolen mit Touchscreen wechseln Sie in den Servicemodus und wählen Sie „Test“. Wählen Sie „Touch-Kalibrierung“ und dann „Start“. Folgen Sie den Anweisungen auf dem Bildschirm und berühren Sie das Display entsprechend.	VIERTELJÄHRLICH
Reinigen Sie die IR Sensoren (an den Konsolenmasten) mit einem Wattestäbchen und Alkohol.	VIERTELJÄHRLICH

## AUSTAUSCH VON LAUFDECK UND LAUFMATTE

Zu den am meisten strapazierten Komponenten des Laufbands gehört die Laufdeck-/ Laufmattenkombination. Werden diese beiden Komponenten nicht richtig gewartet, kann dies zu Schäden an anderen Komponenten führen. Dieses Produkt wurde mit dem modernsten, wartungsfreien Schmieresystem auf dem Markt ausgestattet.

## WARNUNG!

Nehmen Sie das Laufband nicht in Betrieb, während Sie Matte und Deck reinigen. Dies kann zu schweren Verletzungen und Schäden am Gerät führen. Warten Sie Laufdeck-/Laufmatte, indem Sie beide Seiten der Matte und des Decks mit einem sauberen Tuch abwischen. Nutzer können auch auf beiden Seiten bis zu 5 cm weit unter der Matte wischen, um Staub und Verunreinigungen zu entfernen. Das Deck kann durch autorisiertes Servicepersonal umgedreht und neu installiert oder ersetzt werden. Wenden Sie sich an Vision Fitness Systems, um weitere Informationen zu erhalten.





# NEDERLANDS



# BELANGRIJKE VOORZORGSMAATREGELEN

## BEWAAR DEZE INSTRUCTIES

- Bij het gebruik van een loopband dienen altijd basisvoorzorgen te worden aangehouden, inclusief de volgende: Lees alle instructies voor u deze apparatuur gebruikt. De eigenaar is er verantwoordelijk voor dat alle gebruikers van de apparatuur afdoende geïnformeerd worden over alle waarschuwingen en voorzorgsmaatregelen.
- Deze apparatuur is bedoeld voor commercieel gebruik. Lees alle instructies voor gebruik om uw veiligheid te waarborgen en de apparatuur te beschermen.

## GEVAAR!

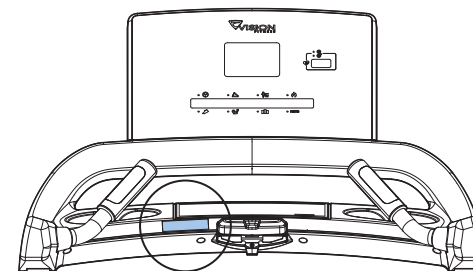
### OM HET RISICO OP ELEKTRISCHE SCHOKKEN TE VERKLEINEN:

- Trek altijd de stekker van het apparaat uit het stopcontact onmiddellijk na gebruik, voordat u het schoonmaakt, onderhoud uitvoert en onderdelen aan- of afbouwt.

## WAARSCHUWING!

### OM HET RISICO VAN VERBRANDING, BRAND, ELEKTRISCHE SCHOKKEN OF LICHAAMELIJK LETSEL TE VERMINDEREN:

- Onjuiste of overmatige lichaamsbeweging kan letsel veroorzaken. Als u pijn ervaart, met inbegrip van - maar niet beperkt tot - pijn op de borst, misselijkheid, duizeligheid of kortademigheid, stop dan direct uw training en raadpleeg uw arts voor u verder gaat.
- Houdt altijd een comfortabel tempo aan tijdens de training.
- Draag geen kleding die aan een onderdeel van de loopband kan blijven haken.
- De gebruiker moet geschikt schoeisel (zoals sportschoenen) dragen bij gebruik van dit trainingstoestel.
- Spring niet op de loopband.
- Er mag zich nooit meer dan een persoon tegelijk op de loopband bevinden terwijl deze gebruikt wordt.
- Deze loopband mag niet worden gebruikt door personen met een gewicht dat hoger is dan gespecificeerd in de GEBUIKERSHANDLEIDING. Indien u zich hier niet aan houdt zal de garantie komen te vervallen.
- Sluit de stroomtoevoer af voordat u het apparaat onderhoudt of verplaatst.
- Wrijf oppervlakken alleen schoon met zeep en een licht vochtige doek om het toestel schoon te maken; gebruik nooit oplosmiddelen. (zie ONDERHOUD)
- Trek de stekker uit het stopcontact wanneer u het niet gebruikt en voordat u onderdelen aanbrengt of verwijdert.
- Sluit dit trainingsapparaat alleen aan op een geaard stopcontact.
- Verwijder de beschermde deksels alleen als dit is voorgeschreven door een professional en uw lokale dealer. Onderhoud mag alleen worden uitgevoerd door een bevoegde servicemonteur.
- Installatie van onderdelen of accessoires die niet origineel zijn bedoeld of compatibel zijn met de apparatuur zoals deze wordt verkocht, maken de garantie ongeldig en kunnen de veiligheid beïnvloeden.
- Gemeten op de gebruikelijke hoogte van het hoofd, is het A-gewogen geluidsdruk niveau wanneer de loopband met 12 km/uur (zonder belasting) loopt niet groter dan 70 dB.
- De geluidsemisatie onder belasting is hoger dan zonder belasting.
- Huisdieren of kinderen jonger dan 14 jaar mogen NOOIT dichterbij dan 3 meter bij de loopband komen.
- Kinderen jonger dan 14 jaar mogen de loopband NOOIT gebruiken.
- Kinderen ouder dan 14 mogen de loopband niet gebruiken zonder toezicht van een volwassene.
- Deze apparatuur is niet bedoeld voor gebruik door personen met verminderde lichamelijke, zintuiglijke of geestelijke vermogens, of gebrek aan ervaring of kennis, tenzij zij dit onder toezicht doen of instructies hebben ontvangen over het gebruik van de apparatuur door iemand die verantwoordelijk is voor hun veiligheid.
- Gebruik de loopband uitsluitend zoals beoogd, en zoals omschreven in de gebruikshandleiding.
- Gebruik de loopband nooit als het netsnoer of de stekker beschadigd is, als het niet goed werkt, als het is gevallen of is beschadigd, of ondergedompeld is in water. Neem contact op met de technische klantenservice voor onderzoek en reparatie.
- Om het risico van een elektrische schok te voorkomen, mag dit apparaat alleen worden aangesloten op een circuit met niet-geluste (geïsoleerde) aarde.
- Houd het netsnoer uit de buurt van warmtebronnen. Draag dit apparaat niet aan het netsnoer en gebruik het netsnoer niet als handvat.
- Gebruik de loopband nooit als de luchtopening geblokkeerd is. Houd de luchtopening schoon en vrij van stof, haren en dergelijke.
- Laat nooit voorwerpen in een opening vallen en steek nooit voorwerpen in openingen om elektrische schokken te voorkomen.
- Niet gebruiken waar aerosols (spuitbussen) worden gebruikt of als zuurstof wordt toegevoerd.
- Om het toestel uit te schakelen zet u alle bedieningselementen in de uit-stand en trekt u de stekker uit het stopcontact.
- Gebruik de loopband niet op een locatie zonder temperatuurcontrole, zoals - maar niet beperkt tot - garages, veranda's, zwembadruimtes, badkamers, carports of buiten. Indien u zich hier niet aan houdt kan de garantie komen te vervallen.
- Het verwijderen van beschermende toegangspanelen mag ALLEEN worden uitgevoerd door een gekwalificeerde servicemonteur. Zorg er na het vervangen van toegangspanelen voor dat alle bevestigingen correct opnieuw worden geïnstalleerd.
- Om letsel te voorkomen, gaat u op de zijrails staan voordat u de loopband start.
- Hartslagmonitors kunnen onnauwkeurig zijn.
- Overmatig trainen kan leiden tot ernstig letsel of de dood.
- Stop uw training direct als u zich duizelig begint te voelen.
- Om een onjuiste aansluiting van het netsnoer op de stroomaansluiting van het apparaat te voorkomen, installeert u het netsnoerhouder nadat u het netsnoer op de machine hebt aangesloten.



PLAATS WAARSCHUWINGSLABEL HIER



## PAS OP!

### RAADPLEEG EEN ARTS VOOR U DEZE APPARATUUR GEBRUIKT. LEES DE GEBUIKERSHANDLEIDING VOOR GEBRUIK.

- Het is essentieel dat deze apparatuur alleen binnen gebruikt wordt, in een klimaatgecontroleerde ruimte. Als deze apparatuur is blootgesteld aan koudere temperaturen of een vochtige omgeving wordt het ten zeerste aangeraden om de apparatuur voor het eerste gebruik op kamertemperatuur te brengen. Indien u dit niet doet kan dit leiden tot voortijdige elektronische storingen. De aanvankelijke (standaard) startsnellheid is 0,8 km/uur. Wanneer de standaard startsnellheid te hoog is ingesteld, kan dit gevaarlijk zijn.



## BENODIGD VERMOGEN

### EIGEN CIRCUIT EN ELEKTRISCHE INFO

Een "eigen circuit" betekent dat elk stopcontact waarop u het apparaat aansluit geen ander apparaat op hetzelfde circuit mag hebben. De eenvoudigste manier om dit te controleren is door in de elektriciteitskast de stroomonderbreker(s) één voor één uit te schakelen. Als een stroomonderbreker eenmaal is uitgeschakeld, mag alleen het desbetreffende apparaat geen stroom meer hebben. Lampen, verkoopautomaten, ventilatoren, geluidssystemen of andere onderdelen mogen bij het uitvoeren van deze test geen stroom verliezen. Niet-geluste (geïsoleerde) nul/aarde betekent dat elk circuit een eigen nul/aarde-verbinding moet hebben die afkomstig is van dit circuit en eindigt bij een goedgekeurde aarde. U kunt geen enkele nul/massa van het ene circuit naar het andere "doorverbinden".

### ELEKTRISCHE VEREISTEN

Voor uw veiligheid en om een goede werking van de loopband te garanderen, moet de aarding van dit circuit niet-gelust zijn (geïsoleerd). Zie NEC artikel 210-21 en 210-23. Uw loopband is voorzien van een netsnoer met een hieronder vermelde stekker en vereist het aangegeven stopcontact. Wijzigingen aan dit netsnoer kunnen alle garanties van dit product ongeldig maken.

### 220 V APPARATEN

Alle Vision 220 V loopbanden vereisen het gebruik van een 216-250 V, 50 Hz en een 20 A "Eigen Circuit", met een niet-geluste (geïsoleerde) nul/aarde als voeding. Dit stopcontact moet een NEMA 6-20R zijn en dezelfde configuratie hebben als de stekker. Er mag geen adapter worden gebruikt met dit product.

### AARDINGSINSTRUCTIES

De apparatuur moet geaard zijn. Als het apparaat niet goed werkt of defect raakt, biedt de aarding de minste weerstand voor elektrische stroom om het risico van elektrische schokken te beperken. Het toestel is uitgerust met een netsnoer met een aardekabel en een geaarde stekker. De stekker moet worden aangesloten op een geschikt stopcontact dat correct is geïnstalleerd en geaard in overeenstemming met alle plaatselijke voorschriften. Als de gebruiker deze aardingsinstructies niet opvolgt, kan de gebruiker de beperkte garantie van Vision ongeldig maken.

### EXTRA ELEKTRISCHE INFORMATIE

Naast de vereiste van een eigen circuit moet de juiste kabeldikte worden gebruikt van de elektriciteitskast naar elk stopcontact waar het maximale aantal apparaten op is aangesloten. Als de afstand tussen de elektriciteitskast en elk stopcontact minder dan 30,5 m bedraagt, moet een draad met een diameter van 2,05 mm (12 gauge) worden gebruikt. Voor afstanden groter dan 30,5 m (100 ft) van de elektriciteitskast naar het stopcontact moet een draad van 2,59 mm (10 gauge) worden gebruikt.

### ENERGIEBESPARING/SPAARSTAND

Alle apparaten zijn geconfigureerd met de mogelijkheid om een energiebesparings-/ spaarstand in te schakelen wanneer het apparaat gedurende een bepaalde tijd niet is gebruikt. Er kan extra tijd nodig zijn om dit toestel volledig opnieuw in te schakelen zodra het in de spaarstand is geschakeld. Deze energiebesparingsfunctie kan worden in- of uitgeschakeld vanuit de 'Beheerdersmodus' of de 'Technische modus'.

## WAARSCHUWING!

Sluit dit trainingsapparaat alleen aan op een geaard stopcontact.

- Gebruik het product nooit met een beschadigd netsnoer of een beschadigde stekker, zelfs niet als het nog correct werkt. Gebruik het product nooit als het beschadigd lijkt of in water is ondergedompeld. Neem contact op met de technische klantenservice voor vervanging of reparatie.

Het niet naleven van deze specificaties kan schade aan uw product veroorzaken en kan de garantie ongeldig maken:

- Alle video- en wandcontactdozen moeten functioneel zijn op de dag van levering / montage van het product. De klant is verantwoordelijk voor eventuele extra installatiekosten in verband met retourbezoeken.
- De elektrische spanning kan in uw omgeving fluctueren. Gebruik de juiste kabeldikte om een stabiele werking van het product te garanderen.

## GEVAAR!

Een ondeskundige aansluiting van de aardleiding van de apparatuur kan elektrische schokken tot gevolg hebben. Neem contact op met een gekwalificeerde electricien of servicemonteur als u twijfelt of het product correct is geaard. Pas de stekker die bij het product is geleverd niet aan. Als de stekker niet in het stopcontact past, dient u een geschikt stopcontact te laten installeren door een gekwalificeerde electricien.



# MONTAGE

## UITPAKKEN

Pak het toestel uit waar u het gaat gebruiken. Zet de doos op een vlakke ondergrond. We raden u aan uw vloer ergens mee te beschermen. Open de doos nooit als deze op zijn kant ligt.

## BELANGRIJKE OPMERKINGEN

Controleer tijdens iedere stap van de montage of ALLE bouten en moeren op de juiste plek zitten en deels zijn aangedraaid. Verschillende onderdelen zijn vooraf gesmeerd om montage en gebruik te vergemakkelijken. Veeg dit alstublieft niet weg. Als u moeilijkheden ondervindt raden wij u aan wat lithiumvet aan te brengen.

## WAARSCHUWING!

Er zijn verschillende stappen tijdens het montageproces waarbij speciale aandacht vereist is. Het is zeer belangrijk dat u de montagehandleiding goed opvolgt en dat u alle onderdelen goed vastdraait. Als u de montagehandleiding niet goed opvolgt, kunnen er onderdelen in het apparaat zitten die niet vastgedraaid zijn, die los lijken te zitten en die storende geluiden kunnen veroorzaken. Om schade aan de apparatuur te voorkomen, moet de montagehandleiding worden gelezen en moeten corrigerende maatregelen worden genomen.

## HULP NODIG?

Als u vragen heeft of onderdelen mist kunt u contact opnemen met de Technische Klantenservice. Ga naar [world.visionfitness.com](http://world.visionfitness.com) voor contactgegevens.

## BENODIGD GEREEDSCHAP:

- 8mm T-sleutel
- 8mm inbussleutel
- 6 mm inbussleutel
- Kruiskopschroevendraaier

## MEEGELEVERDE ONDERDELEN:

- 1 basisframe
- 1 consolebasis-set
- 1 consoleset
- 2 consolemasten
- 2 handgrepen
- 1 netsnoer
- 1 hardware kit

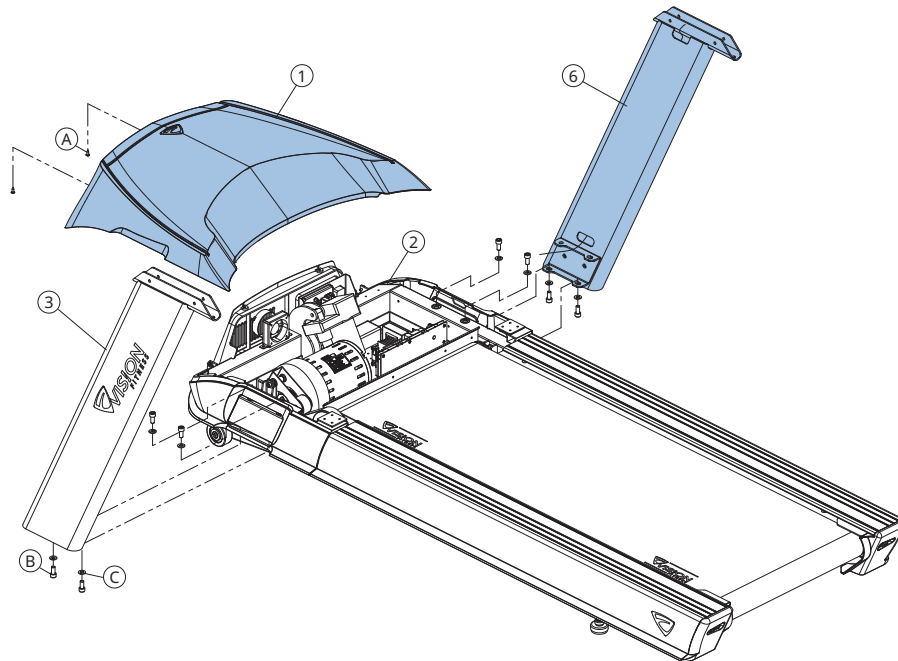
**1****BELANGRIJK: Draai de bouten niet vast voor u stap 3 uitgevoerd heeft.**

- Verwijder 2 vooraf geplaatste schroeven (A) en de **MOTORKAP (1)**.
- Open **HARDWARE VOOR STAP 1**.
- Bevestig de **LINKER CONSOLEMAST (3)** aan het **BASISFRAME (2)** met **4 BOUTEN (B)** en **4 PLATTE RINGEN (C)** boven en onder.
- Bevestig de **RECHTER CONSOLEMAST (6)** aan het **BASISFRAME (2)** met **4 BOUTEN (B)** en **4 PLATTE RINGEN (C)** boven en onder.

LET OP: Zorg dat er geen kabels beklemd raken als u de hangrepen bevestigt.

**Hardware voor stap 1**

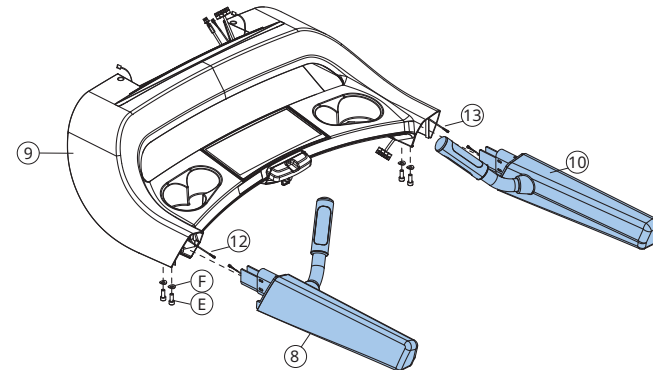
Omschrijving	Aantal
A Vooraf geplaatste schroef	2
B Bout	8
C Platte ring	8

**2**

- Open **HARDWARE VOOR STAP 2**.
- Sluit de **HARTSLAG-GREEPKABEL (12)** aan, leg de clip terzijde en plaats de kabels in de **LINKER HANDGREEP (8)** en schuif deze in de **CONSOLEBASIS (9)**.
- Sluit de **HARTSLAG-GREEPKABEL (13)** aan, leg de clip terzijde en plaats de kabels in de **RECHTER HANDGREEP (10)** en schuif deze in de **CONSOLEBASIS (9)**.
- Bevestig de **HANDGREPEN (8 & 10)** aan de **CONSOLEBASIS (9)** met **4 BOUTEN (E)** en **4 GEKROMDE RINGEN (F)**.

**Hardware voor stap 2**

Omschrijving	Aantal
E Bout	4
F Zadelring	4

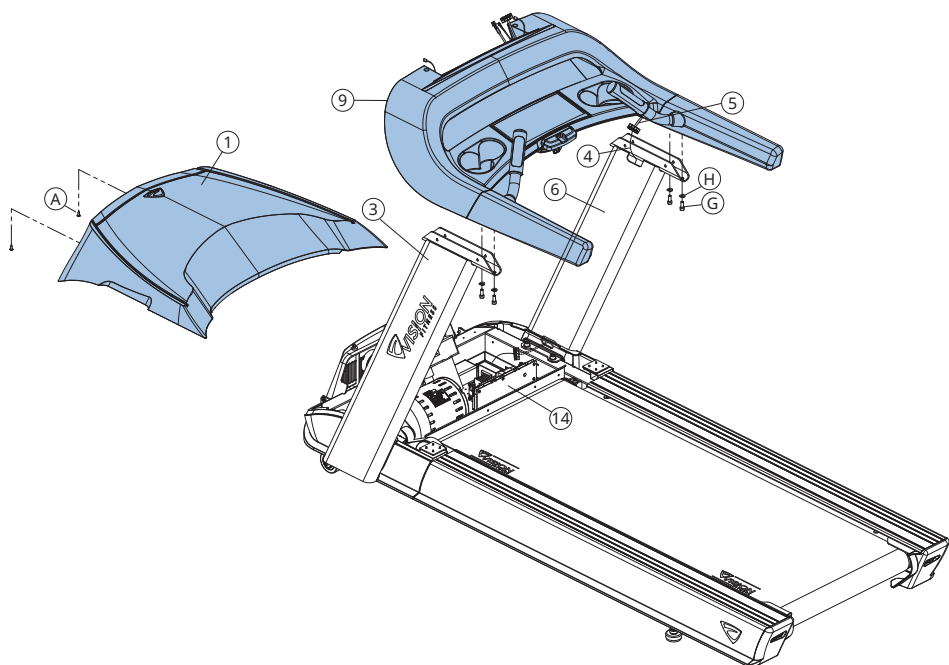


# 3

- Open **HARDWARE VOOR STAP 3**.
- Bevestig de **HOOFDKABEL (4)** aan de **CONSOLEKABEL (5)** en trek de hoofdkabel door de **RECHTER CONSOLEMAST (6)**. Nadat de aansluitdraad door de mast is getrokken, de bovenkant van de consolekabel moet worden aangesloten op de **MCB (14)**. Maak de hoofdkabel los en leg deze terzijde.
- Bevestig de **CONSOLEBASIS (9)** aan de **CONSOLEMASTEN (3 & 6)** met **4 BOUTEN (G)**, en **4 GEKROMDE RINGEN (H)**.
- Draai alle bouten van stap 1-3 vast.
- Installeer de **MOTORKAP (1)** met 2 vooraf geplaatste schroeven (A).

### Hardware voor stap 3

Omschrijving	Aantal
G Bout	4
H Zadelring	4

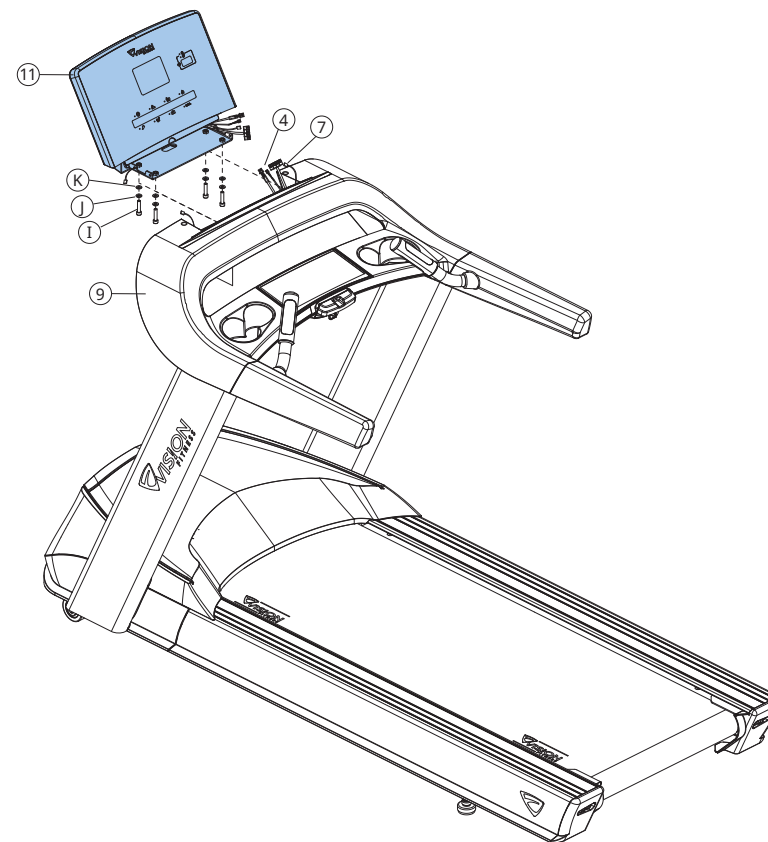


# 4

- Open **HARDWARE VOOR STAP 4**
- Sluit de **CONSOLEKABELS (4)** en **HARTSLAGKABELS (7)** aan op de **CONSOLE (11)** en plaats de resterende kabel voorzichtig in de **CONSOLEBASIS (9)**.
- Bevestig de **CONSOLE (11)** aan de **CONSOLEBASIS (9)** met **4 BOUTEN (I)** en **4 VEERRINGEN (J)** en **4 PLATTE RINGEN (K)**.

### Hardware voor stap 4

Omschrijving	Aantal
I Bout	4
J Veerring	4
K Platte ring	4





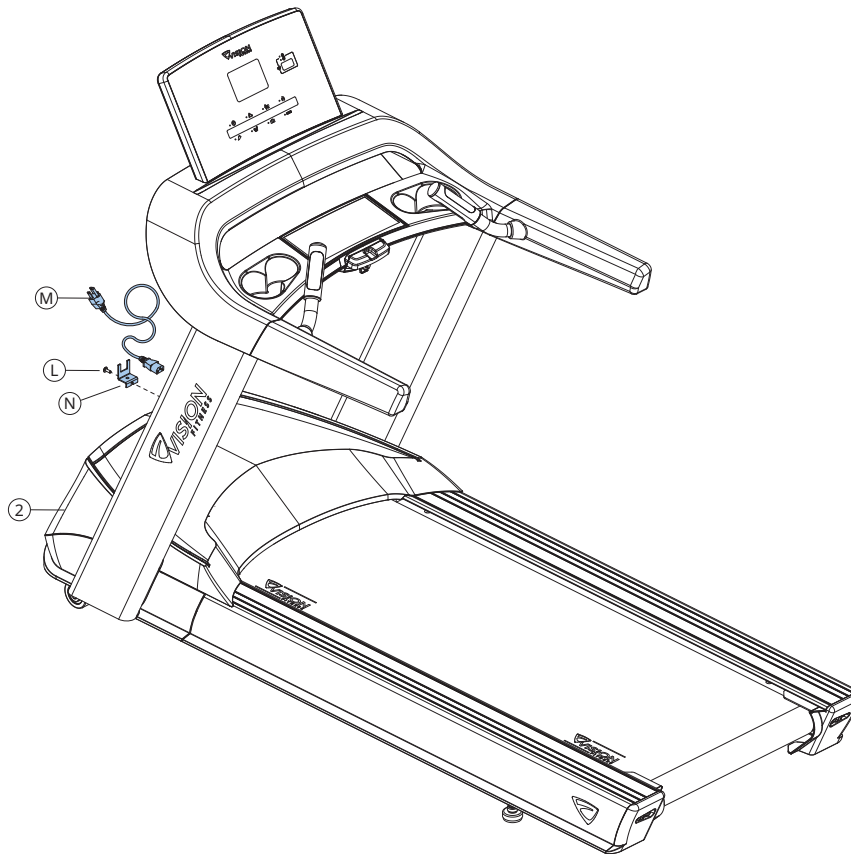
5

- Installeer het **NETSNOER (M)** aan het **BASISFRAME (2)**.
- Installeer de **BEVESTIGINGSPLAAT VOOR HET NETSNOER (N)** aan het **BASISFRAME (2)** met 1 **SCHROEF (L)**.

Hardware voor stap 5

Omschrijving	Aantal
L Schroef	1
M Netsnoer	1
N Bevestigingsplaat voor het netsnoer	1

**MONTAGE VOLTOOID!**





# BEDIENING CONSOLE

## A VENSTER PROGRAMMAPROFIEL

Geeft het profiel van het gebruikte programma weer (snelheid bij programma's gebaseerd op snelheid, en helling bij programma's op basis van helling).

## B HARTSLAG-CENTRUM

Toont uw actuele en doelhartslag tijdens de training. De console toont de hartslag binnen 15 tot 20 seconden van contact met de sensoren of bij gebruik van een hartslagborstband. In het programma DOELHARTSLAG wordt de ingevoerde doelhartslag elke 60 seconden op het venster weergegeven.

## C INSTRUCTIE-CENTRUM

Geeft stapsgewijze instructies weer voor het instellen van een programma. Tijdens een training toont het Tijd, Tempo, Helling, Afstand, Snelheid, Niveau, Calorieën en METS.

## D BEDIENINGSTOETSENBORD

Hiermee kan de gebruiker programma's instellen en de training controleren.

### 1 NUMERIEK TOETSENBORD

Wordt gebruikt om programmeergegevens in te voeren tijdens het instellen van het programma. Druk op ✓ om de instellingen te bevestigen. Druk op ↶ om gegevens die nog niet zijn ingevoerd tijdens het instellen van de training te verwijderen.

### 2 SNELHEID & HELLING

Gebruik ▲ ▼ om snelheid of helling aan te passen.

### 3 START ▶

Druk op om meteen met uw training te beginnen zonder een trainingsprogramma te selecteren.

### 4 STOP ■

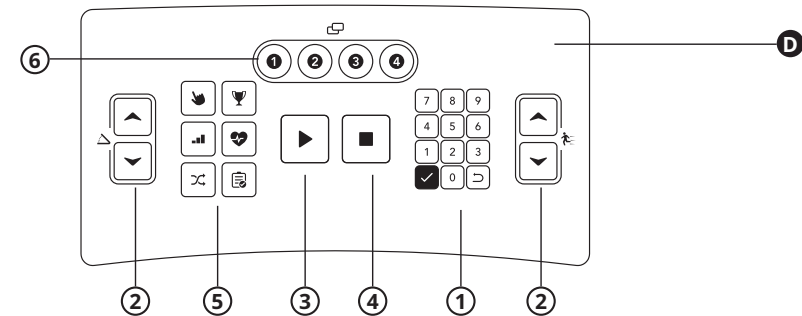
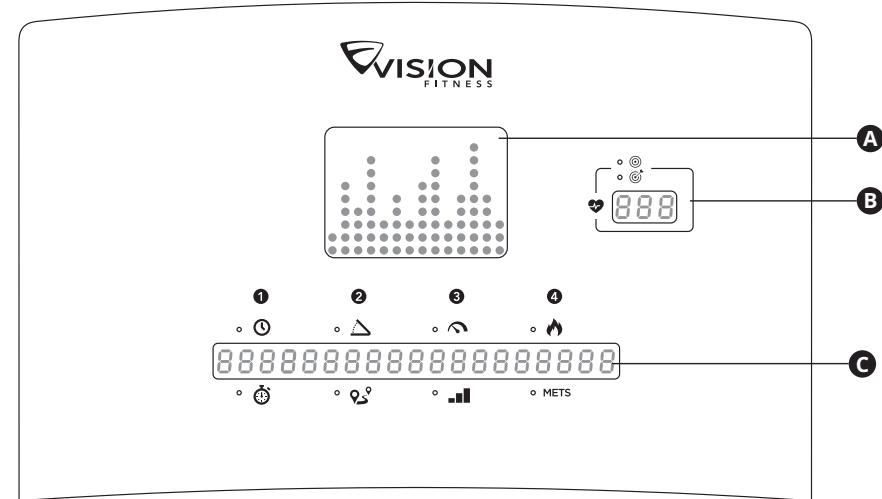
Druk hierop om uw training te stoppen. Houd dit 3 seconden ingedrukt om de console te resetten.

### 5 PROGRAMMATOETSEN

Druk hierop om een programma te selecteren. Voor Doel+ en Hartslag+ drukt u meerdere keren op de toets voor aanvullende programma's.

### 6 DISPLAY WISSELEN (1 - 4)

Druk hierop om tijdens de training de displayweergave aan te passen.



Bezoek de website van Vision voor meer montage- en console-informatie:  
[world.visionfitness.com](http://world.visionfitness.com)

**LET OP:** Standaard zal het tijdvenster vanaf de totale trainingstijd aftellen. Als er geen trainingstijd is ingesteld, telt het tijdvenster vanaf 0:00 op.



## PROGRAMMA-INFORMATIE

NEDERLANDS

PROGRAMMA		OMSCHRIJVING	STANDAARD-TIJD	GEBRUIKERS-INVVOER	PROGRAMMA-CONTROLE
	QUICK START	Quick Start is de snelste manier om te beginnen met trainen en omzeilt de installatievragen. Na drukken op  begint een training op constant niveau en de snelheid en helling veranderen niet automatisch.	n.v.t.	n.v.t.	n.v.t.
	HANDMATIG	Handmatig is een training met een constante inspanning waarbij de gebruiker op elk moment de helling of snelheid kan veranderen.	20:00	Tijd, gewicht	n.v.t.
	INTERVAL	Intervallen zijn periodes van intense aërobe inspanning, gescheiden door regelmatige periodes van inspanning met een lagere intensiteit. Op elk moment tijdens de training kan de gebruiker de instellingen van de huidige snelheid wijzigen.	20:00	Niveau, tijd, gewicht	Hoogteverschil
	TIJD	Bij deze training is de tijdsduur het trainingsdoel. Zodra aan de duurdoelstelling is voldaan, schakelt de training over naar een cooling-down.	20:00	Tijd, starthelling, startsnelheid, gewicht	n.v.t.
	AFSTAND	Deze training is ontworpen om het uithoudingsvermogen op een bepaalde afstand op te bouwen. Zodra aan de doelstelling is voldaan, schakelt de training automatisch over naar een cooling-down en eindigt erna.	n.v.t.	Afstand, starthelling, startsnelheid, gewicht	n.v.t.
	CALORIEËN	Deze training is bedoeld om een bepaald aantal calorieën in de geselecteerde tijdsduur te verbranden. Zodra aan de doelstelling is voldaan, schakelt de training automatisch over naar een cooling-down en eindigt erna.	n.v.t.	Calorieën, starthelling, gewicht	n.v.t.
	WILLEKEURIG	Willekeurig creëert een willekeurig terrein van heuvels en dalen dat bij elke training weer anders is.	20:00	Tijd, gewicht	Hoogteverschil
	DOEL-HARTSLAG	Doelhartslag is een training met een hogere intensiteit voor beter getrainde gebruikers, met de nadruk op cardiovasculaire voordelen. De gebruiker moet een hartslagborstband dragen of de handen continue in contact houden met hartslaggrepen. Het programma past het intensiteitsniveau aan op basis van de werkelijke hartslag om de hartslag op 80 procent van het theoretische maximum te houden.	20:00	Leeftijd, hartslag, hartslag-controle, max. snelheid of max. helling, tijd, gewicht	Snelheid of hoogteverschil
	GEWICHTS-VERLIES	Gewichtsverlies is een training met lage intensiteit voor het verbranden van de vetreserves van het lichaam. De gebruiker moet een hartslagborstband dragen of de handen continue in contact houden met hartslaggrepen. Het programma past het intensiteitsniveau aan op basis van de werkelijke hartslag om de hartslag op 65 procent van het theoretische maximum te houden. Gebruik de Body Mass Index (BMI) om de samenstelling van uw lichaam te meten.	20:00	Leeftijd, hartslag, hartslag-controle, max. snelheid of max. helling, tijd, gewicht, lengte	Snelheid of hoogteverschil
	FITNESSTEST	Vision loopband biedt fitnessstests op basis van het Gerkin brandweerprotocol. Het Gerkin-protocol is ontwikkeld door dr. Richard Gerkin van de brandweer in Phoenix (Arizona). Het is een sub-maximale loopband-evaluatie die door veel brandweerkorpsen in de Verenigde Staten wordt gebruikt om de fysieke conditie van de brandweermannen te beoordelen. De test vereist een constante controle van de hartslag van de gebruiker; het gebruik van een telemetrische borstband wordt ten zeerste aanbevolen.	n.v.t.	n.v.t.	n.v.t.



# PROGRAMMA-TABELLEN

## FITNESSTEST - GERKIN

Fase	Totale tijd	Snelheid MPH	Helling %	Voorspelde VO2-max (ml/kg/min)	Voorspelde VO2-max METS
0 (warming-up)	1:00	3,0	0	13,3	3,3
	2:00	3,0	0	13,3	3,3
	3:00	3,0	0	13,3	3,3
1	3:30	4,5	0	15,3	4,4
	4:00	4,5	0	17,4	5,0
2	4:30	4,5	2	19,4	5,5
	5:00	4,5	2	21,5	6,1
3	5:30	5,0	2	23,6	6,7
	6:00	5,0	2	27,6	7,9
4	6:30	5,0	4	28,7	8,2
	7:00	5,0	4	29,8	8,5
5	7:30	5,5	4	31,2	8,9
	8:00	5,5	4	32,7	9,3
6	8:30	5,5	6	33,9	9,7
	9:00	5,5	6	35,1	10,0
7	9:30	6,0	6	36,6	10,5
	10:00	6,0	6	38,2	10,9
8	10:30	6,0	8	39,5	11,3
	11:00	6,0	8	40,9	11,6
9	11:30	6,5	8	42,6	12,2
	12:00	6,5	8	44,3	12,7
10	12:30	6,5	10	45,7	13,1
	13:00	6,5	10	47,2	13,5
11	13:30	7,0	10	49,0	14,0
	14:00	7,0	10	50,8	14,5
12	14:30	7,0	12	52,3	14,9
	15:00	7,0	12	53,9	15,4
13	15:30	7,5	12	55,8	15,9
	16:00	7,5	12	57,8	16,5
14	16:30	7,5	14	59,5	17,0
	17:00	7,5	14	61,2	17,5
15	17:30	8,0	14	63,2	18,1
	18:00	8,0	14	65,3	18,7

## INTERVALLEN

SEGMENT NIVEAU (L)	1	2	3	4	5	6	7	8	9	10	11	12	13	14
	<b>HELLING</b>													
L1	1	1	2	1	2	1	3	1	2	1	2	1	1	1
L2	1	2	3	1	3	1	3	1	3	1	3	2	1	1
L3	1	2	3	1	3	1	4	1	3	1	3	2	1	1
L4	1	3	4	1	4	1	5	1	4	1	4	3	1	1
L5	2	3	5	2	5	2	5	2	5	2	5	3	2	2
L6	2	4	5	2	5	2	6	2	5	2	5	4	2	2
L7	2	4	6	2	6	2	7	2	6	2	6	4	2	2
L8	3	5	7	3	7	3	8	3	7	3	7	5	3	3
L9	3	5	8	3	8	3	9	3	8	3	8	5	3	3
L10	3	6	9	3	9	3	10	3	9	3	9	6	3	3

Willekeurige programma-informatie van intervaltabel.

VO2-max (ml/kg/min)		VROUWEN				MANNEN			
TESTRESULTAAT	PERCENTIEL	20-29	30-39	40-49	50-59	20-29	30-39	40-49	50-59
<b>SUPERIEUR</b>	99	>53,0	>48,7	>46,8	>42,0	>58,8	>58,9	>55,4	>52,5
	95	46,8	43,9	41,0	36,8	54,0	52,5	50,4	47,1
<b>EXCELLENT</b>	90	44,2	41,0	39,5	35,2	51,4	50,3	48,2	45,3
	80	41,0	38,6	36,3	32,3	48,2	46,8	44,1	41,0
<b>GOED</b>	70	38,1	36,7	33,8	30,9	46,8	44,6	41,8	38,5
	60	36,7	34,6	32,3	29,4	44,2	42,4	39,9	36,7
<b>VOLDOENDE</b>	50	35,2	33,8	30,9	28,2	42,5	41,0	38,1	35,2
	40	33,8	32,3	29,5	26,9	41,0	38,9	36,7	33,8
<b>MATIG</b>	30	32,3	30,5	28,3	25,5	39,5	37,4	35,1	32,3
	20	30,6	28,7	26,5	24,3	37,1	35,4	33,0	30,2
<b>SLECHT</b>	10	28,3	26,5	25,1	22,3	34,5	32,5	30,9	28,0
	5	25,9	25,1	23,5	21,1	31,6	30,9	28,3	25,1

### 1. Tijdens de test

**1.1** Als er op de STOP knop wordt gedrukt, stopt het instrument de test en verschijnt "TEST AFGEBROKEN".

**1.2** Wanneer HS (hartslag) langer dan 15 seconden > DHS (doelhartslag) is de test van 18 minuten is voltooid, gaat de machine naar de fase "COOLING-DOWN" om alle testactiviteiten te beëindigen en de testresultaten te tonen.

**1.3** Zodra de WARMING-UP is voltooid en er geen hartslag wordt gedetecteerd, toont het instrument "HARTSLAG VERLOREN GREEPSENSOREN". Als na meer dan 20 seconden de hartslag nog steeds niet wordt gedetecteerd: de machine breekt de test af en gaat naar de fase COOLING-DOWN en toont vervolgens "TEST AFGEBROKEN".

### 2. Testresultaten:

Totale tijd / calorieën / fasenummer / testniveau

### 3. DHS = (220 - LEEFTIJD) x 0,85





## AAN DE SLAG

- 1) Controleer of er geen objecten op de band geplaatst zijn die de bewegingen van de loopband belemmeren.
- 2) Steek de stekker in het stopcontact en zet de loopband AAN.
- 3) Ga op de zijrails van de loopband staan.
- 4) Bevestig de veiligheidssleutelclip aan een kledingstuk en controleer of deze goed vastzit en niet losgaat tijdens het gebruik.

### A) QUICK START

Druk gewoon op ► om met uw training te beginnen.  
De tijd zal optellen vanaf 0:00.  
De training begint met de laagste helling en snelheid.

### B) SELECTEER EEN PROGRAMMA

- 1) Selecteer een programma met de **PROGRAMMATOETSEN** en druk op ✓.
- 2) Volg de vragen in het **INSTRUCTIE-CENTRUM** om de informatie van het trainingsprogramma in te stellen met ▲▼ of het **NUMERIEKE TOETSENBORD**. Druk op ✓ na elke selectie.
- 3) Druk op ► om met uw training te beginnen.

LET OP: U kunt de snelheid en helling handmatig aanpassen tijdens uw training.

### C) UW TRAINING BEËINDIGEN

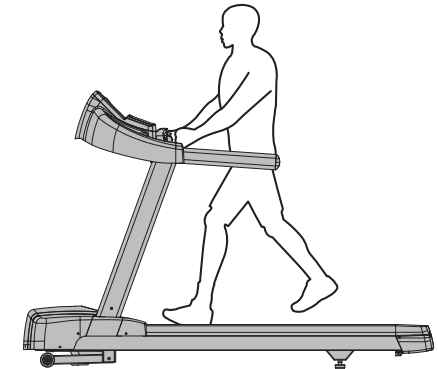
Zodra uw training is voltooid, wordt uw trainingsinformatie weergegeven op de console.

### HUIDIGE SELECTIE WISSEN

Om het huidige programma of scherm te wissen drukt u op **STOP** ■ gedurende 3 seconden.

## CORRECT GEBRUIK

Plaats uw voeten op de riem, buig uw armen een beetje en pak de hartslagsensoren vast (zoals afgebeeld). Tijdens het hardlopen moeten uw voeten in het midden van de band worden geplaatst, zodat uw handen op natuurlijke wijze kunnen zwaaien en zonder contact te maken met het stuur aan de voorkant.



Uw loopband kan hoge snelheden bereiken. Start altijd met een lagere snelheid en pas de snelheid in kleine stappen aan om een hoger snelheidsniveau te bereiken. Laat de loopband nooit onbeheerd achter terwijl deze draait. Schakel het apparaat uit met de aan/uit-schakelaar en haal de stekker uit het stopcontact wanneer u het niet gebruikt. Volg het ONDERHOUDSSCHEMA in deze handleiding om optimale prestaties te behouden en premature elektronische storingen te voorkomen. Houd uw lichaam en hoofd voorwaarts gericht. Probeer niet om te draaien of naar achteren te kijken terwijl de loopband loopt. Stop onmiddellijk met trainen als u pijn voelt of flauw, duizelig of kortademig bent.

## VOOR U BEGINT

### PLAATSING VAN DE LOOPBAND

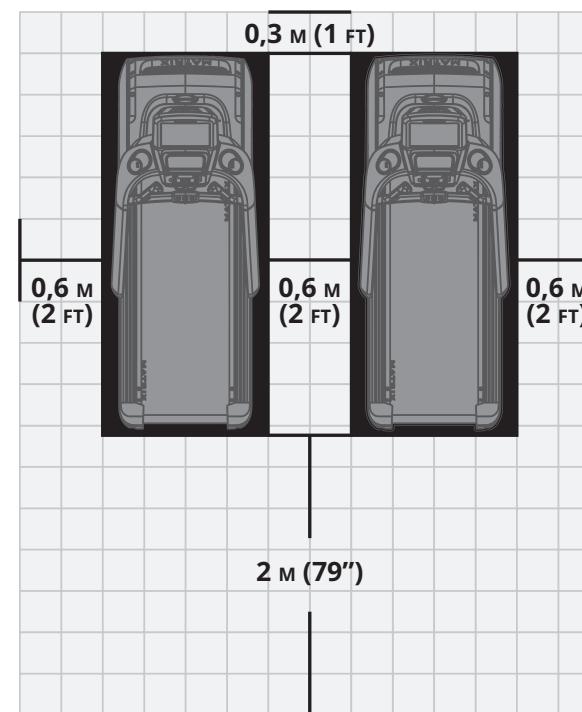
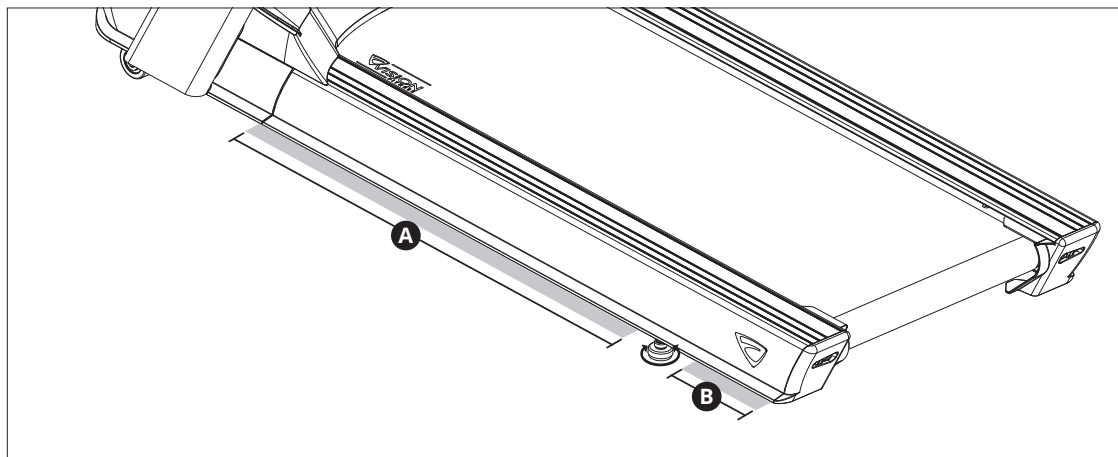
Plaats de apparatuur op een vlak, stabiel oppervlak, buiten bereik van direct zonlicht. Intense UV-straling kan verkleuring van het kunststof veroorzaken. Plaats de apparatuur in een koele ruimte met een lage luchtvochtigheidsgraad. Houd een vrije zone aan achter het apparaat van ten minste de breedte van de loopband, en ten minste 79" (2 meter) lang. Deze zone dient vrij van obstakels te zijn zodat de gebruiker vrije toegang heeft tot de machine. Voor gemakkelijke toegang dient er een vrij toegankelijke ruimte aan beide zijden van de loopband te zijn van ten minste 24" (0,6 meter) zodat gebruikers van beide zijden toegang tot de loopband hebben. Plaats de loopband niet zodanig dat ventilatie- of luchttoevoeropeningen geblokkeerd worden. De loopband mag niet in een garage, op een overdekt terras, dicht bij water of buiten worden opgesteld.

### DE LOOPBAND WATERPAS ZETTEN

Voor goed functioneren is het uiterst belangrijk dat de levelers correct worden ingesteld. Draai de stelvoet met de klok mee om deze te verlagen, en tegen de klok in om de loopband te verhogen. Pas iedere kant naar behoefte aan tot de loopband waterpas staat. Een toestel in onbalans kan scheeflopen van de riem of andere problemen veroorzaken. We raden u aan een waterpas te gebruiken.

### DE LOOPBAND VERPLAATSEN

Om schade aan onderdelen te voorkomen bij het verplaatsen van de loopband, alleen optillen bij **A** of **B** zoals afgebeeld.



### WAARSCHUWING!

Onze apparatuur is zwaar, wees voorzichtig en vraag indien nodig om hulp bij het verplaatsen. Het niet opvolgen van deze instructies kan tot letsel leiden. Gebruik het product nooit als het netsnoer of de stekker beschadigd is, als het apparaat niet goed werkt, als het beschadigd is, of ondergedompeld is in water. Neem contact op met de technische klantenservice voor onderzoek en reparatie.



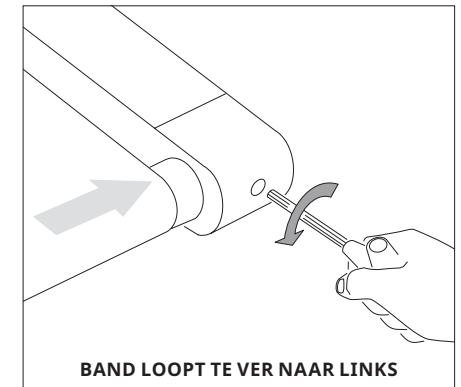
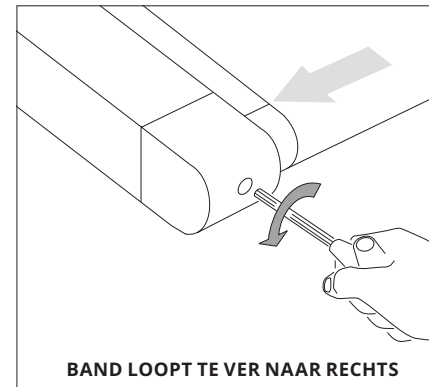
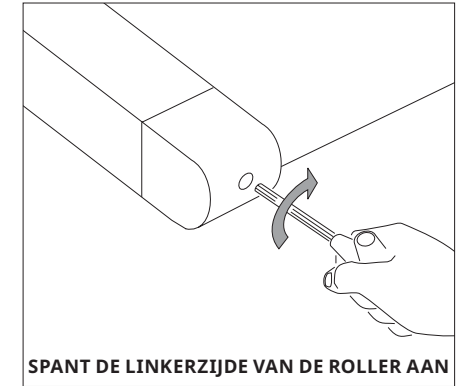
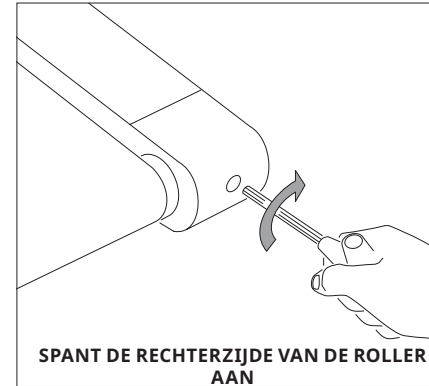


## DE LOOPBAND AANSPANNEN

Nadat de loopband neergezet is in de positie waarin deze gebruikt gaat worden moet gecontroleerd worden of de band correct aangespannen en gecentreerd is. De band moet mogelijk versteld worden na de eerste twee uur gebruik. Temperatuur, vocht en gebruik zorgt dat de band in verschillende mate oprekt. Zorg dat u de aanwijzingen hieronder opvolgt als de band begint te slippen tijdens gebruik.

- 1) Zoek de twee zeskantbouten aan de achterzijde van de loopband. De bouten bevinden zich aan de beide zijden van het frame aan de achterzijde van de loopband. Deze bouten verstellen de achterste roller van de band. Verstel deze niet tot de loopband aanstaat. Dit voorkomt dat u een kant overmatig aanspant.
- 2) De band moet aan beide zijden even ver van het frame af lopen. Zet de loopband niet aan als de band een van de zijden raakt. Draai de bouten aan beide zijden ongeveer één slag met de klok mee. Centreer de band handmatig door de band heen en weer te duwen tot deze parallel loopt aan de zijrails. Draai de bouten even strak aan als ze eerder losgedraaid zijn, ongeveer één slag. Controleer de band op schade.
- 3) Start de loopband door op de knop START te drukken. Verhoog de snelheid tot 3 mph (~4,8 km/uur) en bekijk de positie van de band. Als de band naar rechts loopt, draai dan de rechterbout aan door deze ¼ slag met de klok mee te draaien, en maak de linkerbout ¼ slag losser. Als de band naar links loopt, draai dan de linkerbout aan door deze ¼ slag met de klok mee te draaien, en maak de rechterbout ¼ slag losser. Herhaal stap 3 tot de band gedurende enkele minuten gecentreerd blijft.
- 4) Controleer de spanning van de band. De band dient zeer strak te zitten. Als iemand op de band loopt of rent dient deze niet te schokken of te slippen. Span de band aan door beide bouten ¼ slag met de klok mee te draaien als dit zich voordoet. Herhaal dit indien nodig.

**LET OP:** Gebruik de oranje strook in de laterale positie van de zijrails als criterium om te bevestigen dat de band correct gecentreerd is. De band moet versteld worden tot de rand van de band parallel loopt met de oranje of witte strook.



## WAARSCHUWING!

Laat de band niet sneller lopen dan 3 mph (~4,8 km/uur) terwijl u centreert. Houd vingers, haar en kleding altijd uit de buurt van de band.

Bij loopbanden uitgerust met handrails aan de zijkant en een stuur aan de voorkant voor ondersteuning van de gebruiker en voor afstappen bij noodgevallen: druk op de noodknop om de machine te stoppen om af te stappen bij noodgevallen.

## VOORDAT U DE LOOPBAND GEBRUIKT

Voer de eerste instellingen uit en kalibreer de loopband met behulp van de automatische kalibratiefunctie die u kunt vinden in 'Manager-modus' of 'Technische modus'.

### LET OP:

- Ga NIET op de band staan terwijl de automatische kalibratie wordt uitgevoerd.
- PAS de helling niet aan voordat de eerste instellingen en de automatische kalibratie zijn voltooid.
- START de loopband niet en druk niet op snelheidsknoppen voordat dit wordt gevraagd tijdens het aanpassen van de loopband.

## PAS OP!

### GEVAAR VOOR PERSOONLIJK LETSEL

Terwijl u zich voorbereidt om de loopband te gebruiken, mag u niet op de band gaan staan. Ga op de zijrails staan voordat u de loopband start. Stap pas op de band nadat de band begint te bewegen. Start de loopband nooit met een hoge snelheid en probeer er nooit op te springen! In geval van nood plaatst u beide handen op de zijarmsteunen om uzelf omhoog te houden en plaats u uw voeten op de zijrails.

### GEBRUIK VAN DE VEILIGHEIDSSLEUTEL

Uw loopband start alleen wanneer noodstopknop is gereset. Bevestig het uiteinde van de klem stevig aan uw kleding. Deze veiligheidssleutel is ontworpen om de voeding van de loopband uit te schakelen als u zou vallen. Controleer de werking van de veiligheidssleutel om de 2 weken.

### WAARSCHUWING!

Gebruik de loopband nooit voor u de klem van de veiligheidssleutel aan uw kleding bevestigd heeft. Trek eerst aan de klem van de veiligheidssleutel om te zorgen dat deze niet van uw kleding af komt.

Laat de band alleen in een omgeving met toezicht in omgekeerde richting lopen. De maximale standaard bandsnelheid is 2 mph en mag alleen worden gewijzigd door een bevoegde technicus.

Uw loopband kan hoge snelheden bereiken. Start altijd met een lagere snelheid en pas de snelheid in kleine stappen aan om een hoger snelheidsniveau te bereiken. Laat de loopband nooit onbeheerd achter terwijl deze draait. Schakel het apparaat uit met de aan/uit-schakelaar en haal de stekker uit het stopcontact wanneer u het niet gebruikt. Volg het ONDERHOUDSSHEMA in deze handleiding om optimale prestaties te behouden en premature elektronische storingen te voorkomen. Houd uw lichaam en hoofd voorwaarts gericht. Probeer niet om te draaien of naar achteren te kijken terwijl de loopband loopt. Stop onmiddellijk met trainen als u pijn voelt of flauw, duizelig of kortademig bent.

## DE HARTSLAG-FUNCTIE GEBRUIKEN

De hartslagfunctie op dit product is geen medisch hulpmiddel. Hoewel de hartslaggrepen een relatieve schatting van uw werkelijke hartslag kunnen geven, kunt u er niet op vertrouwen als nauwkeurige metingen nodig zijn. Sommige mensen, waaronder mensen in een hartrevalidatieprogramma, kunnen baat hebben bij het gebruik van een alternatief hartslagmonitoringsysteem, zoals een borst- of polsbandje. Verschillende factoren, waaronder de beweging van de gebruiker, kunnen de nauwkeurigheid van uw hartslagmeting beïnvloeden. De hartslagmeting is alleen bedoeld als hulp bij de training om algemene fluctuaties in hartslag te kunnen bepalen. Raadpleeg alstublieft uw arts.

### POLSSLAG-GREPEN

Plaats de palm van uw handen direct op de polsslag-greep. Beide handen moeten de sensoren vasthouden om uw hartslag te registreren. Het duurt 5 opeenvolgende hartslagen (15-20 seconden) voordat uw hartslag geregistreerd wordt. Houd de grepen niet te stevig vast. Als u de handgrepen te stevig vasthoudt, kan uw bloeddruk stijgen. Houd een losse, ontspannen greep. U kunt een onregelmatige uitlezing krijgen als u de grepen te strak vasthoudt. Houd de sensoren schoon om een goed contact te garanderen. De polsslag-grepen zijn alleen ontworpen om de polsslag te registreren.

### WAARSCHUWING!

Hartslagmonitors kunnen onnauwkeurig zijn. Overmatig trainen kan leiden tot ernstig letsel of de dood. Stop uw training direct als u zich duizelig begint te voelen.

## PRODUCTSPECIFICATIES

Max. gewicht gebruiker	182 kg / 400 lbs.
Productgewicht	178 kg / 392 lbs.
Transportgewicht	210 kg / 462 lbs.
Totale afmetingen (L X B X H)*	215 x 91 x 154 cm / 85" x 36" x 61"

\* Zorg voor een minimale ruimte van 0,6 meter (24") voor toegang tot en doorgang rond VISION-apparatuur. Houd er alstublieft rekening mee dat 0,91 m (36") door de ADA wordt aangeraden als vrije ruimte voor personen in rolstoelen.





## ONDERHOUD

Het verwijderen of vervangen van welk onderdeel dan ook mag uitsluitend worden uitgevoerd door een bevoegde servicemonteur.

- 1) Gebruik **NOOIT** apparatuur die beschadigd is en/of versleten of kapotte onderdelen heeft. Gebruik uitsluitend vervangende onderdelen die worden geleverd door de lokale VISION-dealer in uw land.
- 2) **LAAT LABELS EN NAAMPLAATJES ZITTEN:** Verwijder nooit labels, om welke reden dan ook. Deze bevatten belangrijke informatie. Neem contact op met uw VISION-dealer voor vervanging indien deze onleesbaar zijn of ontbreken.
- 3) **ONDERHOUD ALLE APPARATUUR:** Preventief onderhoud is de sleutel tot soepel werkende apparatuur, evenals het minimaliseren van uw aansprakelijkheid. Apparatuur dient regelmatig te worden geïnspecteerd.
- 4) Zorg dat aanpassingen, onderhoud of reparaties van welke aard dan ook uitsluitend worden uitgevoerd door personen die hiertoe bevoegd zijn. VISION-dealers verzorgen op aanvraag service- en onderhoudstrainingen op onze bedrijfslocaties.

### WAARSCHUWING!

Om te zorgen dat de loopband geen voeding meer krijgt, moet u de stekker uit het stopcontact trekken.

### TIPS VOOR DE REINIGING

Preventief onderhoud en dagelijkse reiniging verlengen de levensduur en het uiterlijk van uw apparatuur.

- 1) Gebruik een zachte, schone katoenen doek. Gebruik **GEEN** papieren handdoeken om oppervlakken op de loopband schoon te maken. Papieren handdoeken zijn schurend en kunnen oppervlakken beschadigen.
- 2) Gebruik milde zeep en een vochtige doek. Gebruik **GEEN** schoonmaakmiddel op basis van ammoniak of alcohol. Dit veroorzaakt verkleuring van het aluminium en de kunststoffen waarmee het in contact komt.
- 3) Giet geen water of schoonmaakmiddelen op de oppervlakken. Dit kan elektrocutie veroorzaken.
- 4) Veeg na elk gebruik de console, de hartslaggreep, de handgrepen en de zijrails schoon.
- 5) Borstel eventuele wasafzettingen weg van het loopvlak en de band. Dit is komt vaker voor totdat de was volledig door het bandmateriaal is opgenomen.
- 6) Verwijder eventuele obstructies van het pad van de elevatiewielen inclusief netsnoeren. Gebruik gedistilleerd water in een verstuivingsproeifles voor het reinigen van touchscreen-displays. Spray gedistilleerd water op een zachte, schone en droge doek en veeg het display schoon en droog. Bij erg vuile displays wordt het toevoegen van azijn aanbevolen.

### PAS OP!

Zorg dat u de hulp hebt bij het installeren en verplaatsen van het apparaat om letsel of schade aan de loopband te voorkomen.

## ONDERHOUDSSCHEMA

ACTIE	FREQUENTIE
Haal de stekker uit het stopcontact. Maak het gehele toestel schoon met water en een milde zeep, of een andere goedgekeurde oplossing (schoonmaakmiddelen dienen geen alcohol of ammoniak te bevatten).	DAGELIJKS
Controleer het netsnoer. Als het netsnoer is beschadigd, neem dan contact op met de technische klantenservice.	DAGELIJKS
Zorg dat het netsnoer niet onder het apparaat doorloopt, of ergens waar deze beklemd of doorgesneden kan raken tijdens opslag of gebruik.	DAGELIJKS
Trek de stekker van de loopband uit het stopcontact en de verwijder de motorkap. Controleer op vuil en maak schoon met een droge doek of een klein stofzuigermondstuk. <b>WAARSCHUWING:</b> Steek de stekker van de loopband pas weer in het stopcontact nadat de motorkap is geplaatst.	MAANDELIJKS
Voor touchscreen-consoles, ga naar de service modus en selecteer 'test'. Selecteer 'Aanraak-kalibratie' en vervolgens 'Start'. Volg de aanwijzingen op het scherm en raak het scherm aan waar aangegeven.	DRIEMAANDELIJKS
Reinig de IR-sensoren (op de consolemasten) met een wattenstaafje en ontsmettingsalcohol.	DRIEMAANDELIJKS

## LOOPVLAK EN BAND VERVANGEN

Een van de meest voorkomende slijtageartikelen op een loopband is de combinatie van loopvlak en band. Als deze twee items niet goed worden onderhouden, kunnen ze schade aan andere componenten veroorzaken. Dit product beschikt over het meest geavanceerde onderhoudsvrije smeersysteem op de markt.

### WAARSCHUWING!

Laat de loopband niet lopen wanneer u de riem en het loopvlak schoonmaakt. Dit kan ernstig letsel veroorzaken en kan de machine beschadigen. Onderhoud de band en het loopvlak door de zijkanalen van de band en het loopvlak met een schone doek schoon te vegen. De gebruiker kan ook aan beide zijden 2 inch (~ 51 mm) onder de band schoonvegen om stof of vuil te verwijderen. Het loopvlak kan worden omgedraaid en opnieuw worden geïnstalleerd of worden vervangen door een erkende servicemonteur. Neem contact op met Vision Fitness Systems voor meer informatie.



# FRANÇAIS



# PRÉCAUTIONS IMPORTANTES

## CONSERVEZ CES INSTRUCTIONS

- Lors de l'utilisation d'un tapis de course, certaines précautions de base doivent toujours être prises, dont les suivantes : Lisez toutes les instructions avant d'utiliser cet équipement. Il incombe au propriétaire de s'assurer que tous les utilisateurs de cet équipement sont correctement informés de tous les avertissements et de toutes les précautions.
- Cet équipement est destiné à un usage commercial. Pour assurer votre sécurité et protéger l'équipement, lisez toutes les instructions avant d'utiliser l'appareil.

## DANGER !

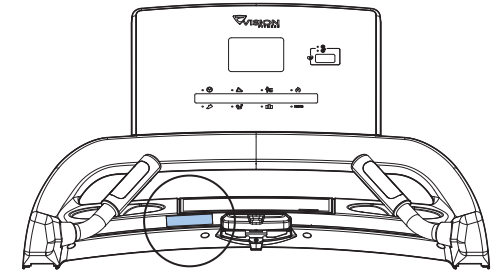
### POUR RÉDUIRE LE RISQUE DE CHOC ÉLECTRIQUE :

- Débranchez toujours l'équipement de la prise de courant immédiatement après l'avoir utilisé et avant de le nettoyer, d'effectuer des opérations de maintenance et de mettre ou d'enlever des pièces.

## AVERTISSEMENT !

### POUR RÉDUIRE LE RISQUE DE BRÛLURE, D'INCENDIE, DE CHOC ÉLECTRIQUE OU DE BLESSURE :

- Un exercice incorrect ou excessif peut causer des blessures. Si vous ressentez une douleur quelconque, notamment des douleurs à la poitrine, des nausées, des étourdissements ou un essoufflement, arrêtez immédiatement de faire l'exercice et consultez votre médecin avant de continuer.
- Lors de l'exécution de tout exercice, maintenez toujours un rythme confortable.
- Ne portez pas de vêtements susceptibles de se coincer sur une partie quelconque du tapis de course
- L'utilisateur doit porter des chaussures appropriées (c'est-à-dire des chaussures de sport) lors de l'utilisation de cet appareil d'exercice.
- Ne sautez pas sur le tapis de course.
- À aucun moment, plus d'une personne ne doit être sur le tapis de course pendant son fonctionnement.
- Ce tapis de course ne doit pas être utilisé par des personnes pesant plus que le poids spécifié dans la SECTION SPÉCIFICATIONS DU MANUEL DU PROPRIÉTAIRE. Si vous ne vous conformez pas à ces instructions, la garantie sera annulée.
- Débranchez toutes les sources d'alimentation avant de réparer ou de déplacer l'équipement.
- Pour nettoyer, frottez les surfaces avec du savon et un chiffon légèrement humide ; n'utilisez jamais de solvants. (Voir MAINTENANCE)
- Débranchez-le de la prise lorsqu'il n'est pas utilisé et avant d'ajouter ou de retirer des pièces.
- Connectez ce produit d'exercice uniquement à une prise correctement mise à la terre.
- Ne retirez pas les couvercles protégés, à moins qu'un professionnel et votre revendeur local vous y autorisent. L'entretien ne doit être effectué que par un technicien de service autorisé.
- L'installation de pièces ou d'accessoires non conçus ou compatibles avec l'équipement tel qu'il est vendu annulera la garantie et pourrait avoir une incidence sur la sécurité.
- Mesuré à une hauteur de tête typique, le niveau de pression acoustique pondéré A lorsque le tapis de course tourne à 12 km / heure (sans charge) n'excède pas 70 dB.
- L'émission de bruit sous charge est plus élevée que sans charge.
- À aucun moment, les animaux de compagnie et les enfants de moins de 14 ans ne doivent s'approcher du tapis de course à moins de 3 mètres.
- Les enfants de moins de 14 ans ne doivent à aucun moment utiliser le tapis de course.
- Les enfants de plus de 14 ans ne doivent pas utiliser le tapis de course sans la supervision d'un adulte.
- Cet équipement n'est pas destiné à être utilisé par des personnes ayant des capacités physiques, sensorielles ou mentales réduites, ou un manque d'expérience et de connaissances, à moins d'avoir été supervisées ou formées à l'utilisation de l'équipement par une personne responsable de leur sécurité.
- Utilisez le tapis de course uniquement pour l'usage prévu, tel que décrit dans le manuel du propriétaire.
- N'utilisez jamais le tapis de course si son cordon ou sa fiche est endommagé(e), si elle ne fonctionne pas correctement ou si elle a été endommagée, jetée par terre ou immergée dans l'eau. Appelez l'assistance technique client pour un examen ou une réparation.
- Pour éviter tout risque de choc électrique, cet équipement ne doit être branché qu'à un circuit avec une masse sans boucle (isolée).
- Tenez le cordon d'alimentation à l'écart des surfaces chauffées. Ne transportez pas cet appareil en le tenant par son cordon d'alimentation et n'utilisez pas le cordon comme poignée.
- N'utilisez jamais le tapis de course avec l'ouverture d'air bloquée. Gardez l'ouverture d'air propre et exempte de peluches, de cheveux et autres crasses.
- Pour éviter les chocs électriques, ne laissez jamais tomber ni n'insérez aucun objet dans une ouverture.
- Ne l'utilisez pas lorsque des aérosols (sprays) sont utilisés ou lorsque de l'oxygène est administré.
- Pour la déconnecter, mettez toutes les commandes en position d'arrêt, puis retirez la fiche de la prise.
- N'utilisez pas le tapis de course dans un endroit où la température n'est pas contrôlée, comme par exemple, les garages, les vérandas, les salles de billard, les salles de bain, les abris de voiture ou à l'extérieur. Si vous ne vous conformez pas à ces instructions, la garantie risque d'être annulée.
- L'enlèvement des panneaux d'accès de protection doit être effectué UNIQUEMENT par un technicien de maintenance qualifié. Assurez-vous que toutes les fixations sont correctement réinstallées après le remplacement des panneaux d'accès.
- Pour éviter les blessures, tenez-vous sur les rails latéraux avant de démarrer le tapis de course.
- Les systèmes de surveillance de la fréquence cardiaque peuvent être inexacts.
- S'exercer de manière excessive peut entraîner des blessures graves ou la mort.
- Si vous vous sentez mal, arrêtez immédiatement de vous entraîner.
- Pour éviter une mauvaise connexion du cordon d'alimentation à la prise d'alimentation de la machine, installez le fixateur de cordon d'alimentation après avoir branché le cordon d'alimentation à la machine.



PLACEZ L'ÉTIQUETTE D'AVERTISSEMENT ICI

## ATTENTION !

### CONSULTEZ UN MÉDECIN AVANT D'UTILISER CET ÉQUIPEMENT. LISEZ LE MANUEL DU PROPRIÉTAIRE AVANT UTILISATION.

- Il est essentiel que cet équipement ne soit utilisé qu'à l'intérieur, dans une pièce climatisée. Si cet équipement a été exposé à des températures plus froides ou à des climats très humides, il est fortement recommandé de réchauffer l'équipement jusqu'à la température ambiante avant la première utilisation. Dans le cas contraire, cela peut entraîner une défaillance électronique prématurée. La vitesse de départ initiale (par défaut) est de 0,8 km / h. Une vitesse de départ par défaut trop élevée peut être dangereuse.



# PUISSANCE REQUISE

## CIRCUIT DÉDIÉ ET INFORMATIQUES ÉLECTRIQUES

Un « circuit dédié » signifie que rien d'autre ne doit être branché dans une prise qui fait déjà fonctionner quelque chose sur ce même circuit. Le moyen le plus simple de le vérifier est de localiser le boîtier de disjoncteur principal et de couper le(s) disjoncteur(s) un à la fois. Une fois qu'un disjoncteur a été coupé, les seules choses qui ne doivent pas être sous tension, ce sont les unités en question. Aucune lampe, distributeur automatique, ventilateur, système audio ou autre élément ne devrait perdre de la puissance lorsque vous effectuez ce test. Neutre / masse sans boucle (isolé) signifie que chaque circuit doit avoir une connexion neutre / masse individuelle provenant de celui-ci et se terminant sur une prise de terre approuvée. Vous ne pouvez pas « shunter » un(e) seul(e) neutre / masse d'un circuit à l'autre.

## EXIGENCES ÉLECTRIQUES

Pour votre sécurité et afin de garantir les bonnes performances du tapis de course, la masse de ce circuit doit être sans boucle (isolée). Veuillez vous reporter aux articles 210-21 et 210-23 du NEC.

Votre tapis de course est fourni avec un cordon d'alimentation ainsi qu'une fiche listés ci-dessous et nécessite la prise indiquée. Toute modification de ce cordon d'alimentation pourrait annuler toutes les garanties de ce produit.

## UNITÉS DE 220 V

Tous les tapis de course Vision 220 V nécessitent l'utilisation d'un « circuit dédié » 216-250 V, 50 Hz et 20 A, avec un(e) neutre / masse sans boucle (isolé) pour la puissance. Cette prise doit être une NEMA 6-20R et avoir la même configuration que la fiche. Aucun adaptateur ne doit être utilisé avec ce produit.

## INSTRUCTIONS DE MISE À LA TERRE

L'appareil doit être mis à la terre. En cas de dysfonctionnement ou de panne, la mise à la terre fournit un chemin de moindre résistance au courant électrique afin de réduire le risque de choc électrique. L'unité est équipée d'un cordon muni d'un conducteur de mise à la terre de l'équipement et d'une prise de terre. La fiche doit être branchée dans une prise appropriée qui est correctement installée et mise à la terre conformément à tous les codes et règlements locaux. Si l'utilisateur ne suit pas ces instructions de mise à la terre, il risque d'annuler la garantie limitée Vision.

## INFORMATIONS ÉLECTRIQUES SUPPLÉMENTAIRES

Outre l'exigence d'un circuit dédié, un câble de calibre approprié doit être utilisé à partir du boîtier du disjoncteur vers chaque prise alimentant le nombre maximum d'unités. Si la distance entre le boîtier du disjoncteur et chaque prise est inférieure ou égale à 30,5 m (100 pi), utilisez un câble de calibre 12. Pour les distances supérieures à 100 pi (30,5 m) entre le disjoncteur et la prise, un câble de calibre 10 doit être utilisé.

## MODE ÉCONOMIE D'ÉNERGIE / BASSE CONSOMMATION

Toutes les unités sont configurées avec la possibilité d'entrer dans un mode économie d'énergie / basse consommation lorsque l'unité n'a pas été utilisée pendant une période de temps spécifiée. Un délai supplémentaire peut être nécessaire pour réactiver complètement cette unité une fois qu'elle est entrée en mode basse consommation. Cette fonction d'économie d'énergie peut être activée ou désactivée dans le « mode gestionnaire » ou le « mode ingénierie ».

## AVERTISSEMENT !

Connectez ce produit d'exercice uniquement à une prise correctement mise à la terre.

- N'utilisez jamais le produit avec un cordon ou une prise endommagé(e), même s'il fonctionne correctement. N'utilisez jamais le produit s'il semble endommagé ou s'il a été immergé dans l'eau. Contactez l'assistance technique client pour un remplacement ou une réparation.

Le non-respect de ces spécifications peut endommager votre produit et annuler la garantie :

- Toutes les prises vidéo et les prises de courant doivent être fonctionnelles le jour de la livraison / du montage du produit. Le client est responsable des frais d'installation supplémentaires associés aux visites de retour.
- L'alimentation électrique peut fluctuer dans votre zone. Pour assurer une performance stable du produit, utilisez un câble de calibre approprié.

## DANGER !

Une mauvaise connexion du conducteur de mise à la terre de l'équipement peut entraîner un risque de choc électrique. Consultez un électricien qualifié ou un réparateur si vous avez des doutes quant à la mise à la terre du produit. Ne modifiez pas la fiche fournie avec le produit. Si elle ne correspond pas à la prise, faites installer une prise adéquate par un électricien qualifié.





## MONTAGE

### DÉBALLAGE

Déballer l'équipement à l'endroit où vous allez l'utiliser. Placez le carton sur une surface plane et de niveau. Il est recommandé de placer un revêtement de protection sur votre sol. N'ouvrez jamais la boîte lorsqu'elle est sur le côté.

### REMARQUES IMPORTANTES

Lors de chaque étape d'assemblage, assurez-vous que TOUS les écrous et boulons sont en place et partiellement filetés. Plusieurs pièces ont été pré-lubrifiées pour faciliter l'assemblage et l'utilisation. Veuillez ne pas enlever la lubrification. Si vous avez des difficultés, une légère application de graisse au lithium est recommandée.

### AVERTISSEMENT !

Il y a plusieurs points au cours du processus d'assemblage qui doivent faire l'objet d'une attention particulière. Il est très important de suivre correctement les instructions d'assemblage et de s'assurer que toutes les pièces sont fermement serrées. Si les instructions d'assemblage ne sont pas suivies correctement, il se pourrait que certaines pièces de l'équipement ne soient pas serrées correctement, semblent lâches et provoquent des bruits agaçants. Pour éviter d'endommager l'équipement, les instructions d'assemblage doivent être vérifiées et des mesures correctives doivent être prises.

### BESOIN D'AIDE ?

Si vous avez des questions ou si des pièces sont manquantes, contactez l'assistance technique à la clientèle. Consultez [world.visionfitness.com](http://world.visionfitness.com) pour obtenir des informations de contact.

### OUTILS NÉCESSAIRES :

- Clé en T de 8mm
- Clé Allen de 8mm
- Clé Allen de 6mm
- Tournevis cruciforme

### PIÈCES INCLUSES :

- 1 châssis principal
- 1 set de base de console
- 1 ensemble de console
- 2 mâts de console
- 2 guidons
- 1 cordon d'alimentation
- 1 kit de matériel

# 1

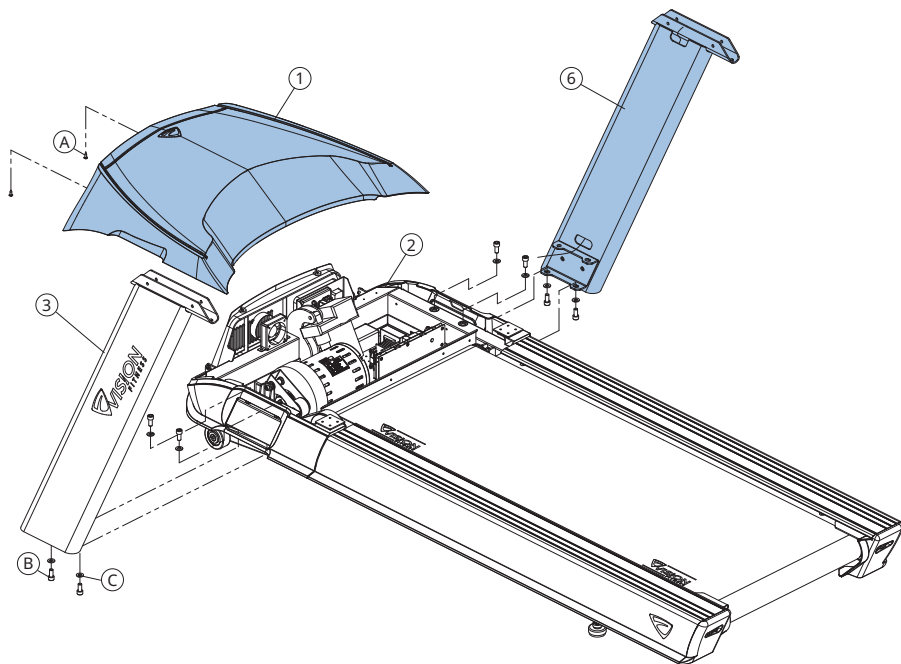
**IMPORTANT : Ne serrez pas les boulons avant la fin de l'étape 3.**

- Retirez les 2 vis préinstallées (A) et retirez le **COUVERCLE DU MOTEUR (1)**.
- Ouverture du **MATÉRIEL POUR L'ÉTAPE 1**.
- Fixez le **MÂT DE CONSOLE GAUCHE (3)** au **CHÂSSIS PRINCIPAL (2)** en utilisant **4 BOULONS (B)** et **4 RONDELLES PLATES (C)** par le haut et par le bas.
- Fixez le **MÂT DE CONSOLE DROIT (6)** au **CHÂSSIS PRINCIPAL (2)** en utilisant **4 BOULONS (B)** et **4 RONDELLES PLATES (C)** par le haut et par le bas.

REMARQUE : Veillez à ne pas pincer les fils lors de la fixation du guidon.

**Matériel pour l'étape 1**

Description	Qt2
A Vis pré-installée	2
B Boulon	8
C Rondelle plate	8

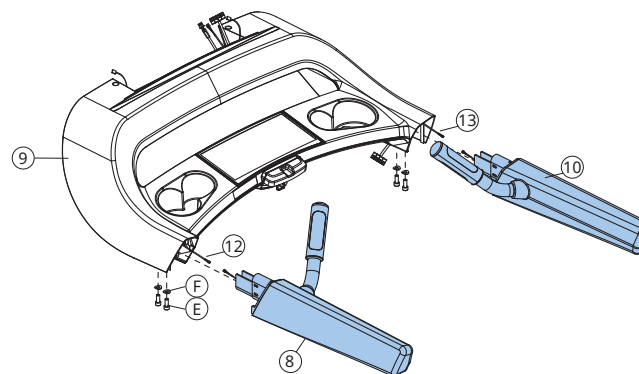


# 2

- Ouverture du **MATÉRIEL POUR L'ÉTAPE 2**.
- Branchez le **FIL DE LA POIGNÉE DE FRÉQUENCE CARDIAQUE (12)**, jetez l'attache-fil, insérez les câbles à l'intérieur de la **BARRE DE POIGNÉE GAUCHE (8)** et glissez-les dans la **BASE DE CONSOLE (9)**.
- Branchez le **FIL DE LA POIGNÉE DE FRÉQUENCE CARDIAQUE (13)**, jetez l'attache-fil, insérez les câbles à l'intérieur de la **BARRE DE POIGNÉE DROITE (10)** et glissez-les dans la **BASE DE CONSOLE (9)**.
- Fixez les **GUIDONS (8 et 10)** à la **BASE DE CONSOLE (9)** à l'aide de **4 BOULONS (E)** et de **4 RONDELLES COURBÉES (F)**.

**Matériel pour l'étape 2**

Description	Qt2
E Boulon	4
F Rondelle en arc	4



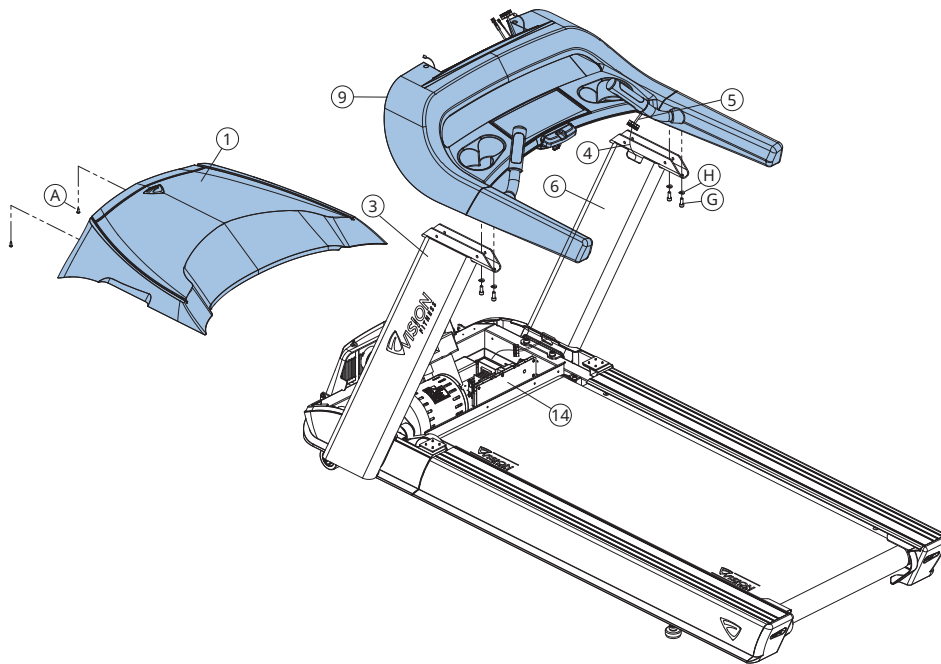
FRANÇAIS

**3**

- Ouverture du **MATÉRIEL POUR L'ÉTAPE 3**.
- Fixez le **FIL CONDUCTEUR (4)** au **CÂBLE DE CONSOLE (5)** et tirez le fil à travers le **MÂT DE CONSOLE DROIT(6)**. Après avoir tiré le fil conducteur à travers le mât, le haut du câble de la console doit être connecté au **MCB (14)**. Détachez et jetez le fil conducteur.
- Fixez la **BASE DE CONSOLE (9)** aux **MÂTS DE LA CONSOLE (3 et 6)** à l'aide de **4 BOULONS (G)** et de **4 RONDELLES COURBÉES (H)**.
- Serrez tous les boulons des étapes 1-3.
- Installez le **COUVERCLE DE MOTEUR (1)** en utilisant 2 vis préinstallées (A).

**Matériel pour l'étape 3**

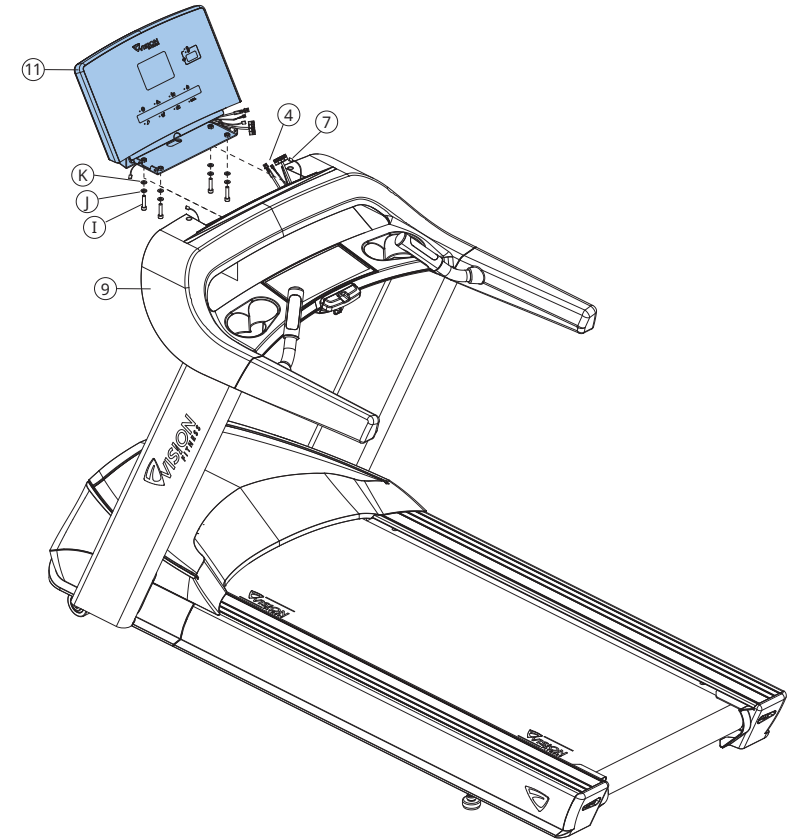
Description	Qt2
G Boulon	4
H Rondelle en arc	4

**4**

- Ouverture du **MATÉRIEL POUR L'ÉTAPE 4**.
- Branchez les **CÂBLES DE LA CONSOLE (4)** et les **FILS DE FRÉQUENCE CARDIAQUE (7)** à la **CONSOLE (11)** et glissez soigneusement le surplus de câble dans la **BASE DE LA CONSOLE (9)**.
- Fixez la **CONSOLE (11)** à la **BASE DE CONSOLE (9)** en utilisant **4 BOULONS (I)** et **4 RONDELLES ÉLASTIQUES (J)** et **4 RONDELLES PLATES (K)**.

**Matériel pour l'étape 4**

Description	Qt2
I Boulon	4
J Rondelle élastique	4
K Rondelle plate	4



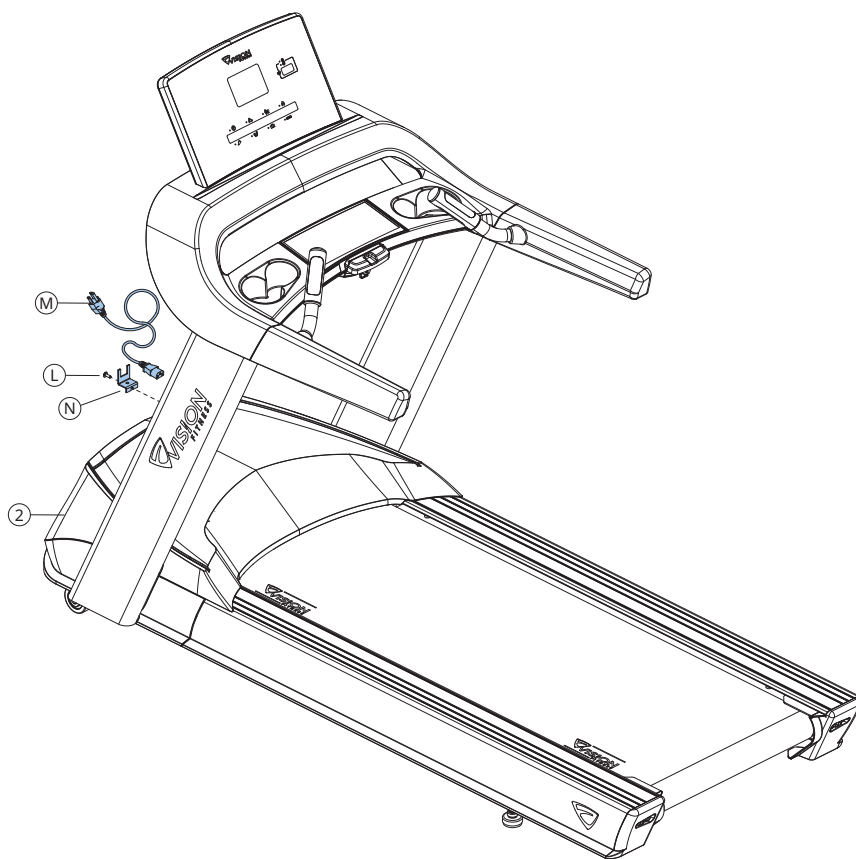
# 5

- Installez le **CORDON D'ALIMENTATION (M)** au **CHÂSSIS PRINCIPAL (2)**.
- Installez la **PLAQUE DE RETENUE DU CORDON D'ALIMENTATION (N)** au **CHÂSSIS PRINCIPAL (2)** en utilisant **1 VIS (L)**.

### Matériel pour l'étape 5








Description	Qt2
L Vis	1
M Cordon d'alimentation	1
N Plaque de retenue du cordon d'alimentation	1

**L'ASSEMBLAGE EST TERMINÉ !**





## INFORMATIONS SUR LE PROGRAMME

DESCRIPTION DU		PROGRAMME	TEMPS PAR DÉFAUT	INVITE SAISIE	COMMANDE DU PROGRAMME
	QUICK START	Quick Start (démarrage rapide) est le moyen le plus rapide de commencer à s'exercer et contourne les invites de configuration. Après avoir appuyé sur ►, un entraînement de niveau constant commence et la vitesse et l'inclinaison ne changent pas automatiquement.	N/A	N/A	N/A
	MANUAL	Manual (manuel) est un entraînement à effort constant dans lequel l'utilisateur peut modifier l'inclinaison ou la vitesse à tout moment.	20:00	Temps, poids	N/A
	INTERVAL	Interval (intervalle) représente les périodes d'exercices aérobiques intenses séparées par des périodes régulières d'exercices de plus faible intensité. À tout moment de l'entraînement, l'utilisateur peut modifier les réglages de la vitesse actuelle.	20:00	Niveau, temps, poids	Élévation
	GOAL+ TIME	Cet entraînement définit la durée comme objectif d'entraînement. Une fois l'objectif de durée atteint, l'entraînement passe à une phase de récupération.	20:00	Temps, Inclinaison de départ, Vitesse de départ, Poids	N/A
	DISTANCE	Cet entraînement est conçu pour développer l'endurance à une certaine distance. Une fois l'objectif atteint, l'entraînement passe automatiquement à une phase de récupération et ensuite se termine.	N/A	Distance, Inclinaison de départ, Vitesse de départ, Poids	N/A
	CALORIES	Cet entraînement est conçu pour brûler un certain nombre de calories dans le temps sélectionné. Une fois l'objectif atteint, l'entraînement passe automatiquement à une phase de récupération et ensuite se termine.	N/A	Calories, Inclinaison de départ, Poids	N/A
	RANDOM	Random crée un motif de terrain aléatoire composé de collines et de vallées, qui varie à chaque entraînement.	20:00	Temps, poids	Élévation
	HEART RATE+ TARGET HR	Target HR (FC cible) est un entraînement d'intensité plus élevée destiné aux utilisateurs plus en forme, mettant l'accent sur les avantages cardiovasculaires. L'utilisateur doit porter une sangle pectorale de fréquence cardiaque ou garder les mains sur les poignées FC de contact en permanence. Le programme ajuste le niveau d'intensité, en fonction de la fréquence cardiaque réelle, pour le maintenir à 80% du maximum théorique.	20:00	Âge, fréquence cardiaque, contrôle de la FC, vitesse max. ou inclinaison max., temps, poids	Vitesse ou Élévation
	WEIGHT LOSS	Weight Loss (perte de poids) est un entraînement de faible intensité destiné à brûler les réserves de graisse du corps. L'utilisateur doit porter une sangle pectorale de fréquence cardiaque ou garder les mains sur les poignées FC de contact en permanence. Le programme ajuste le niveau d'intensité, en fonction de la fréquence cardiaque réelle, pour le maintenir à 65% du maximum théorique. Et utilisez l'Indice de masse corporelle (IMC) pour mesurer votre composition corporelle.	20:00	Âge, fréquence cardiaque, contrôle de la FC, vitesse max. ou inclinaison max., temps, poids, hauteur	Vitesse ou Élévation
	TEST DE FITNESS	Le tapis roulant Vision propose des tests de condition physique, comme par exemple le protocole Gerkin ou test du pompier ; le protocole Gerkin a été développé par le Dr Richard Gerkin du service des pompiers de Phoenix (Arizona). Il s'agit d'une évaluation sur tapis roulant graduée sous-maximale utilisée par de nombreux services de pompiers à travers les États-Unis pour évaluer la condition physique des pompiers. Le test nécessite une surveillance constante de la fréquence cardiaque de l'utilisateur. L'utilisation d'une sangle pectorale télémétrique est donc vivement encouragée.	N/A	N/A	N/A





# TABLEAUX DES PROGRAMMES

## TEST DE FITNESS - GERKIN

Étape	Temps total	Vitesse MPH	Inclinaison %	VO2 max prévu (ml/kg/min)	VO2 max prévu METS
0 (échauffement)	1:00	3,0	0	13,3	3,3
	2:00	3,0	0	13,3	3,3
	3:00	3,0	0	13,3	3,3
1	3:30	4,5	0	15,3	4,4
	4:00	4,5	0	17,4	5,0
2	4:30	4,5	2	19,4	5,5
	5:00	4,5	2	21,5	6,1
3	5:30	5,0	2	23,6	6,7
	6:00	5,0	2	27,6	7,9
4	6:30	5,0	4	28,7	8,2
	7:00	5,0	4	29,8	8,5
5	7:30	5,5	4	31,2	8,9
	8:00	5,5	4	32,7	9,3
6	8:30	5,5	6	33,9	9,7
	9:00	5,5	6	35,1	10,0
7	9:30	6,0	6	36,6	10,5
	10:00	6,0	6	38,2	10,9
8	10:30	6,0	8	39,5	11,3
	11:00	6,0	8	40,9	11,6
9	11:30	6,5	8	42,6	12,2
	12:00	6,5	8	44,3	12,7
10	12:30	6,5	10	45,7	13,1
	13:00	6,5	10	47,2	13,5
11	13:30	7,0	10	49,0	14,0
	14:00	7,0	10	50,8	14,5
12	14:30	7,0	12	52,3	14,9
	15:00	7,0	12	53,9	15,4
13	15:30	7,5	12	55,8	15,9
	16:00	7,5	12	57,8	16,5
14	16:30	7,5	14	59,5	17,0
	17:00	7,5	14	61,2	17,5
15	17:30	8,0	14	63,2	18,1
	18:00	8,0	14	65,3	18,7

VO2 max (ml/kg/min)	RÉSULTAT DU TEST	PERCENTILE	FEMMES				HOMMES			
			20-29	30-39	40-49	50-59	20-29	30-39	40-49	50-59
SUPÉRIEUR	99	> 53,0	> 48,7	> 46,8	> 42,0	> 58,8	> 58,9	> 55,4	> 52,5	
	95	46,8	43,9	41,0	36,8	54,0	52,5	50,4	47,1	
EXCELLENT	90	44,2	41,0	39,5	35,2	51,4	50,3	48,2	45,3	
	80	41,0	38,6	36,3	32,3	48,2	46,8	44,1	41,0	
BIEN	70	38,1	36,7	33,8	30,9	46,8	44,6	41,8	38,5	
	60	36,7	34,6	32,3	29,4	44,2	42,4	39,9	36,7	
PAS MAL	50	35,2	33,8	30,9	28,2	42,5	41,0	38,1	35,2	
	40	33,8	32,3	29,5	26,9	41,0	38,9	36,7	33,8	
FAIBLE	30	32,3	30,5	28,3	25,5	39,5	37,4	35,1	32,3	
	20	30,6	28,7	26,5	24,3	37,1	35,4	33,0	30,2	
TRÈS FAIBLE	10	28,3	26,5	25,1	22,3	34,5	32,5	30,9	28,0	
	5	25,9	25,1	23,5	21,1	31,6	30,9	28,3	25,1	

### 1. Pendant le test

**1.1** Si la touche STOP est enfoncée, l'instrument met fin au test et affiche « TEST TERMINATED ».

**1.2** Lorsque FC (fréquence cardiaque) > FCC (fréquence cardiaque cible) dépasse 15 secondes ou effectue des tests de 18 minutes, l'appareil passe à l'état « COOL DOWN » pour mettre fin à toutes les actions de test et afficher les résultats du test.

**1.3** Une fois que WARM UP (échauffement) est terminé, si la fréquence cardiaque n'est pas détectée, l'instrument affichera « HEART RATE LOST GRIP SENSORS » (fréquence cardiaque perdue par les capteurs). Si, après plus de 20 secondes, la fréquence cardiaque n'est toujours pas détectée, la machine met fin au test et passe à l'état COOL DOWN, puis affiche « TEST TERMINATED ».

### 2. Résultats du test :

Temps total / Calories / Numéro d'étape / Niveau de test

### 3. FCC = (220 - ÂGE) x 0,85

## INTERVALLES

SEGMENT NIVEAU	1	2	3	4	5	6	7	8	9	10	11	12	13	14
	INCLINAISON													
L1	1	1	2	1	2	1	3	1	2	1	2	1	1	1
L2	1	2	3	1	3	1	3	1	3	1	3	2	1	1
L3	1	2	3	1	3	1	4	1	3	1	3	2	1	1
L4	1	3	4	1	4	1	5	1	4	1	4	3	1	1
L5	2	3	5	2	5	2	5	2	5	2	5	3	2	2
L6	2	4	5	2	5	2	6	2	5	2	5	4	2	2
L7	2	4	6	2	6	2	7	2	6	2	6	4	2	2
L8	3	5	7	3	7	3	8	3	7	3	7	5	3	3
L9	3	5	8	3	8	3	9	3	8	3	8	5	3	3
L10	3	6	9	3	9	3	10	3	9	3	9	6	3	3

Les informations de carte de programme aléatoires proviennent de la table d'intervalle.



## GUIDE DE DÉMARRAGE

- 1) Assurez-vous qu'aucun objet qui pourrait gêner le mouvement du tapis de course n'est placé sur la courroie.
- 2) Branchez le cordon d'alimentation et allumez le tapis de course.
- 3) Tenez-vous sur les rails latéraux du tapis de course.
- 4) Attachez le clip de la clé de sécurité à une partie de votre vêtement en vous assurant qu'il est bien en place et qu'il ne se détachera pas pendant le fonctionnement.

### A) DÉMARRAGE RAPIDE

Il suffit d'appuyer sur ► pour commencer à s'entraîner. Le temps augmentera à partir de 0h00. L'entraînement commence à l'inclinaison et à la vitesse les plus basses.

### B) SÉLECTIONNER UN PROGRAMME

- 1) Sélectionnez un programme à l'aide des **TOUCHES DE PROGRAMME** et appuyez sur ✓.
- 2) Suivez les invites du **CENTRE D'INSTRUCTIONS** pour définir les informations du programme d'entraînement à l'aide de ▲ ▼ ou du **CLAVIER NUMÉRIQUE**. Appuyez sur ✓ après chaque sélection.
- 3) Appuyez sur ► pour commencer la séance d'entraînement.

REMARQUE : Vous pouvez régler les niveaux de vitesse et d'inclinaison pendant votre entraînement.

### C) FIN DE VOTRE ENTRAÎNEMENT

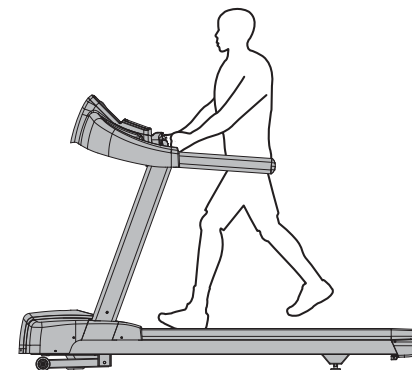
Lorsque votre entraînement est terminé, vos informations d'entraînement s'affichent sur la console.

### POUR EFFACER LA SÉLECTION EN COURS

Pour effacer la sélection de programme ou l'écran en cours, maintenez enfoncée la touche **STOP** ■ pendant 3 secondes.

## UTILISATION APPROPRIÉE

Placez vos pieds sur la courroie, pliez légèrement vos bras et saisissez les capteurs de fréquence cardiaque (comme indiqué). Pendant la course, vos pieds doivent être placés au centre de la courroie afin que vos mains puissent se balancer naturellement et sans contact avec les guidons avant.



Votre tapis roulant est capable d'atteindre des vitesses élevées. Commencez toujours avec une vitesse plus lente et ajustez la vitesse par petits incréments pour atteindre un niveau de vitesse plus élevé. Ne laissez jamais le tapis roulant sans surveillance pendant son fonctionnement. Lorsqu'il n'est pas utilisé, mettez l'interrupteur marche / arrêt sur arrêt et débranchez le cordon d'alimentation. Veillez à suivre le programme de **MAINTENANCE** de ce guide pour maintenir des performances optimales et éviter les pannes électroniques prématurées. Gardez votre corps et votre tête orientés vers l'avant. Ne tentez pas de vous retourner ou de regarder en arrière lorsque le tapis de course est en marche. Arrêtez immédiatement votre entraînement si vous ressentez une douleur, si vous vous sentez fléchir, si vous êtes étourdi(e) ou si vous êtes à bout de souffle.





## AVANT DE COMMENCER

### EMPLACEMENT DU TAPIS DE COURSE

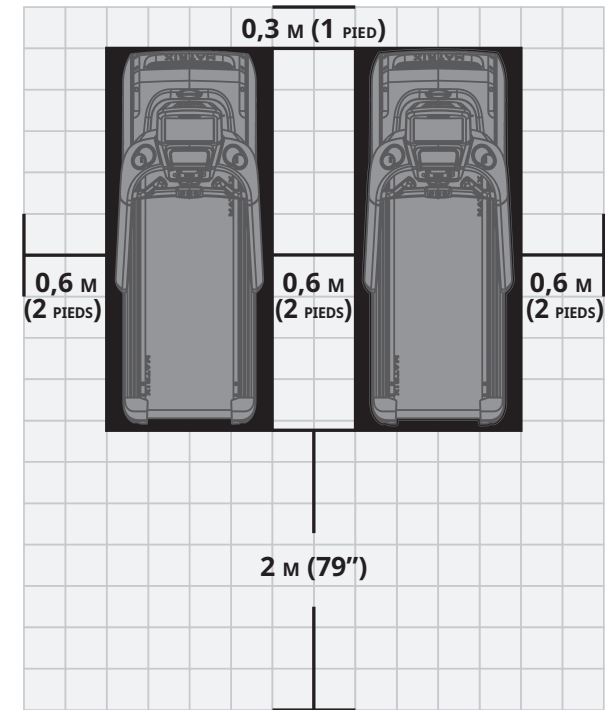
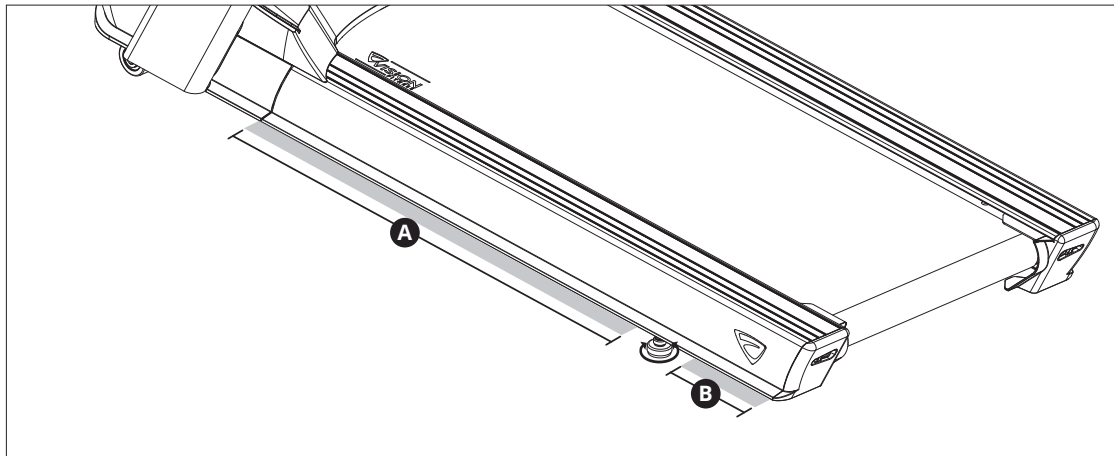
Placez l'équipement sur une surface plane et stable, à l'abri de la lumière directe du soleil. La lumière UV intense peut provoquer une décoloration des plastiques. Placez l'équipement dans une zone avec des températures fraîches et une faible humidité. Laissez une zone dégagée derrière le tapis de course d'une longueur minimale de la largeur du tapis de course et d'au moins 2 mètres (79"). Cette zone doit être exempte de toute obstruction et fournir à l'utilisateur une voie de sortie dégagée de la machine. Pour faciliter l'accès, vous devez disposer d'un espace accessible des deux côtés du tapis de course d'au moins 0,6 mètre (24") afin de permettre à un utilisateur d'avoir accès au tapis de course d'un côté ou de l'autre. Ne placez pas le tapis de course dans un endroit où il serait susceptible de bloquer les ouvertures d'aération ou de ventilation. Le tapis de course ne doit pas être situé dans un garage, sur une terrasse couverte, près de l'eau ou à l'extérieur.

### NIVELLEMENT DU TAPIS DE COURSE

Il est extrêmement important que les niveleurs soient correctement ajustés pour un fonctionnement correct. Tournez le pied de nivellement dans le sens horaire pour abaisser le tapis de course et dans l'autre sens pour le relever. Ajustez chaque côté si nécessaire jusqu'à ce que le tapis de course soit à niveau. Un appareil non équilibré peut provoquer un défaut d'alignement de la courroie ou d'autres problèmes. L'utilisation d'un niveau est recommandée.

### DÉPLACEMENT DU TAPIS ROULANT

Pour éviter d'endommager des pièces lorsque vous déplacez le tapis de course, soulevez-le uniquement dans les zones **A** ou **B** comme indiqué sur l'image.



### AVERTISSEMENT !

Notre équipement est lourd ; prenez des précautions et demandez de l'aide supplémentaire si nécessaire quand vous la déplacez. Le non-respect de ces instructions peut entraîner des blessures. N'utilisez jamais l'équipement si son cordon ou sa fiche est endommagé(e), s'il ne fonctionne pas correctement, s'il a été endommagé ou s'il a été immergé dans l'eau. Contactez l'assistance technique client pour un examen ou une réparation.



## TENSION DE LA COURROIE DE COURSE

Après avoir placé le tapis de course dans la position où il sera utilisé, la courroie doit être vérifiée pour avoir la tension et le centrage appropriés. Il se peut que la courroie doive être ajustée après les deux premières heures d'utilisation. La température, l'humidité et l'utilisation font que la courroie s'étire à des vitesses différentes. Si la courroie commence à glisser lorsqu'un utilisateur est dessus, veillez à suivre les instructions ci-dessous.

- 1) Localisez les deux boulons à tête hexagonale à l'arrière du tapis de course. Les boulons sont situés à chaque extrémité du châssis à l'arrière du tapis de course. Ces boulons permettent de régler le rouleau de courroie arrière. Ne faites pas de réglage tant que le tapis de course n'est pas allumé. Cela évitera un resserrement excessif d'un côté.
- 2) La courroie doit avoir une distance égale de part et d'autre du châssis. Si la courroie touche un côté, ne démarrez pas le tapis de course. Tournez les boulons dans le sens anti-horaire d'environ un tour complet de chaque côté. Centrez manuellement la courroie en la poussant d'un côté à l'autre jusqu'à ce qu'elle soit parallèle aux rails latéraux. Serrez les boulons de la même manière que lorsque l'utilisateur les a desserrés, environ d'un tour complet. Inspectez la courroie pour tout dommage.
- 3) Démarrez le tapis roulant en appuyant sur le bouton GO. Augmentez la vitesse jusqu'à environ 4,8 km / h (3 mph) et observez la position de la courroie. Si elle se déplace vers la droite, serrez le boulon droit en le tournant d'un quart de tour dans le sens horaire et desserrez le boulon gauche d'un quart de tour. Si elle se déplace vers la gauche, serrez le boulon gauche en le tournant d'un quart de tour dans le sens horaire et desserrez le droit d'un quart de tour. Répétez l'étape 3 jusqu'à ce que la courroie reste centrée pendant plusieurs minutes.
- 4) Vérifiez la tension de la courroie. La courroie doit être très bien ajustée. Quand une personne marche ou court sur la courroie, elle ne doit pas hésiter ou glisser. Si cela se produit, serrez la courroie en tournant les deux boulons d'un quart de tour dans le sens des aiguilles d'une montre. Répétez si nécessaire.

**REMARQUE :** Utilisez la bande orange dans la position de côté des rails latéraux comme critère pour confirmer que la courroie est correctement centrée. Il est nécessaire de régler la courroie jusqu'à ce que le bord de la courroie soit parallèle à la bande orange ou blanche.

### AVERTISSEMENT !

Ne faites pas fonctionner la courroie plus vite que 4,8 km / h (~ 3 mph) en centrant. Gardez les doigts, les cheveux et les vêtements éloignés de la courroie en tout temps.

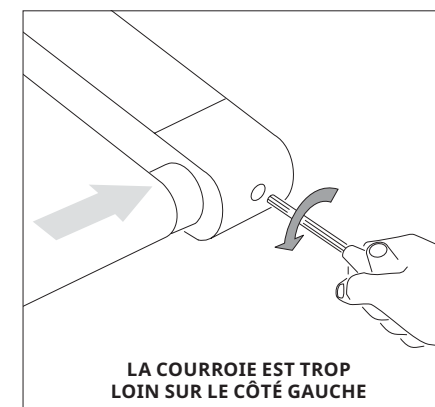
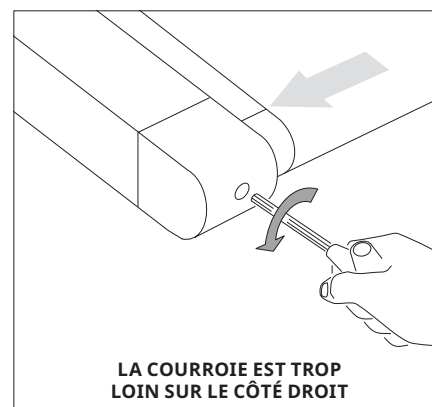
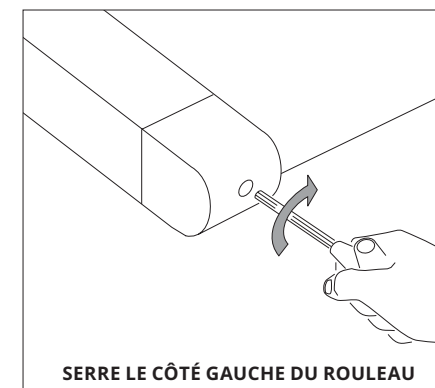
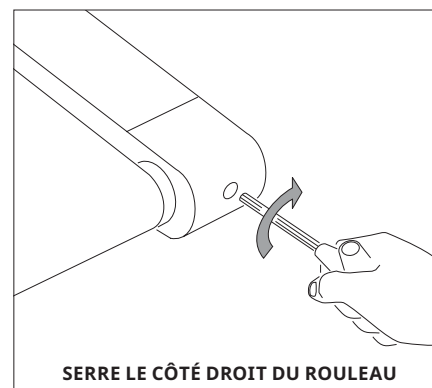
Tapis roulants équipés de mains courantes latérales et d'un guidon avant pour le soutien de l'utilisateur et le démontage d'urgence ; appuyez sur le bouton d'urgence pour arrêter la machine en cas de démontage d'urgence.

### AVANT D'UTILISER LE TAPIS ROULANT

Effectuez les réglages initiaux et calibrez le tapis de course à l'aide de la fonction d'étalonnage automatique disponible en « Mode Gestionnaire » ou en « Mode ingénierie ».

#### REMARQUE :

- NE VOUS TENEZ PAS sur la courroie pendant que la séquence d'étalonnage automatique est en cours.
- NE RÉGLEZ PAS l'inclinaison tant que la configuration initiale et l'étalonnage automatique ne sont pas terminés.
- NE DÉMARREZ PAS le tapis de course et n'appuyez sur aucun bouton de vitesse jusqu'à ce que vous en receviez l'instruction lors de tension de la courroie de course.





## ATTENTION !

### RISQUE DE BLESSURES AUX PERSONNES

Quand vous vous apprêtez à utiliser le tapis de course, ne vous tenez pas sur la courroie. Placez vos pieds sur les rails latéraux avant de démarrer le tapis de course. Ne commencez à marcher sur la courroie que lorsque celle-ci a commencé à bouger. Ne démarrez jamais le tapis de course à une vitesse rapide en essayant de sauter dessus ! En cas d'urgence, placez vos deux mains sur les accoudoirs pour vous tenir debout et placez vos pieds sur les rails latéraux.

### UTILISATION DE LA CLÉ DE SÉCURITÉ

Votre tapis de course ne démarrera que si le bouton d'arrêt d'urgence est réinitialisé. Attachez bien le clip à vos vêtements. Cette clé de sécurité est conçue pour couper l'alimentation du tapis de course si vous tombez. Vérifiez le fonctionnement de la clé de sécurité toutes les 2 semaines.

### AVERTISSEMENT !

N'utilisez jamais le tapis de course sans fixer la clé de sécurité à vos vêtements. Tirez d'abord sur le clip de la clé de sécurité pour vous assurer qu'il ne se décollera pas de vos vêtements.

N'engagez la marche arrière de la courroie que dans un environnement surveillé. La vitesse maximale par défaut de la courroie est de 3 km / h et ne doit être modifiée que par un technicien agréé.

Votre tapis roulant est capable d'atteindre des vitesses élevées. Commencez toujours avec une vitesse plus lente et ajustez la vitesse par petits incréments pour atteindre un niveau de vitesse plus élevé. Ne laissez jamais le tapis roulant sans surveillance pendant son fonctionnement. Lorsqu'il n'est pas utilisé, mettez l'interrupteur marche / arrêt sur arrêt et débranchez le cordon d'alimentation. Veillez à suivre le programme de MAINTENANCE de ce guide pour maintenir des performances optimales et éviter les pannes électroniques prématurées. Gardez votre corps et votre tête orientés vers l'avant. Ne tentez pas de vous retourner ou de regarder en arrière lorsque le tapis de course est en marche. Arrêtez immédiatement votre entraînement si vous ressentez une douleur, si vous vous sentez fléchir, si vous êtes étourdi(e) ou si vous êtes à bout de souffle.

## UTILISATION DE LA FONCTION FRÉQUENCE CARDIAQUE (HEART RATE)

La fonction de fréquence cardiaque sur ce produit n'est pas un appareil médical. Bien que les poignées de fréquence cardiaque puissent fournir une estimation relative de votre fréquence cardiaque réelle, elles ne doivent pas être utilisées lorsque des mesures précises sont nécessaires. Certaines personnes, y compris celles qui suivent un programme de réadaptation cardiaque, peuvent tirer avantage de l'utilisation d'un autre système de surveillance de la fréquence cardiaque, comme une ventrale ou une dragonne. Divers facteurs, y compris le mouvement de l'utilisateur, peuvent affecter la précision de la lecture de votre fréquence cardiaque. La lecture de la fréquence cardiaque est uniquement destinée à servir d'aide durant l'exercice pour déterminer les tendances du rythme cardiaque en général. Veuillez consulter votre médecin.

### CAPTEUR DE POULS

Placez les paumes de vos mains directement sur le capteur de pouls. Vous devez saisir les capteurs avec les deux mains pour que votre fréquence cardiaque soit enregistrée. Il faut 5 battements cardiaques consécutifs (15 à 20 secondes) pour que votre fréquence cardiaque soit enregistrée. Lorsque vous saisissez le capteur de pouls, ne le tenez pas trop fermement. Tenir fermement les poignées peut faire augmenter votre tension artérielle. Maintenez une prise détendue et relâchée. La lecture peut être erronée si vous tenez le capteur de pouls trop fermement. Veillez à nettoyer les capteurs de pouls pour vous assurer que le contact est bien maintenu. Les capteurs de pouls sont conçus uniquement à des fins de détection du pouls.

### AVERTISSEMENT !

Les systèmes de surveillance de la fréquence cardiaque peuvent être inexacts. S'exercer de manière excessive peut entraîner des blessures graves ou la mort. Si vous vous sentez mal, arrêtez immédiatement de vous entraîner.

## SPÉCIFICATIONS DU PRODUIT

Poids utilisateur max.	182 kg / 400 livres
Poids du produit	178 kg / 392 lbs.
Poids d'expédition	210 kg /462 lbs.
Dimensions hors-tout (lo. x la. x ha.)*	215 x 91 x 154 cm / 85" x 36" x 61"

\* Assurez une largeur de dégagement minimale de 0,6 mètre (24 po) pour l'accès aux équipements VISION et leur contournement. Veuillez noter que 0,91 mètre (36") est la largeur de dégagement recommandée par l'ADA pour les personnes en fauteuil roulant.



## ENTRETIEN

Tout retrait ou remplacement de pièces doit être effectué par un technicien qualifié.

- 1) N'utilisez PAS un équipement endommagé ni des pièces usées ou cassées.  
N'utilisez que des pièces de rechange fournies par votre revendeur local VISION.
- 2) MAINTENANCE DES ÉTIQUETTES ET DES PLAQUES SIGNALÉTIQUES : Ne retirez les étiquettes sous aucun prétexte. Elles contiennent des informations importantes. Si elles sont illisibles ou manquantes, contactez votre revendeur VISION pour un remplacement.
- 3) MAINTENANCE DE TOUS LES ÉQUIPEMENTS : La maintenance préventive est la clé pour assurer le bon fonctionnement de l'équipement et minimiser votre responsabilité. L'équipement doit être inspecté à intervalles réguliers.
- 4) Assurez-vous que toute personne effectuant des ajustements ou des opérations de maintenance / réparation de quelque nature que ce soit est qualifiée pour le faire. Les concessionnaires VISION dispenseront, sur demande, une formation sur l'entretien et la maintenance dans nos locaux.

### AVERTISSEMENT !

Pour couper l'alimentation du tapis de course, le cordon d'alimentation doit être débranché de la prise murale.

## ASTUCES DE NETTOYAGE RECOMMANDÉES

L'entretien préventif et le nettoyage quotidien prolongeront la durée de vie et l'apparence de votre équipement.

- 1) Utilisez un chiffon en coton doux et propre. N'utilisez PAS d'essuie-tout pour nettoyer les surfaces du tapis de course. Les essuie-tout sont abrasifs et peuvent endommager les surfaces.
- 2) Utilisez un savon doux et un chiffon humide. N'UTILISEZ PAS de nettoyant à base d'ammoniac ou d'alcool. Cela entraînera une décoloration de l'aluminium et des plastiques avec lesquels il entre en contact.
- 3) Ne versez pas d'eau ou ni aucune solution de nettoyage sur aucune surface. Cela pourrait causer une électrocution.
- 4) Essuyez la console, le capteur de fréquence cardiaque, les poignées et les rails latéraux après chaque utilisation.
- 5) Enlevez tous les dépôts de cire du plateau et de la courroie. C'est un phénomène courant qui se produit jusqu'à ce que la cire soit incorporée dans le matériau de la courroie.
- 6) Veillez à retirer tout obstacle du chemin des roues d'élévation, y compris les cordons d'alimentation.

Pour nettoyer les écrans tactiles, utilisez de l'eau distillée dans un flacon pulvérisateur. Vaporisez de l'eau distillée sur un chiffon doux, propre et sec et essuyez l'écran jusqu'à ce qu'il soit propre et sec. L'ajout de vinaigre est recommandé.

### ATTENTION !

Assurez-vous de bénéficier de l'assistance nécessaire pour installer et déplacer l'appareil afin d'éviter des blessures ou d'endommager le tapis de course.

## PROGRAMME D'ENTRETIEN

ACTION	FRÉQUENCE
Débranchez l'appareil. Nettoyez la machine entière avec de l'eau et un savon doux ou une autre solution approuvée (les produits de nettoyage doivent être exempts d'alcool et d'ammoniac).	QUOTIDIENNEMENT
Inspectez le cordon d'alimentation. Si le cordon d'alimentation est endommagé, contactez le support technique.	QUOTIDIENNEMENT
Assurez-vous que le cordon d'alimentation ne se trouve pas sous l'appareil ni dans tout autre endroit où il pourrait rester coincé ou être coupé pendant le stockage ou l'utilisation.	QUOTIDIENNEMENT
Débranchez le tapis roulant et retirez le couvercle du moteur. Vérifiez s'il y a des débris et nettoyez-les avec un chiffon sec ou une petite buse d'aspirateur. <b>AVERTISSEMENT</b> : Ne branchez pas le tapis roulant tant que le couvercle du moteur n'a pas été réinstallé.	MENSUELLEMENT
Pour les consoles à écran tactile, accédez au mode service et sélectionnez « test ». Sélectionnez « Étalonnage tactile » (touch calibration), puis sélectionnez « Démarrer » (start). Suivez les instructions à l'écran et touchez l'écran si indiqué.	TRIMESTRIELLEMENT
Nettoyez les capteurs IR (situés sur les mâts de la console) avec un coton-tige et de l'alcool à friction.	TRIMESTRIELLEMENT

## REPLACEMENT DE LA PLATEFORME ET DE LA COURROIE

L'une des pièces d'usure les plus courantes sur un tapis roulant est la combinaison plateforme et courroie. Si ces deux éléments ne sont pas correctement entretenus, ils peuvent endommager d'autres composants. Ce produit est équipé du système de lubrification le plus avancé du marché, ne nécessitant aucun entretien.

### AVERTISSEMENT !

Ne faites pas fonctionner le tapis roulant pendant le nettoyage de la courroie et de la plateforme. Cela peut provoquer des blessures graves et endommager la machine. Maintenez la courroie et la plateforme en essuyant les côtés de la courroie et de la plateforme avec un chiffon propre. L'utilisateur peut également essuyer sous la courroie 50 mm (~ 2 pouces) des deux côtés, en éliminant la poussière ou les débris. La plateforme peut être retournée et réinstallée ou remplacée par un technicien de service autorisé. Veuillez contacter Vision Fitness Systems pour de plus amples informations.



ESPAÑOL

# PRECAUCIONES IMPORTANTES

## GUARDE ESTAS INSTRUCCIONES

- A la hora de utilizar una cinta, existen ciertas precauciones básicas que deberá seguir, incluidas las siguientes: Lea todas las instrucciones antes de utilizar este equipo. El propietario es responsable de garantizar que todos los usuarios de este equipo estén informados de manera adecuada sobre todas las advertencias y precauciones.
- Este equipo ha sido concebido para un uso comercial. Para garantizar su seguridad y proteger el equipo, lea todas las instrucciones antes de utilizarlo.

## PELIGRO

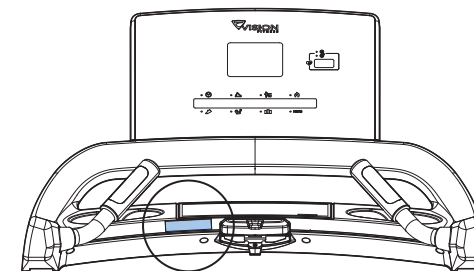
### PARA REDUCIR EL RIESGO DE DESCARGA ELÉCTRICA:

- Desenchufe el equipo de la corriente eléctrica inmediatamente después de su uso, antes de proceder a su limpieza, durante el mantenimiento y al montar o desmontar piezas.

## ADVERTENCIA

### PARA REDUCIR EL RIESGO DE QUEMADURAS, INCENDIOS, DESCARGAS ELÉCTRICAS O LESIONES PERSONALES:

- Un ejercicio excesivo o inadecuado puede causar lesiones. Si nota algún tipo de dolor, como, por ejemplo, dolores en el pecho, náuseas, mareos o dificultades para respirar, pare de hacer ejercicio de inmediato y consulte a su médico antes de continuar.
- A la hora de hacer ejercicio, mantenga en todo momento un ritmo que le resulte cómodo.
- No lleve prendas de vestir que puedan engancharse en alguna pieza de la cinta.
- Cuando utilice este dispositivo de ejercicios, póngase un calzado adecuado (es decir, zapatillas de deporte).
- No salte sobre la cinta.
- En ningún momento debe haber más de una persona si la cinta está en marcha.
- Las personas con un peso superior al especificado en el APARTADO DE ESPECIFICACIONES DEL MANUAL DE USUARIO no deben utilizar la cinta. El incumplimiento de estas indicaciones dará lugar a la anulación de la garantía.
- Desconecte la alimentación eléctrica antes de mover el equipo o realizar tareas de mantenimiento.
- Para limpiar, pase únicamente un paño ligeramente húmedo y con jabón por las superficies. Nunca utilice disolventes. (Consulte MANTENIMIENTO)
- El equipo deberá desenchufarse cuando no se esté utilizando y antes de instalar o quitar alguna pieza.
- Conecte la máquina únicamente a una toma de corriente con conexión a tierra.
- No retire las cubiertas protectoras a menos que así se lo indique un profesional y el distribuidor local. El mantenimiento únicamente deberá realizarse por parte de un técnico de mantenimiento autorizado.
- La instalación de piezas o accesorios que no se hayan diseñado originalmente para el equipo o que no sean compatibles con él anularán la garantía y pueden repercutir en la seguridad.
- Para una altura de la cabeza normal, el nivel de presión sonora con peso A cuando la cinta se utiliza a 12 km/h (sin carga) no supera los 70 dB.
- La emisión de ruido con carga es mayor que cuando no existe ninguna carga.
- Las mascotas y los niños menores de 14 años no deben estar BAJO NINGUNA CIRCUNSTANCIA a menos de 3 metros (10 ft) de la cinta.
- Los niños menores de 14 años no deben utilizar la cinta BAJO NINGUNA CIRCUNSTANCIA.
- Los niños mayores de 14 años no deben utilizar la cinta sin la supervisión de un adulto.
- Este equipo no está diseñado para que lo utilicen personas con capacidades físicas, sensoriales o mentales reducidas, ni personas con falta de experiencia y conocimientos, a menos que reciban vigilancia o instrucciones relativas al uso del equipo por parte de una persona responsable de su seguridad.
- Use la cinta únicamente para su uso previsto de acuerdo con lo que se describe en el manual del usuario.
- No utilice la cinta si algún cable o enchufe se encuentra dañado, si no funciona correctamente, si se ha caído o estropeado, o si se ha sumergido en agua. Póngase en contacto con el soporte técnico al cliente para revisiones y reparaciones.
- Para evitar el riesgo de descargas eléctricas, este equipo solo se debe conectar a un circuito con conexión a tierra sin bucle (aislada).
- Mantenga el cable de alimentación alejado de superficies calientes. No emplee el cable de alimentación para mover el equipo o como tirador.
- No use la cinta con el orificio de ventilación bloqueado. Mantenga el orificio de ventilación limpio y libre de pelos, pelusas y similares.
- Para prevenir descargas eléctricas, no introduzca ni deje caer ningún objeto en las aberturas.
- No utilice el equipo en lugares en los que se utilizan aerosoles (pulverizadores) o si se está administrando oxígeno.
- Para desconectar la unidad, coloque todos los controles en posición de apagado y desconecte el enchufe de la toma.
- No utilice la cinta en estancias sin control de la temperatura, como, por ejemplo, garajes, porches, salas de billar, cuartos de baño, aparcamientos cubiertos o espacios exteriores. El incumplimiento de estas indicaciones puede anular la garantía.
- La retirada de los paneles de acceso de protección SOLAMENTE la deberá llevar a cabo un técnico de servicio debidamente cualificado. Asegúrese de que todas las sujeciones se hayan vuelto a instalar correctamente después de sustituir los paneles de acceso.
- Para evitar lesiones, apóyese en las barras laterales antes de poner en marcha la cinta.
- Los sistemas de control de la frecuencia cardíaca pueden ser imprecisos.
- El ejercicio excesivo puede producir lesiones graves o la muerte.
- Si se nota mareado, pare de hacer ejercicio de inmediato.
- Para evitar una conexión incorrecta del cable de alimentación con la toma de alimentación de la máquina, instale el fijador del cable de alimentación después de conectar dicho cable al equipo.



**COLOQUE LA ETIQUETA DE ADVERTENCIA AQUÍ.**



ESPAÑOL

## PRECAUCIÓN

### CONSULTE A UN MÉDICO ANTES DE UTILIZAR ESTE EQUIPO. LEA EL MANUAL DE INSTRUCCIONES ANTES DE UTILIZAR LA UNIDAD.

- Es fundamental que este equipo solo se utilice en espacios interiores, en salas con control de la temperatura. Si el equipo se ha visto expuesto a temperaturas más bajas o climas muy húmedos, se recomienda encarecidamente que se ajuste el equipo a la temperatura de la habitación antes de utilizarlo por primera vez. Si no se procede de este modo, podrían producirse fallos electrónicos prematuros. La velocidad de arranque inicial (por defecto) son 0,8 km/h (0,5 mph). Una velocidad de arranque por defecto demasiado elevada puede resultar peligrosa.





# REQUISITOS DE ALIMENTACIÓN

## CIRCUITO ESPECÍFICO E INFORMACIÓN ELÉCTRICA

Por «circuito específico» se entiende que en una misma toma de corriente no debe haber otro enchufe conectado que no sea el del equipo. La manera más sencilla de comprobar esto es localizando la caja del disyuntor principal y apagando los disyuntores uno a uno. Una vez un disyuntor está apagado, lo único que no debería encenderse son los equipos en cuestión. Las lámparas, máquinas expendedoras, ventiladores, sistemas de sonido o cualquier otro aparato no deberían quedarse sin alimentación durante la prueba. «Conexión a tierra/neutro sin bucles (aislada)» implica que cada circuito debe contar con una conexión al neutro o a la tierra que salga del mismo y que termine en un punto aprobado de la tierra. No puede «hacer saltar» una conexión única al neutro o a la tierra de un circuito a otro.

## REQUISITOS ELÉCTRICOS

Para su seguridad y con el objetivo de garantizar un buen rendimiento de la cinta, la conexión a tierra de este circuito no debe tener bucles (aislada). Consulte los artículos 210.21 y 210.23 del Código Eléctrico Nacional de EE. UU. (NEC por sus siglas en inglés). La cinta dispone de un cable de alimentación con enchufe que se indica a continuación y necesita la toma que se indica. Cualquier alteración en este cable de alimentación podría suponer la anulación de la garantía del producto.

## EQUIPOS DE 220 V

En todas las cintas Vision de 220 V es necesario usar un «circuito específico» de 216-250 V, 50 Hz y 20 A con una conexión a tierra/neutra sin bucles (aislada). Esta toma de corriente debe ser un conector NEMA 6-20R y tener la misma configuración que el enchufe. No deben usarse adaptadores con este producto.

## INSTRUCCIONES PARA LA CONEXIÓN A TIERRA

El equipo debe estar conectado a tierra. En caso de avería o error, la conexión a tierra proporciona una vía de menor resistencia para la corriente eléctrica, reduciendo así el riesgo de descarga eléctrica. El equipo incluye un cable con un conductor y un enchufe de conexión a tierra. El enchufe debe estar conectado a una toma de corriente bien instalada y conectado a tierra según los códigos y ordenanzas locales. El incumplimiento de las presentes instrucciones de conexión a tierra podría conllevar la anulación de la garantía limitada de Vision.

## INFORMACIÓN ELÉCTRICA ADICIONAL

Además del circuito específico necesario, deberá usarse un cable del calibre adecuado de la caja del disyuntor con cada toma de corriente que tenga el máximo número de equipos conectada a ella. Si la distancia de la caja del disyuntor a cada toma de corriente es de 30,5 m (100 ft) o menos, debe usarse un cable de calibre 12. Para distancias superiores a 30,5 m (100 ft), debe usarse un cable de calibre 10.

## MODO DE AHORRO DE ENERGÍA/BAJO CONSUMO

Todos los equipos están configurados con la capacidad de entrar en modo de ahorro de energía/bajo consumo cuando el equipo no se haya usado durante un cierto período de tiempo. Es posible que se necesite un tiempo adicional para reactivar el equipo una vez este haya entrado en modo de bajo consumo. Esta característica de ahorro de energía puede activarse o desactivarse desde el «modo administrador» o el «modo ingeniero».

## ADVERTENCIA

Conecte la máquina únicamente a una toma de corriente con conexión a tierra.

- No use el producto si algún cable o enchufe está dañado, incluso si funciona correctamente. No use ningún producto si parece dañado o se ha sumergido en agua. Contacte con el servicio de asistencia técnica para sustituciones o reparaciones.

El incumplimiento de estas especificaciones puede causar daños al producto y conllevar la anulación de la garantía:

- Todas las tomas de vídeo y alimentación deben funcionar el día de envío/montaje del producto. El cliente será responsable de cualquier cargo de instalación adicional asociado a las visitas de seguimiento.
- El suministro eléctrico de su área puede variar. Para garantizar un rendimiento estable del producto, use el cable de calibre adecuado.

## PELIGRO

Una mala conexión del conductor de conexión a tierra puede conllevar riesgo de descarga eléctrica. Consulte a un electricista o técnico cualificado si tiene dudas sobre si el producto está conectado a tierra adecuadamente. No cambie el enchufe del producto. Si no encaja en la toma de corriente, contacte con un electricista cualificado para que instale una toma apropiada.





# MONTAJE

## DESEMBALAJE

Desembale el equipo en el lugar donde vaya a utilizarlo. Coloque la caja en una superficie plana y nivelada. Se recomienda que ponga una cubierta protectora en el suelo. Nunca abra la caja de lado.

## NOTAS IMPORTANTES

Durante todos los pasos del montaje, asegúrese de que TODAS las tuercas y los pernos se encuentren en su sitio y estén parcialmente enroscados. Hay varias piezas que se han sometido a una lubricación previa para facilitar el montaje y el uso del equipo. No limpie el material de lubricación. Si tiene dificultades en el montaje, se recomienda una ligera aplicación de grasa de litio.

## ADVERTENCIA

Durante el proceso de montaje, hay varias zonas a las que se debe prestar especial atención. Es muy importante seguir las instrucciones de montaje correctamente y asegurarse de apretar bien todas las piezas. Si no se siguen las instrucciones de montaje correctamente, podrían quedar piezas sin apretar en el equipo, que parecerá que están sueltas y pueden causar ruidos irritantes. Para evitar daños en el equipo, deben revisarse las instrucciones de montaje y deben tomarse medidas correctivas.

## ¿NECESITA AYUDA?

Si tiene preguntas o si faltan piezas, póngase en contacto con el servicio de asistencia técnica. Para obtener la información de contacto, visite [world.visionfitness.com](http://world.visionfitness.com).

## HERRAMIENTAS NECESARIAS:

- Llave en T de 8 mm
- Llave allen de 8 mm
- Llave allen de 6 mm
- Desatornillador de Phillips

## PIEZAS INCLUIDAS:

- 1 bastidor de base
- 1 juego de base para la consola
- 1 conjunto de consola
- 2 postes de consola
- 2 agarraderas
- 1 cable de alimentación
- 1 paquete de piezas de tornillería

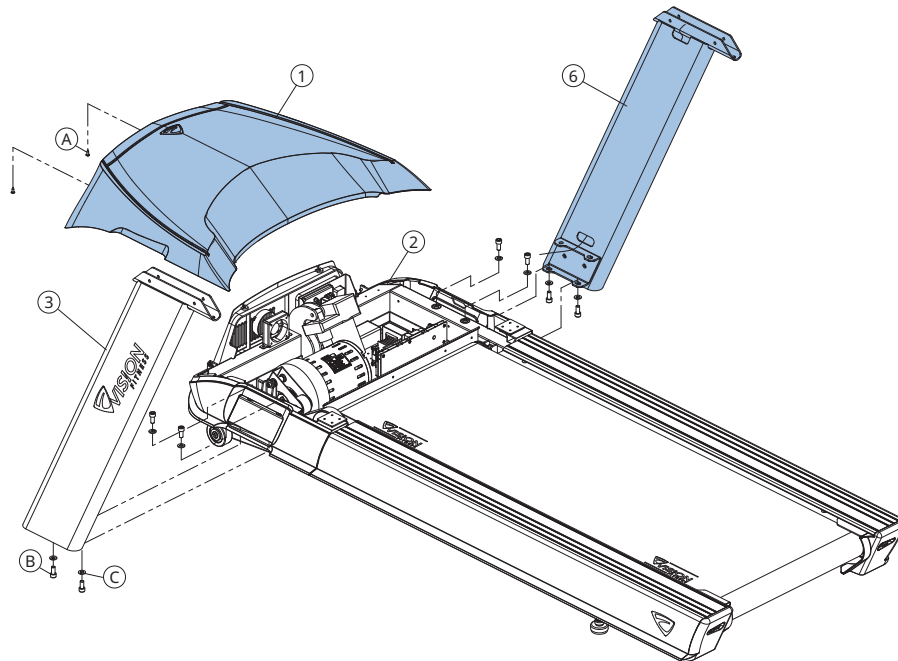
**1****IMPORTANTE:** No apriete los pernos hasta completar el paso 3.

- Retire los 2 tornillos preinstalados (A) y suelte la **CUBIERTA DEL MOTOR (1)**.
- Abra el **PAQUETE DE PIEZAS DE TORNILLERÍA PARA LLEVAR A CABO EL PASO 1**.
- Fije el **POSTE IZQUIERDO DE LA CONSOLA (3)** al **BASTIDOR DE LA BASE (2)** utilizando **4 PERNOS (B)** y **4 ARANDELAS PLANAS (C)** por la parte superior e inferior.
- Fije el **POSTE DERECHO DE LA CONSOLA (6)** al **BASTIDOR DE LA BASE (2)** utilizando **4 PERNOS (B)** y **4 ARANDELAS PLANAS (C)** por la parte superior e inferior.

NOTA: Tenga cuidado de no aplastar los cables al acoplar la agarradera.

**Piezas de tornillería para el paso 1**

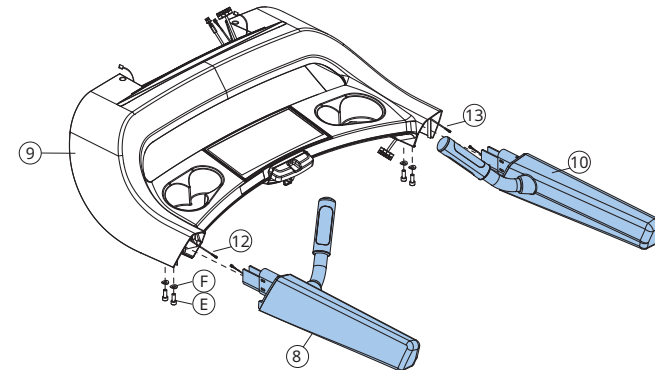
Descripción	Cantidad
A Tornillo preinstalado	2
B Perno	8
C Arandela plana	8

**2**

- Abra el **PAQUETE DE PIEZAS DE TORNILLERÍA PARA LLEVAR A CABO EL PASO 2**.
- Conecte el **CABLE DEL PUÑO DE LA FRECUENCIA CARDÍACA (12)**, deseche la ligadura del cable, meta los cables dentro de la **AGARRADERA IZQUIERDA (8)** e introdúzcala en la **BASE DE LA CONSOLA (9)**.
- Conecte el **CABLE DEL PUÑO DE LA FRECUENCIA CARDÍACA (13)**, deseche la ligadura del cable, meta los cables dentro de la **AGARRADERA DERECHA (10)** e introdúzcala en la **BASE DE LA CONSOLA (9)**.
- Fije las **AGARRADERAS (8 y 10)** a la **BASE DE LA CONSOLA (9)** utilizando **4 PERNOS (E)** y **4 ARANDELAS CURVADAS (F)**.

**Piezas de tornillería para el paso 2**

Descripción	Cantidad
E Perno	4
F Arandela de arco	4

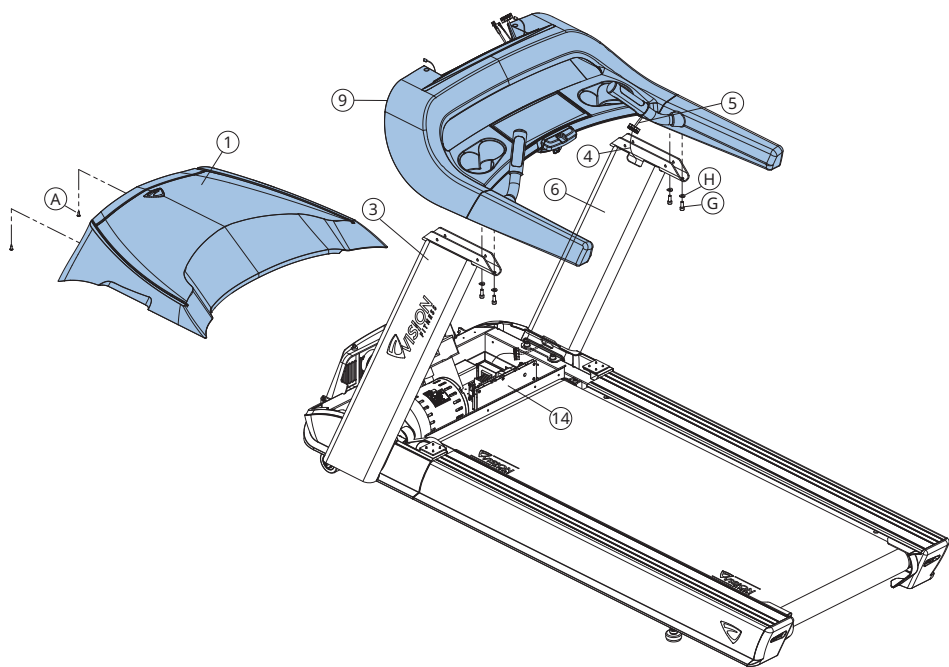


# 3

- Abra el **PAQUETE DE PIEZAS DE TORNILLERÍA PARA LLEVAR A CABO EL PASO 3**.
- Fije el **CABLE CONDUCTOR (4)** en el **CABLE DE LA CONSOLA (5)** y tire del cable a través del **POSTE DERECHO DE LA CONSOLA (6)**. Después de introducir el cable conductor en el poste, la parte superior del cable de la consola debe estar conectada a la **MCB (14)**. Desconecte y deseche el cable conductor.
- Fije la **BASE DE LA CONSOLA (9)** a los **POSTES DE LA CONSOLA (3 y 6)** utilizando **4 PERNOS (G)** y **4 ARANDELAS CURVADAS (H)**.
- Apriete todos los pernos de los pasos 1 al 3.
- Instale la **CUBIERTA DEL MOTOR (1)** utilizando 2 tornillos preinstalados (A).

### Piezas de tornillería para el paso 3

Descripción	Cantidad
G Perno	4
H Arandela de arco	4

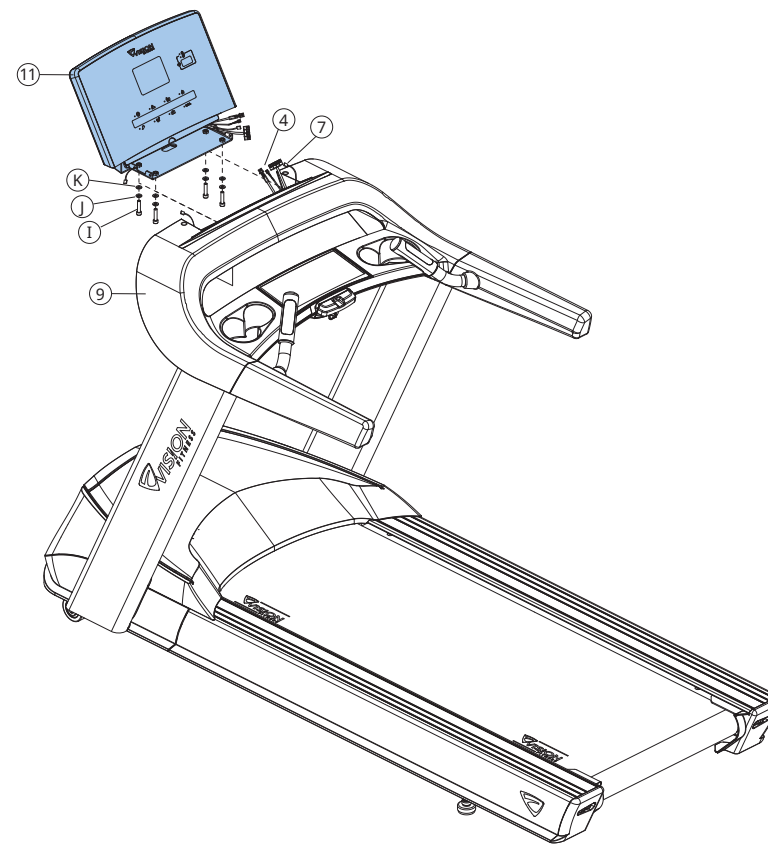


# 4

- Abra el **PAQUETE DE PIEZAS DE TORNILLERÍA PARA LLEVAR A CABO EL PASO 4**.
- Conecte los **CABLES DE LA CONSOLA (4)** y **LOS CABLES DE LA FRECUENCIA CARDÍACA (7)** a la **CONSOLA (11)** e introduzca con cuidado el cable que sobra en la **BASE DE LA CONSOLA (9)**.
- Fije la **CONSOLA (11)** a la **BASE DE LA CONSOLA (9)** utilizando **4 PERNOS (I)**, **4 ARANDELAS ELÁSTICAS (J)** y **4 ARANDELAS PLANAS (K)**.

### Piezas de tornillería para el paso 4

Descripción	Cantidad
I Perno	4
J Arandela elástica	4
K Arandela plana	4





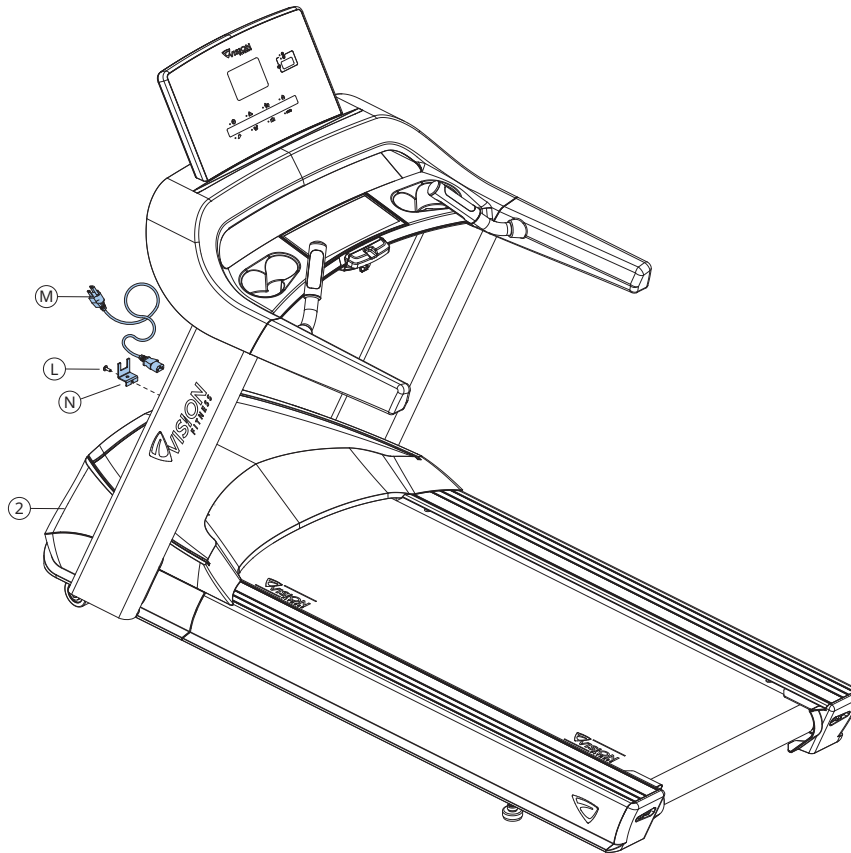
5

- Instale el **CABLE DE ALIMENTACIÓN (M)** en el **BASTIDOR DE LA BASE (2)**.
- Instale la **PLACA DE RETENCIÓN DEL CABLE DE ALIMENTACIÓN (N)** en el **BASTIDOR DE LA BASE (2)** utilizando 1 **TORNILLO (L)**.

Piezas de tornillería para el paso 5

Descripción	Cantidad
L Tornillo	1
M Cable de alimentación	1
N Placa de retención del cable de alimentación	1

**MONTAJE FINALIZADO**





# FUNCIONAMIENTO DE LA CONSOLA

## A VENTANA DE PERFIL DEL PROGRAMA

Representa el perfil del programa que se está utilizando (velocidad en los programas basados en la velocidad e inclinación en los programas centrados en la inclinación).

## B CENTRO DE FRECUENCIA CARDÍACA

Muestra la frecuencia cardíaca real y objetivo durante el entrenamiento. La consola muestra la frecuencia cardíaca en un margen de entre 15 y 20 segundos desde que se tocan los sensores o al utilizar una cinta pectoral de medición de la frecuencia cardíaca. En el programa FRECUENCIA CARDÍACA OBJETIVO, la frecuencia cardíaca objetivo introducida se mostrará en la ventana cada 60 segundos.

## C CENTRO DE INSTRUCCIONES

Muestra las instrucciones paso a paso para configurar un programa. Durante el entrenamiento, muestra el tiempo, el ritmo, la inclinación, la distancia, la velocidad, el nivel, las calorías y MET.

## D TECLADO DE CONTROL

Permite al usuario ajustar programas y controlar el entrenamiento.

### 1 TECLADO NUMÉRICO

Se utiliza para introducir los datos del programa durante su configuración. Pulse ✓ para confirmar los ajustes. Pulse ↵ para borrar los datos que todavía no haya introducido durante la configuración del entrenamiento.

### 2 VELOCIDAD E INCLINACIÓN

Utilice ▲ ▼ para ajustar la velocidad o la inclinación.

### 3 EMPEZAR ▶

Pulse este botón para iniciar el entrenamiento de inmediato, sin tener que seleccionar un programa de entrenamiento.

### 4 PARAR ■

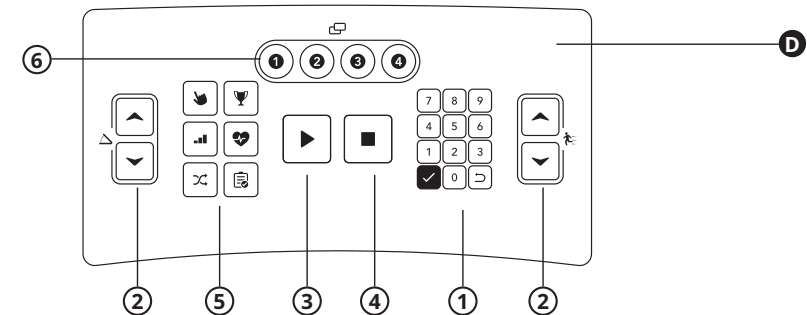
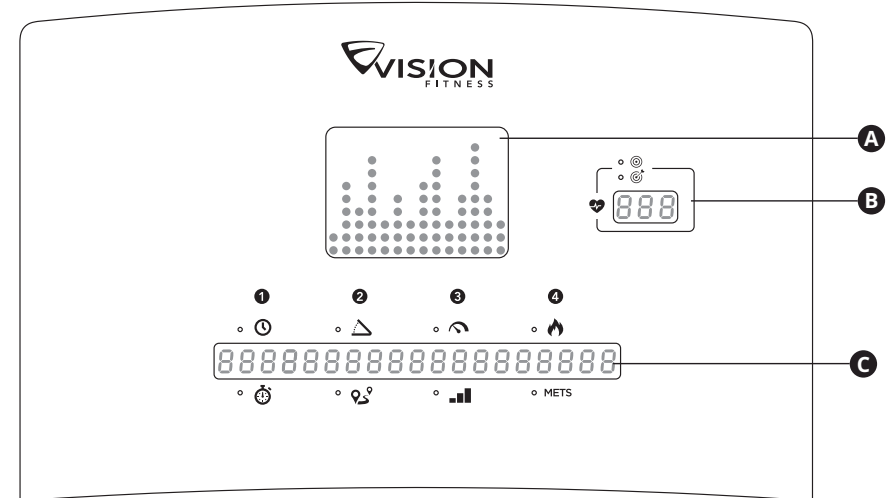
Pulse este botón para detener el entrenamiento. Manténgalo pulsado durante 3 segundos para restablecer la consola.

### 5 TECLAS DE PROGRAMA

Pulse estas teclas para seleccionar un programa. Para las opciones Objetivo+ y Frecuencia cardíaca+ , pulse la tecla varias veces para acceder a los programas adicionales.

### 6 CAMBIAR PANTALLA (1 - 4) ⇐

Pulse esta opción para cambiar la información de la pantalla durante el entrenamiento.



Para obtener más información sobre la consola y el montaje, visite el sitio web de Vision:  
[world.visionfitness.com](http://world.visionfitness.com)

**NOTA:** Por defecto, la ventana de tiempo realizará una cuenta hacia atrás desde el tiempo de entrenamiento total. De no establecerse ningún tiempo, la ventana de la hora empezará a contar desde 0:00.



## INFORMACIÓN DEL PROGRAMA

ESPAÑOL

PROGRAMA		DESCRIPCIÓN	TIEMPO POR DEFECTO	INFORMACIÓN EN PANTALLA	CONTROL DE PROGRAMA	
	INICIO RÁPIDO	El programa Inicio rápido es la forma más rápida de empezar a ejercitarse y omitir los avisos de configuración. Después de pulsar ▶, comienza un entrenamiento de nivel constante y la velocidad y la inclinación no cambian automáticamente.	No aplicable	No aplicable	No aplicable	
	MANUAL	El programa manual es un entrenamiento de esfuerzo constante en el cual el usuario puede cambiar la inclinación o la velocidad en cualquier momento.	20:00	Tiempo, peso	No aplicable	
	INTERVALO	El programa intervalo consta de períodos de ejercicio aeróbico intenso separados por períodos regulares de ejercicio de baja intensidad. El usuario puede cambiar la configuración de la velocidad actual en cualquier momento del entrenamiento.	20:00	Nivel, tiempo, peso	Elevación	
	OBJETIVO+	TIEMPO	Este entrenamiento establece la duración como objetivo del entrenamiento. En cuanto se alcanza el objetivo de duración, el entrenamiento pasa a la fase de enfriamiento.	20:00	Tiempo, iniciar inclinación, iniciar velocidad, peso	No aplicable
	DISTANCIA	Este entrenamiento ha sido diseñado para desarrollar la resistencia en una determinada distancia. En cuanto se alcanza el objetivo, el entrenamiento pasa automáticamente a la fase de enfriamiento y, después, termina.	No aplicable	Distancia, iniciar inclinación, iniciar velocidad peso	No aplicable	
	CALORÍAS	Este entrenamiento ha sido diseñado para quemar una determinada cantidad de calorías en la duración de tiempo determinada. En cuanto se alcanza el objetivo, el entrenamiento pasa automáticamente a la fase de enfriamiento y, después, termina.	No aplicable	Calorías, iniciar inclinación, peso	No aplicable	
	ALEATORIO	El programa aleatorio genera un patrón de terrenos aleatorio compuesto por colinas y valles que varía en cada entrenamiento.	20:00	Tiempo, peso	Elevación	
	FRECUENCIA CARDÍACA OBJETIVO	El programa de frecuencia cardíaca objetivo es un entrenamiento de mayor intensidad para los usuarios que estén más en forma que refuerza los beneficios cardiovasculares. El usuario debe utilizar una cinta pectoral de medición de la frecuencia cardíaca o apoyar las manos continuamente en los puños medidores de la frecuencia cardíaca. El programa ajusta el nivel de intensidad en función de la frecuencia cardíaca real para mantener la frecuencia al 80 % de su máximo teórico.	20:00	Edad, frecuencia cardíaca, control de frecuencia cardíaca, velocidad cardíaca, velocidad máxima o inclinación máxima, tiempo, peso	Velocidad o elevación	
	FRECUENCIA CARDÍACA+ PÉRDIDA DE PESO	El programa de pérdida de peso es un entrenamiento de baja intensidad que permite quemar las reservas de grasa del cuerpo. El usuario debe utilizar una cinta pectoral de medición de la frecuencia cardíaca o apoyar las manos continuamente en los puños medidores de la frecuencia cardíaca. El programa ajusta el nivel de intensidad en función de la frecuencia cardíaca real para mantener la frecuencia al 65 % de su máximo teórico. Además, también utiliza el índice de masa corporal (IMC) para medir la composición del cuerpo del usuario.	20:00	Edad, frecuencia cardíaca, control de frecuencia cardíaca, velocidad cardíaca, velocidad máxima o inclinación máxima, tiempo, peso, altura	Velocidad o elevación	
	TEST DE FITNESS	La cinta Vision ofrece tests de fitness como el protocolo para bomberos de Gerkin, un protocolo desarrollado por el Dr. Richard Gerkin, del cuerpo de bomberos de Phoenix (Arizona). Se trata de una evaluación en cinta de grado submáximo utilizada por muchos cuerpos de bomberos en Estados Unidos para evaluar la condición física de los bomberos. En esta prueba se necesita una supervisión constante de la frecuencia cardíaca del usuario, por lo que se recomienda encarecidamente utilizar una cinta pectoral telemétrica.	No aplicable	No aplicable	No aplicable	



# TABLAS DE LOS PROGRAMAS

## TEST DE FITNESS: GERKIN

Etapa	Tiempo total	Velocidad (mph)	Inclinación %	VO2 máx. previsto (ml/kg/min)	VO2 máx. previsto METS
0 (calentamiento)	1:00	3,0	0	13,3	3,3
	2:00	3,0	0	13,3	3,3
	3:00	3,0	0	13,3	3,3
1	3:30	4,5	0	15,3	4,4
	4:00	4,5	0	17,4	5,0
2	4:30	4,5	2	19,4	5,5
	5:00	4,5	2	21,5	6,1
3	5:30	5,0	2	23,6	6,7
	6:00	5,0	2	27,6	7,9
4	6:30	5,0	4	28,7	8,2
	7:00	5,0	4	29,8	8,5
5	7:30	5,5	4	31,2	8,9
	8:00	5,5	4	32,7	9,3
6	8:30	5,5	6	33,9	9,7
	9:00	5,5	6	35,1	10,0
7	9:30	6,0	6	36,6	10,5
	10:00	6,0	6	38,2	10,9
8	10:30	6,0	8	39,5	11,3
	11:00	6,0	8	40,9	11,6
9	11:30	6,5	8	42,6	12,2
	12:00	6,5	8	44,3	12,7
10	12:30	6,5	10	45,7	13,1
	13:00	6,5	10	47,2	13,5
11	13:30	7,0	10	49,0	14,0
	14:00	7,0	10	50,8	14,5
12	14:30	7,0	12	52,3	14,9
	15:00	7,0	12	53,9	15,4
13	15:30	7,5	12	55,8	15,9
	16:00	7,5	12	57,8	16,5
14	16:30	7,5	14	59,5	17,0
	17:00	7,5	14	61,2	17,5
15	17:30	8,0	14	63,2	18,1
	18:00	8,0	14	65,3	18,7

VO2 máx. (ml/kg/min)		MUJERES				HOMBRES			
RESULTADO DEL TEST	PERCENTIL	20-29	30-39	40-49	50-59	20-29	30-39	40-49	50-59
<b>SUPERIOR</b>	99	>53,0	>48,7	>46,8	>42,0	>58,8	>58,9	>55,4	>52,5
	95	46,8	43,9	41,0	36,8	54,0	52,5	50,4	47,1
<b>EXCELENTE</b>	90	44,2	41,0	39,5	35,2	51,4	50,3	48,2	45,3
	80	41,0	38,6	36,3	32,3	48,2	46,8	44,1	41,0
<b>BUENO</b>	70	38,1	36,7	33,8	30,9	46,8	44,6	41,8	38,5
	60	36,7	34,6	32,3	29,4	44,2	42,4	39,9	36,7
<b>CORRECTO</b>	50	35,2	33,8	30,9	28,2	42,5	41,0	38,1	35,2
	40	33,8	32,3	29,5	26,9	41,0	38,9	36,7	33,8
<b>MALO</b>	30	32,3	30,5	28,3	25,5	39,5	37,4	35,1	32,3
	20	30,6	28,7	26,5	24,3	37,1	35,4	33,0	30,2
<b>MUY MALO</b>	10	28,3	26,5	25,1	22,3	34,5	32,5	30,9	28,0
	5	25,9	25,1	23,5	21,1	31,6	30,9	28,3	25,1

### 1. Durante la prueba

**1.1** Cuando se pulsa el botón PARAR, el instrumento finalizará la prueba e indicará «TEST FINALIZADO».

**1.2** Cuando HR (frecuencia cardíaca) > THR (frecuencia cardíaca total) es mayor a 15 segundos o se completan los test de 18 minutos, el equipo entrará en estado «ENFRIAMIENTO» para finalizar todas las acciones de la prueba y mostrar sus resultados.

**1.3** Una vez terminado el CALENTAMIENTO, si no se detecta la frecuencia cardíaca, el instrumento indicará «PÉRDIDA DE FRECUENCIA CARDÍACA EN LOS SENSORES DEL PUÑO». Si al cabo de 20 segundos sigue sin detectarse la frecuencia cardíaca, el equipo finalizará el test, entrará en estado de ENFRIAMIENTO y, a continuación, indicará «TEST FINALIZADO».

### 2. Resultados totales:

Tiempo total / Calorías / Número de etapa / Nivel de prueba

### 3. THR = (220 - EDAD) x 0,85

## INTERVALOS

SEGMENTO	1	2	3	4	5	6	7	8	9	10	11	12	13	14
<b>NIVEL</b>	<b>INCLINACIÓN</b>													
L1	1	1	2	1	2	1	3	1	2	1	2	1	1	1
L2	1	2	3	1	3	1	3	1	3	1	3	2	1	1
L3	1	2	3	1	3	1	4	1	3	1	3	2	1	1
L4	1	3	4	1	4	1	5	1	4	1	4	3	1	1
L5	2	3	5	2	5	2	5	2	5	2	5	3	2	2
L6	2	4	5	2	5	2	6	2	5	2	5	4	2	2
L7	2	4	6	2	6	2	7	2	6	2	6	4	2	2
L8	3	5	7	3	7	3	8	3	7	3	7	5	3	3
L9	3	5	8	3	8	3	9	3	8	3	8	5	3	3
L10	3	6	9	3	9	3	10	3	9	3	9	6	3	3

La información del mapa del programa aleatorio procede de la tabla de intervalos.



## PRIMEROS PASOS

- 1) Compruebe que no haya objetos en la cinta que obstaculicen su movimiento.
- 2) Conecte el cable de alimentación y encienda la cinta
- 3) Apóyese en las barras laterales de la cinta.
- 4) Fije la presilla de la llave de seguridad a su ropa y asegúrese de que no se cae durante el funcionamiento.

### A) INICIO RÁPIDO

Pulse ► para empezar a hacer ejercicio. El tiempo empezará a contar desde 0:00. El entrenamiento empezará con una velocidad y una inclinación mínimas.

### B) SELECCIONE UN PROGRAMA

- 1) Seleccione un programa utilizando las **TECLAS DE PROGRAMA** y pulse ✓.
- 2) Siga las indicaciones del **CENTRO DE INSTRUCCIONES** para definir la información del programa de entrenamiento utilizando ▲▼ o el **TECLADO NUMÉRICO**. Pulse ✓ después de cada selección.
- 3) Pulse ► para empezar el entrenamiento.

NOTA: Puede ajustar los niveles de inclinación y velocidad durante el entrenamiento.

### C) FINALIZACIÓN DEL ENTRENAMIENTO

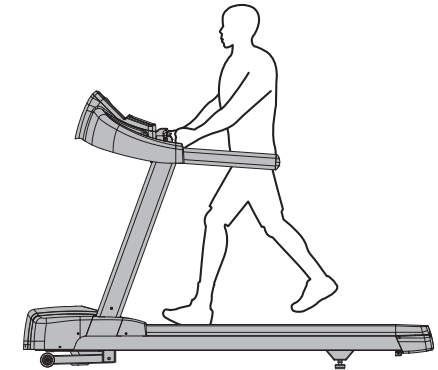
Una vez terminado su entrenamiento, aparecerá la información relacionada en la consola.

### PARA BORRAR LA SELECCIÓN ACTUAL

Para borrar la pantalla o la selección del programa actual, mantenga pulsado el botón de **PARADA** ■ durante 3 segundos.

## USO CORRECTO

Coloque los pies en la correa, doble ligeramente los brazos y agarre los sensores de la frecuencia cardíaca (tal y como se muestra en la imagen). Durante la carrera, los pies deben situarse en el centro de la cinta para que las manos puedan balancearse de manera natural y sin tocar las agarraderas delanteras.



La cinta puede alcanzar grandes velocidades. Empiece siempre con una velocidad más baja y ajústela en pequeños incrementos para alcanzar un mayor nivel de velocidad.

No deje nunca la cinta sin supervisión mientras se encuentre en marcha. Cuando no se esté utilizando, apague el interruptor de encendido/apagado y desconecte el cable de alimentación. Asegúrese de seguir el plan de **MANTENIMIENTO** de esta guía para mantener un rendimiento óptimo y evitar fallos eléctricos prematuros. Mantenga el cuerpo y la cabeza mirando hacia delante. No intente darse la vuelta ni mirar hacia atrás mientras la cinta esté en funcionamiento. Si siente algún dolor, mareo, debilidad o nota que le falta el aire, detenga el entrenamiento de inmediato.



## ANTES DE COMENZAR

### UBICACIÓN DE LA CINTA

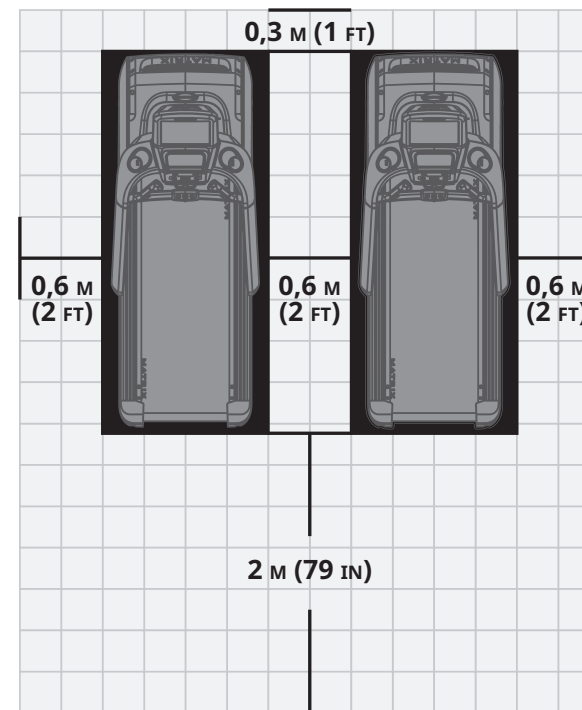
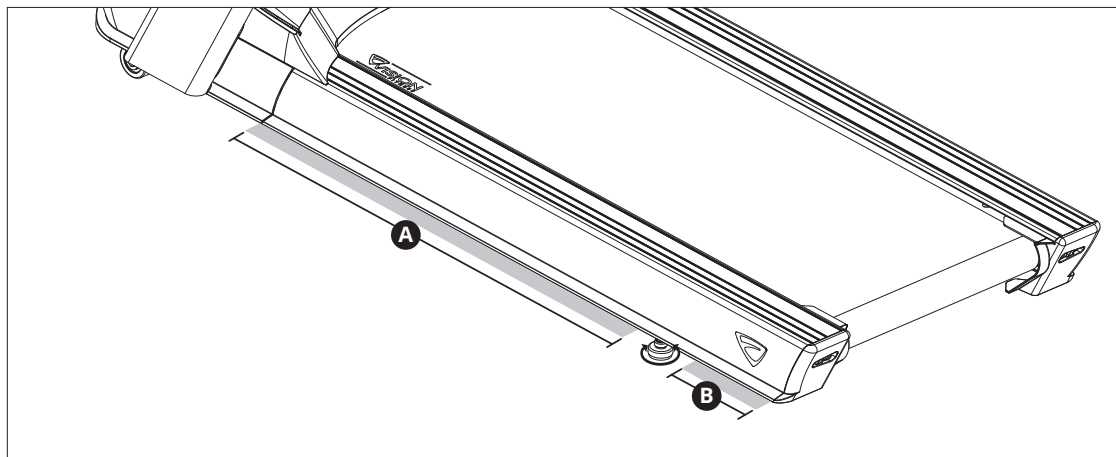
Coloque el equipo sobre una superficie estable y nivelada que no esté expuesta a la luz directa del sol. La luz ultravioleta intensa puede provocar que el plástico se decolore. Coloque el equipo en una zona con temperaturas frescas y bajos niveles de humedad. Deje un espacio libre por detrás de la cinta que tenga, como mínimo, la anchura de la cinta y 2 metros (79 in) de largo. Esta zona debe quedar libre de cualquier obstáculo y permitir al usuario bajarse del aparato. Para un acceso más sencillo, deberá dejarse un espacio accesible a ambos lados de la cinta de, como mínimo, 0,6 m (24 in) para que los usuarios puedan acceder a la cinta por ambos lados. No coloque la cinta en un lugar donde bloquee una rejilla de ventilación o una salida de aire. La cinta no se debe instalar en garajes, patios cubiertos, cerca de agua ni al aire libre.

### NIVELAR LA CINTA

Es de vital importancia que los niveladores estén ajustados de forma correcta para que la máquina funcione adecuadamente. Gire el pie de nivelación hacia la derecha para bajar la cinta y hacia la izquierda para subirla. Ajuste los dos lados según sea necesario hasta que la cinta esté nivelada. Si el equipo no está equilibrado, pueden producirse problemas, como la desalineación de la correa, entre otros. Se recomienda emplear un nivel.

### MOVER LA CINTA

Para no dañar las piezas al mover la cinta, levántela solo desde la zona **A** o **B**, tal y como se muestra en la imagen.



### ADVERTENCIA

Nuestro equipo es pesado, de modo que debe tener cuidado a la hora de moverlo y pedir ayuda si es necesario. Si no sigue estas instrucciones, podría sufrir lesiones. No use el equipo si algún cable o enchufe se encuentra dañado, si no funciona correctamente, si se ha estropeado o si se ha sumergido en agua. Contacte con el soporte técnico al cliente para revisiones y reparaciones.





## TENSAR LA CINTA DE CORRER

Después de colocar la cinta en la posición en la que se va a utilizar, deberá revisarse la correa para comprobar que se encuentra bien centrada y tensada. Después de las dos primeras horas de uso, puede que sea necesario ajustar la correa. La temperatura, la humedad y el uso pueden provocar un estiramiento de la correa con diferentes velocidades. En caso de que la correa empiece a desplazarse cuando haya un usuario subido, siga las instrucciones que se indican a continuación.

- 1) Localice los dos pernos de cabeza hexagonal en la parte trasera de la cinta. Los pernos están situados en cada extremo del bastidor, en la parte trasera de la cinta. Estos pernos sirven para ajustar el rodillo de la correa trasera. No los ajuste hasta que la cinta esté encendida. De este modo se evitan los aprietes excesivos en un lado.
- 2) La correa debe tener la misma distancia a ambos lados del marco. En caso de que la correa toque un lado, no ponga en marcha la cinta. Gire los pernos hacia la izquierda aproximadamente un giro completo en cada lado. Centre de forma manual la correa empujándola de un lado a otro hasta que quede en paralelo con las barras laterales. Apriete los pernos del mismo modo que cuando los soltó, aproximadamente una vuelta completa. Inspeccione la correa para comprobar que no presente daños.
- 3) Ponga en marcha la cinta de correr pulsando el botón EMPEZAR. Aumente la velocidad hasta ~4,8 km/h (3 mph) y observe la posición de la cinta. Si se mueve hacia la derecha, apriete el perno derecho girándolo hacia la derecha  $\frac{1}{4}$  de giro y afloje el perno izquierdo  $\frac{1}{4}$  de giro. Si se mueve hacia la izquierda, apriete el perno izquierdo girándolo hacia la derecha  $\frac{1}{4}$  de giro y afloje el derecho  $\frac{1}{4}$  de giro. Repita el paso 3 hasta que la cinta se mantenga centrada durante varios minutos.
- 4) Compruebe la tensión de la correa. La correa debe estar muy ceñida. Cuando el usuario camina o corre en la cinta, no debe presentar un comportamiento errático ni deslizarse. En caso de que esto suceda, apriete la cinta girando los dos pernos hacia la derecha  $\frac{1}{4}$  de giro. De ser necesario, repita este paso.

**NOTA:** Utilice la banda naranja en la posición lateral de las barras laterales como criterio para confirmar que la correa está centrada correctamente. Es necesario ajustar la correa hasta que su borde esté en paralelo con la tira naranja o blanca.

## ADVERTENCIA

Durante el centrado, no ponga en marcha la cinta a más de ~4,8 km/h (3 mph). Mantenga en todo momento los dedos, el pelo y la ropa alejados de la correa.

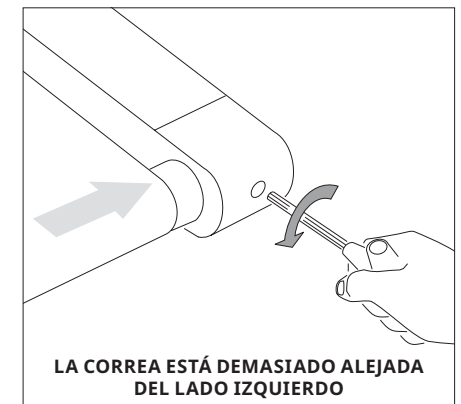
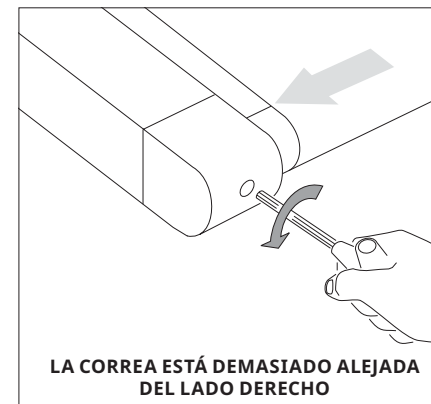
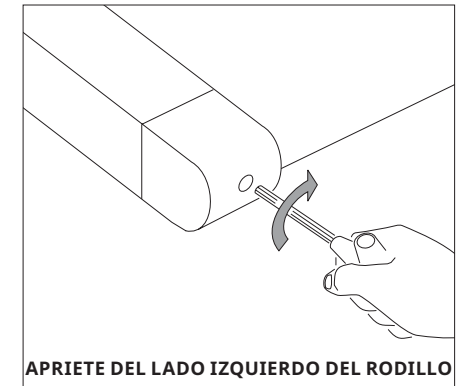
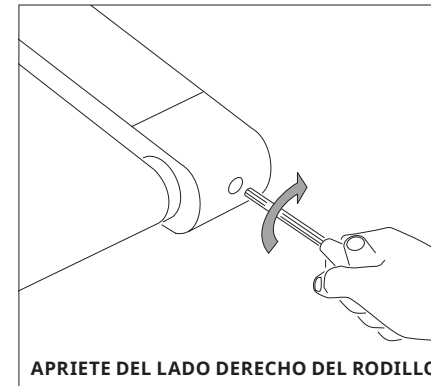
En las cintas equipadas con pasamanos laterales y una agarradera frontal para el apoyo del usuario y un desmontaje de emergencia, pulse el botón de emergencia para detener el equipo y desmontarlo.

## ANTES DE USAR LA CINTA

Realice la configuración inicial y calibre la cinta utilizando la opción de calibración automática que encontrará en el «modo administrador» o en el «modo ingeniero».

### NOTAS:

- NO se suba a la cinta mientras se esté ejecutando la secuencia de autocalibración.
- NO ajuste la inclinación hasta terminar la configuración inicial y la autocalibración.
- Mientras se tensa la correa de funcionamiento, NO ponga en marcha la cinta de correr ni pulse los botones de velocidad hasta que se le indique.



# PRECAUCIÓN

## RIESGO DE LESIONES A LAS PERSONAS

Mientras se prepara para utilizar la cinta, no se suba encima. Antes de poner en marcha la cinta, coloque los pies en las barras laterales. Empiece a caminar en la cinta únicamente después de que esta se haya empezado a mover. No ponga nunca en marcha la cinta a una velocidad de funcionamiento rápida e intente subirse en ella. En caso de emergencia, coloque ambas manos en los apoyos laterales para los brazos para agarrarse y coloque los pies en las barras laterales.

## USO DE LA LLAVE DE SEGURIDAD

La cinta no se pondrá en marcha a menos que se restablezca el botón de parada de emergencia. Enganche el extremo de la presilla a su ropa. Esta llave de seguridad ha sido diseñada para cortar la alimentación de la cinta en caso de caída. El funcionamiento de la llave de seguridad deberá comprobarse cada 2 semanas.

## ADVERTENCIA

No utilice nunca la cinta sin enganchar la presilla de la llave de seguridad a la ropa. Primero, tire de la presilla de la llave de seguridad para comprobar que no se suelte de la ropa.

La dirección de retroceso de la cinta únicamente se debe accionar en un entorno supervisado. La máxima velocidad por defecto de la cinta son 2 mph y solo la deberá cambiar un técnico autorizado.

La cinta puede alcanzar grandes velocidades. Empiece siempre con una velocidad más baja y ajústela en pequeños incrementos para alcanzar un mayor nivel de velocidad. No deje nunca la cinta sin supervisión mientras se encuentre en marcha. Cuando no se esté utilizando, apague el interruptor de encendido/apagado y desconecte el cable de alimentación. Asegúrese de seguir el plan de MANTENIMIENTO de esta guía para mantener un rendimiento óptimo y evitar fallos eléctricos prematuros. Mantenga el cuerpo y la cabeza mirando hacia delante. No intente darse la vuelta ni mirar hacia atrás mientras la cinta esté en funcionamiento. Si siente algún dolor, mareo, debilidad o nota que le falta el aire, detenga el entrenamiento de inmediato.

# USO DE LA FUNCIÓN DE FRECUENCIA CARDÍACA

La función de frecuencia cardíaca de este producto no constituye un dispositivo médico. Si bien los puños medidores del ritmo cardíaco pueden estimar la frecuencia real de sus latidos, no debe fiarse de esta información si necesita mediciones precisas. Algunas personas, como aquellas sometidas a programas de rehabilitación cardíaca, pueden beneficiarse del uso de otros sistemas de control de la frecuencia cardíaca, como un brazaletes o una cinta para el pecho. Existen varios factores que pueden afectar a la precisión de la medición de la frecuencia cardíaca, como el movimiento del usuario. La medición de la frecuencia cardíaca solo está prevista como ayuda para el ejercicio, a fin de determinar tendencias generales de frecuencia cardíaca. Consulte a su médico.

## PUÑOS MEDIDORES DEL PULSO

Coloque las palmas de las manos directamente sobre los puños medidores del pulso. Para que se detecte la frecuencia cardíaca, ambas manos deberán agarrar los sensores. Para que se detecte la frecuencia cardíaca, el equipo debe registrar 5 latidos consecutivos (de 15 a 20 segundos). No agarre los puños medidores del pulso con fuerza, ya que ello puede aumentar la presión arterial. Agárrelos con las manos relajadas y huecas. Si se pasa mucho tiempo agarrando los puños, puede producirse una medición irregular. Limpie los sensores de pulso para garantizar que se pueda mantener un buen contacto. Los puños medidores del pulso están diseñados únicamente para la detección del pulso.

## ADVERTENCIA

Los sistemas de control de la frecuencia cardíaca pueden ser imprecisos. El ejercicio excesivo puede producir lesiones graves o la muerte. Si se nota mareado, pare de hacer ejercicio de inmediato.

# ESPECIFICACIONES DEL PRODUCTO

Peso máx. usuario	182 kg / 400 lb
Peso del producto	178 kg / 392 lb
Peso de envío	210 kg / 462 lb
Medidas generales (largo x ancho x alto)	215 x 91 x 154 cm / 85 in x 36 in x 61 in

\* Asegúrese de dejar una distancia mínima de acceso y paso de 0,6 m (24 in) alrededor del equipo VISION. Tenga en cuenta que la distancia de paso recomendada por la ley sobre personas con discapacidad de los Estados Unidos (ADA, por sus siglas en inglés) para las personas que utilizan silla de ruedas es de 0,91 metros (36 in).





## MANTENIMIENTO

Las tareas de retirada y sustitución de cualquier pieza debe realizarlas un técnico de mantenimiento cualificado.

- 1) NUNCA utilice un equipo que esté dañado o tenga piezas desgastadas o rotas. Utilice solo piezas de repuesto suministradas por el distribuidor local de VISION en su país.
- 2) CONSERVE LAS ETIQUETAS Y LAS PLACAS DE IDENTIFICACIÓN: no quite las etiquetas en ningún caso. Contienen información importante. En caso de que falten o no se puedan leer, póngase en contacto con el distribuidor de VISION para obtener repuestos.
- 3) REALICE EL MANTENIMIENTO DE TODO EL EQUIPO: el mantenimiento preventivo es esencial para que el equipo funcione correctamente, así como para reducir al mínimo los inconvenientes. El equipo se debe someter a una inspección de forma periódica.
- 4) Asegúrese de que todas las personas que realizan ajustes o efectúan tareas de mantenimiento o reparación de cualquier tipo en la unidad estén cualificadas para ello. Previa solicitud, los distribuidores de VISION ofrecerán en nuestras instalaciones cursos de formación sobre mantenimiento.

### ADVERTENCIA

Para desconectar la alimentación de la cinta, deberá desenchufarse el cable de alimentación de la toma de corriente de la pared.

### CONSEJOS DE LIMPIEZA RECOMENDADOS

El mantenimiento preventivo y la limpieza diaria prolongarán la duración y el aspecto del equipo.

- 1) Utilice un paño de algodón suave y limpio. NO utilice toallas de papel para limpiar las superficies de la cinta. Las toallas de papel son abrasivas y pueden dañar las superficies.
- 2) Utilice un jabón suave y un paño húmedo. NO utilice un limpiador con base de amoníaco ni alcohol. Esto provocará la decoloración del aluminio y los plásticos en cuanto entre en contacto con ellos.
- 3) No vierta agua ni ninguna solución de limpieza sobre las superficies, ya que podría electrocutarse.
- 4) Limpie la consola, el puño de la frecuencia cardíaca, las agarraderas y las barandillas laterales después de cada uso.
- 5) Limpie todos los depósitos de cera de la zona de la plataforma y la cinta. Esto sucede normalmente hasta que la cera penetra en el material de la cinta.
- 6) Asegúrese de eliminar todas las obstrucciones de la ruta de las ruedas de elevación, incluidos los cables de alimentación.

Para limpiar las pantallas táctiles, utilice agua destilada en una botella con pulverizador. Pulverice agua destilada en un paño suave, limpio y seco y limpie la pantalla hasta que esté limpia y seca. Para las pantallas muy sucias, se recomienda añadir vinagre.

### PRECAUCIÓN

Para evitar lesiones o daños en la cinta, asegúrese de contar con la asistencia adecuada para instalar y mover la unidad.

### PLAN DE MANTENIMIENTO

ACCIÓN	FRECUENCIA
Desenchufe el equipo. Limpie toda la máquina con agua y un jabón suave, o bien con cualquier otro producto autorizado (los productos de limpieza no deben contener ni alcohol ni amoníaco).	DIARIA
Inspeccione el cable de alimentación. Si el cable de alimentación está dañado, póngase en contacto con el servicio de asistencia técnica.	DIARIA
Compruebe que el cable de alimentación no esté debajo de la unidad ni en ninguna otra zona donde pueda aplastarse o cortarse durante el almacenamiento o el uso.	DIARIA
Desenchufe la cinta y quite la cubierta del motor. Compruebe si existen residuos y límpielos con un paño seco o con una aspiradora con una boquilla pequeña. <b>ADVERTENCIA:</b> No enchufe la cinta hasta que se haya vuelto a instalar la cubierta del motor.	MENSUAL
Para las consolas de pantalla táctil, acceda al modo de servicio y seleccione «prueba». Seleccione «calibración táctil» y, a continuación, «iniciar». Siga las instrucciones de la pantalla y pulse cuando se le indique.	CADA TRES MESES
Limpie los sensores IR (situados en los postes de la consola) con un bastoncillo empapado en alcohol.	CADA TRES MESES

### SUSTITUCIÓN DE LA PLATAFORMA Y LA CINTA

Uno de los elementos que más se desgastan en una cinta es el conjunto de plataforma y cinta. Si no se realiza un mantenimiento adecuado de estos dos artículos, podrían dañarse otros componentes. Este producto se suministra con el sistema de lubricación sin mantenimiento más avanzado del mercado.

### ADVERTENCIA

No ponga en marcha la cinta mientras limpia la correa y la plataforma. Esto podría provocar lesiones graves y daños en la máquina. El mantenimiento de la correa y la plataforma se lleva a cabo limpiando los laterales de la plataforma y la correa con un paño limpio. El usuario también puede limpiar una superficie de ~51 mm (2 in) aproximadamente por debajo de la correa a ambos lados para eliminar el polvo o la suciedad. Un técnico de mantenimiento autorizado puede dar la vuelta a la plataforma y volver a instalarla o sustituirla. Para obtener más información, póngase en contacto con Vision Fitness Systems.



POLSKI



# ISTOTNE ŚRODKI OSTROŻNOŚCI

## ZACHOWAĆ NINIEJSZĄ INSTRUKCJĘ

- Podczas korzystania z bieżni należy zawsze przestrzegać podstawowych środków ostrożności, co obejmuje między innymi następujące kwestie: przed użyciem urządzenia należy przeczytać wszystkie instrukcje. Obowiązkiem właściciela jest zapewnienie, że wszyscy użytkownicy tego urządzenia są odpowiednio poinformowani o wszystkich ostrzeżeniach i środkach ostrożności.
- Urządzenie jest przeznaczone do użytku komercyjnego. W celu zapewnienia bezpieczeństwa i ochrony urządzenia należy przeczytać wszystkie instrukcje przed rozpoczęciem użytkowania.

## NIEBEZPIECZEŃSTWO!

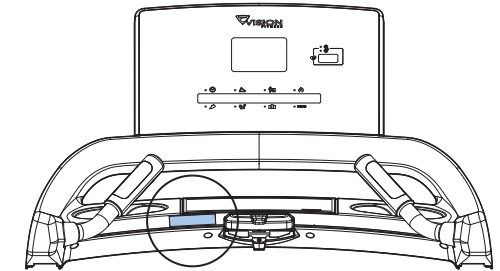
### ABY ZMNIJSZYĆ RYZYKO PORAŻENIA PRĄDEM ELEKTRYCZNYM:

- Zawsze należy odłączyć urządzenie od gniazdka elektrycznego zaraz po użyciu i przed czyszczeniem, konserwacją i montażem lub demontażem części.

## OSTRZEŻENIE!

### W CELU ZMNIJSZENIA RYZYKA OPARZEŃ, POŻARU, PORAŻENIA PRĄDEM ELEKTRYCZNYM LUB OBRAŻEŃ CIAŁA:

- Nieprawidłowe lub zbyt forsujące ćwiczenia mogą spowodować obrażenia ciała. W przypadku wystąpienia bólu, w tym między innymi bólu w klatce piersiowej, nudności, zawrotów głowy lub duszności, należy natychmiast przerwać ćwiczenia i skonsultować się z lekarzem przed kontynuacją ćwiczeń.
- Podczas ćwiczeń zawsze utrzymywać komfortowe tempo.
- Nie wolno nosić ubrań, które mogłyby się zaczepić o dowolną część bieżni.
- Użytkownicy muszą nosić odpowiednie obuwie (tj. sportowe) podczas korzystania z urządzenia do ćwiczeń.
- Nie skakać na bieżni.
- Podczas eksploatacji bieżni nie powinna znajdować się na niej więcej niż jedna osoba.
- Osoby o wadze przekraczającej wagę maksymalną określoną w części dotyczącej SPECYFIKACJI W INSTRUKCJI OBSŁUGI nie mogą używać bieżni. Niezastosowanie się do tego wymogu powoduje utratę gwarancji.
- Przed przystąpieniem do serwisowania lub przenoszenia urządzenia należy odłączyć je od zasilania.
- W ramach czyszczenia powierzchni należy przetrzeć tylko mydłem i lekko zwilżoną ściereczką; nigdy nie używać rozpuszczalników. (Patrz KONSERWACJA)
- Urządzenie należy odłączyć od zasilania, kiedy nie jest używane, oraz podczas montażu i demontażu części.
- Należy podłączyć sprzęt do ćwiczeń tylko do prawidłowo uziemionego gniazdka.
- Nie usuwać osłon ochronnych bez otrzymania instrukcji od specjalisty i lokalnego sprzedawcy. Prace serwisowe mogą być wykonywane wyłącznie przez autoryzowanego technika.
- Instalacja części lub akcesoriów nieprzeznaczonych do użycia ze sprzętem w takim stanie, w jakim został sprzedany, lub niekompatybilnych z tymże sprzętem spowoduje utratę gwarancji i może wpłynąć na jego bezpieczeństwo.
- W pomiarze na wysokości głowy osoby o typowym wzroście poziom ciśnienia dźwięku z korekcją A, kiedy pas bieżni porusza się z prędkością 12 km/h (bez obciążenia), nie przekracza 70 dB.
- Poziom hałasu emitowanego przez obciążone urządzenie jest wyższy od poziomu emitowanego przez urządzenie nieobciążone.
- Zwierzęta domowe i dzieci poniżej 14. roku życia mogą zbliżyć się do bieżni na odległość nie mniejszą niż 10 stóp.
- Dzieci poniżej 14. roku życia NIE mogą pod żadnym pozorem korzystać z bieżni.
- Dzieci powyżej 14. roku życia nie powinny korzystać z bieżni bez nadzoru osoby dorosłej.
- Niniejszy sprzęt nie jest przeznaczony do użytku przez osoby o obniżonych zdolnościach fizycznych, sensorycznych lub umysłowych lub nieposiadające odpowiedniego doświadczenia i wiedzy, chyba że zostały one objęte nadzorem lub poinstruowane w zakresie użytkowania urządzenia przez osobę odpowiedzialną za ich bezpieczeństwo.
- Bieżni należy używać zgodnie z jej przeznaczeniem, w sposób opisany w instrukcji obsługi.
- Nie wolno używać bieżni, jeżeli ma uszkodzony przewód lub wtyczkę, nie działa prawidłowo lub została upuszczona, uszkodzona bądź zanurzona w wodzie. W celu sprawdzenia lub naprawy należy skontaktować się z działem pomocy technicznej dla klientów.
- Aby uniknąć ryzyka porażenia prądem, urządzenie może być podłączone wyłącznie do obwodu z niepodłączonym do pętli (izolowanym) przewodem uziemiacym.
- Przewód zasilający należy trzymać z dala od rozgrzanych powierzchni. Nie należy przenosić urządzenia za przewód zasilający ani wykorzystywać go jako uchwytu.
- Nigdy nie należy korzystać z bieżni, gdy otwór wentylacyjny jest zablokowany. Otwór wentylacyjny powinien być czysty, wolny od zanieczyszczeń, włosów itp.
- Aby zapobiec porażeniu prądem elektrycznym, nigdy nie należy wrzucać ani wkładać żadnych przedmiotów do żadnego otworu.
- Nie używać w miejscach, w których używane są produkty aerozolowe (spray) lub w których podawany jest tlen.
- Aby odłączyć urządzenie od zasilania, należy wyłączyć wszystkie elementy sterujące, a następnie wyjąć wtyczkę z gniazdka.
- Nie korzystać z bieżni w miejscu, w którym nie jest kontrolowana temperatura, w tym m.in. w garażach, na gankach, w pomieszczeniach z basenami, łazienkach, portach samochodowych czy na zewnątrz. Niezastosowanie się do tego wymogu może spowodować utratę gwarancji.
- TYLKO wykwalifikowany technik serwisowy powinien zdejmować ochronne panele dostępu. Po ponownym założeniu paneli dostępu sprawdzić, czy zamontowano poprawnie wszystkie elementy mocujące.
- Aby uniknąć obrażeń, przed uruchomieniem bieżni stanąć na bocznych panelach.
- Systemy monitorowania tętna mogą być niedokładne.
- Nadmierne ćwiczenia mogą spowodować poważne obrażenia ciała lub śmierć.
- W przypadku złego samopoczucia należy natychmiast przerwać ćwiczenia.
- Aby uniknąć podłączenia niewłaściwego przewodu zasilającego do gniazda zasilania, po podłączeniu przewodu do urządzenia zainstalować element mocujący.



TUTAJ UMIEŚCIĆ ETYKIETĘ  
OSTRZEGAWCZĄ

## PRZESTROGA!

### PRZED UŻYCIEM URZĄDZENIA NALEŻY SKONSULTOWAĆ SIĘ Z LEKARZEM. PRZED UŻYCIEM NALEŻY PRZECZYTAĆ INSTRUKCJĘ OBSŁUGI.

- Istotne jest, aby urządzenie było używane tylko we wnętrzu, w klimatyzowanym pomieszczeniu. Jeśli urządzenie zostało wystawione na działanie niższych temperatur lub otoczenia o wysokiej wilgotności, zdecydowanie zaleca się, aby przed pierwszym użyciem pozwolić urządzeniu osiągnąć temperaturę pokojową. Niezrobienie tego może przedwcześnie spowodować awarię układu elektronicznego. Prędkość startowa (domyślna) przy uruchomieniu urządzenia wynosi 0,8 km/h (0,5 mili/h). Ustawienie zbyt wysokiej prędkości startowej może być niebezpieczne.



# WYMAGANE ZASILANIE

## OBWÓD SPECJALNY ORAZ INFORMACJE ELEKTRYCZNE

„Obwód specjalny” oznacza, że na tym samym obwodzie, do którego za pośrednictwem gniazda podłączone jest urządzenie, nie może pracować żaden inny sprzęt. Najprostszym sposobem sprawdzenia spełnienia tego wymogu jest zlokalizowanie skrzynki wyłączników instalacyjnych i wyłączanie ich pojedynczo. Po wyłączeniu danego wyłącznika tylko odnośne urządzenia nie powinny mieć wówczas zasilania. Żadne lampy, automaty sprzedające, wentylatory, systemy dźwiękowe ani żaden inny element nie powinien tracić zasilania podczas wykonywania tego testu. Niepodłączony do pętli (izolowany) przewód neutralny/uziemiający oznacza, że każdy obwód musi posiadać wyprowadzone z niego osobne połączenie neutralne/uziemiające zakończone połączeniem do zatwierdzonego uziemienia. Nie można „zwierać” pojedynczego przewodu neutralnego/uziemiającego jednego obwodu z drugim obwodem.

## WYMAGANIA ELEKTRYCZNE

Aby zapewnić bezpieczeństwo użytkownika i prawidłowe działanie bieżni, uziemienie w tym obwodzie nie może być podłączone do pętli (musi być izolowane). Należy zapoznać się z NEC art. 210-21 i 210-23. Do bieżni dołączono przewód zasilający z wtyczką określoną poniżej, który wymaga użycia podanego gniazda. Wszelkie zmiany w dostarczonym przewodzie zasilającym mogą unieważnić wszystkie gwarancje na ten produkt.

## URZĄDZENIA O NAPIĘCIU 220 V

Wszystkie bieżnie Vision 220 V do zapewnienia zasilania wymagają zastosowania „obwodu specjalnego” 216–250 V, 50 Hz i 20 A z niepodłączonym do pętli (izolowanym) przewodem neutralnym/uziemiającym. Powinno być to gniazdo NEMA 6-20R i mieć taką samą konfigurację jak wtyczka. Z produktem tym nie należy używać żadnych przejściówek.

## INSTRUKCJE UZIEMIENIA

Sprzęt musi zostać uziemiony. W przypadku awarii lub uszkodzenia uziemienie zapewnia ścieżkę o najmniejszej oporności dla prądu elektrycznego, co zmniejsza ryzyko porażenia prądem. Urządzenie jest wyposażone w przewód uziemiający i wtyczkę uziemiającą. Wtyczkę należy podłączyć do odpowiedniego gniazda, prawidłowo zainstalowanego i uziemionego zgodnie ze wszystkimi lokalnymi przepisami i rozporządzeniami. W przypadku nieprzebrzegania niniejszej instrukcji uziemienia użytkownik może doprowadzić do unieważnienia ograniczonej gwarancji Vision.

## DODATKOWE INFORMACJE ELEKTRYCZNE

Oprócz wymogu stosowania obwodu specjalnego od skrzynki wyłączników instalacyjnych do każdego gniazda, do którego podłączona będzie maksymalna liczba urządzeń, należy poprowadzić przewód o odpowiedniej grubości. Jeśli odległość między skrzynką wyłączników instalacyjnych a każdym gniazdem wynosi 30,5 m (100 ft) lub mniej, należy zastosować przewód 12 AWG. W przypadku odległości większych niż 30,5 m (100 stóp) od skrzynki wyłączników instalacyjnych do gniazda należy zastosować przewód 10 AWG.

## TRYB ENERGOOSZCZĘDNY / NISKIEGO POBORU MOCY

Wszystkie urządzenia są skonfigurowane tak, aby mogły przejść w tryb energooszczędny / niskiego poboru mocy, gdy urządzenie nie było używane przez określony czas. Po przejściu w tryb niskiego poboru mocy pełne ponowne uruchomienie urządzenia może wymagać dodatkowego czasu. Tę funkcję oszczędzania energii można włączyć lub wyłączyć w „trybie kierownika” lub „trybie inżyniera”.

## OSTRZEŻENIE!

Należy podłączyć sprzęt do ćwiczeń tylko do prawidłowo uziemionego gniazda.

- Nie wolno używać produktu, jeśli ma uszkodzony przewód lub wtyczkę, nawet jeżeli pomimo tego działa prawidłowo. Nigdy nie należy używać produktu, który wydaje się uszkodzony lub został zanurzony w wodzie. Należy skontaktować się z działem pomocy technicznej dla klientów w celu dokonania wymiany lub naprawy.

Nieprzebrzeganie tych zaleceń może spowodować uszkodzenie produktu i unieważnienie gwarancji:

- Wszystkie gniazda wideo i zasilania muszą być sprawne w dniu dostawy/montażu produktu. Klient jest odpowiedzialny za wszelkie dodatkowe opłaty instalacyjne związane z ponownym wezwaniem serwisanta.
- Zasilanie elektryczne na danym obszarze może ulegać wahaniom. Aby zapewnić stabilne działanie produktu, należy użyć przewodu o odpowiedniej grubości.

## NIEBEZPIECZEŃSTWO!

Nieprawidłowe podłączenie przewodu uziemiającego urządzenie może spowodować ryzyko porażenia prądem. W przypadku wątpliwości co do prawidłowego uziemienia produktu należy skonsultować się z wykwalifikowanym elektrykiem lub serwisantem. Nie wolno modyfikować wtyczki dostarczonej wraz z produktem. Jeśli nie pasuje do gniazda, należy zlecić montaż odpowiedniego gniazda wykwalifikowanemu elektrykowi.





## MONTAŻ

### ROZPAKOWYWANIE

Rozpakować sprzęt w miejscu, w którym będzie używany. Umieść karton na płaskiej, równej powierzchni. Zaleca się nałożenie maty ochronnej na podłogę. Nigdy nie otwierać opakowania, gdy leży na boku.

### WAŻNE UWAGI

Na każdym etapie montażu należy upewnić się, że WSZYSTKIE nakrętki i śruby są na swoim miejscu i są częściowo dokręcone. Kilka części zostało wstępnie nasmarowanych w celu ułatwienia montażu i użytkowania. Nie należy usuwać tego smaru. W przypadku trudności zaleca się stosowanie niewielkiej ilości smaru litowego.

### OSTRZEŻENIE!

Podczas montażu należy zwrócić szczególną uwagę na kilka aspektów. Bardzo istotne jest prawidłowe stosowanie się do instrukcji montażu i upewnienie się, że wszystkie części są solidnie dokręcone. Jeśli instrukcja montażu nie jest prawidłowo przestrzegana, urządzenie może mieć części, które nie są prawidłowo dokręcone, mogą wydawać się luźne i powodować irytujące dźwięki. Aby zapobiec uszkodzeniu urządzenia, należy sprawdzić instrukcję montażu i zastosować środki naprawcze.

### POTRZEBUJESZ POMOCY?

W razie pytań lub brakujących części należy skontaktować się z działem obsługi technicznej klienta. Informacje kontaktowe znajdują się na stronie [world.visionfitness.com](http://world.visionfitness.com).

### WYMAGANE NARZĘDZIA:

- Klucz typu T 8 mm
- Klucz imbusowy 8 mm
- Klucz imbusowy 6 mm
- Śrubokręt krzyżakowy

### W ZESTAWIE:

- 1 rama podstawy
- 1 zestaw podstawy konsoli
- 1 układ konsoli
- 2 maszty konsoli
- 2 poręcze
- 1 przewód zasilający
- 1 zestaw sprzętu



# 1

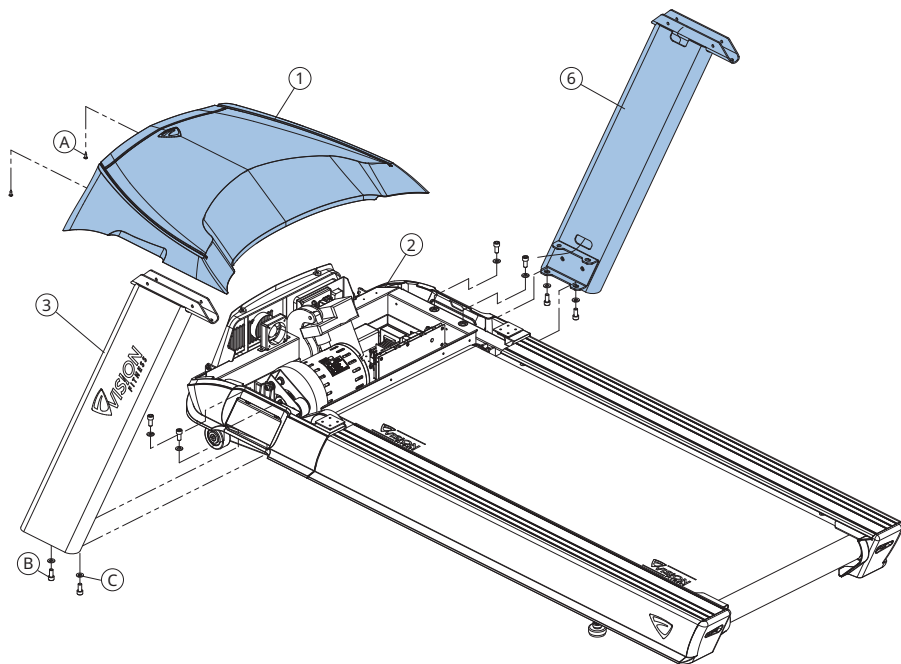
**WAŻNE: Nie dokręcać śrub, dopóki nie zostanie ukończony krok 3.**

- Odkręcić 2 wstępnie zamontowane śruby (A) i zdjąć **OSŁONĘ SILNIKA (1)**.
- Otworzyć **SPRZĘT, ABY ZREALIZOWAĆ KROK 1**.
- Przykręcić **LEWY MASZT KONSOLI (3)** do **RAMY PODSTAWY (2)** **4 ŚRUBAMI (B)** z **4 PŁASKIMI PODKŁADKAMI (C)** od góry i dołu.
- Przykręcić **PRAWY MASZT KONSOLI (6)** do **RAMY PODSTAWY (2)** **4 ŚRUBAMI (B)** i **4 PŁASKIMI PODKŁADKAMI (C)** od góry i dołu.

UWAGA: Przy mocowaniu uchwytu uważać, aby nie przyciąć przewodów.

#### Sprzęt do realizacji kroku 1

Opis	Ilość
A Wstępnie zamontowana śruba	2
B Śruba	8
C Podkładka płaska	8



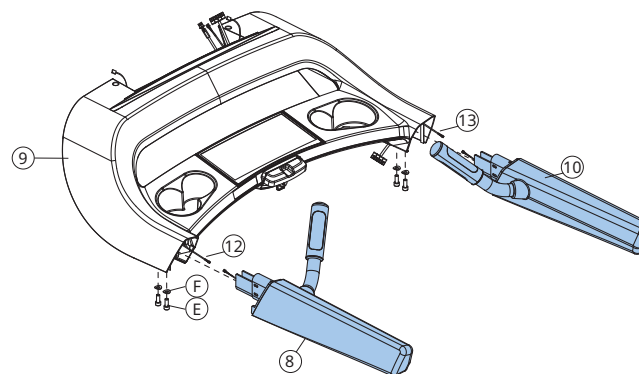
# 2

• Otworzyć **SPRZĘT, ABY ZREALIZOWAĆ KROK 2**.

- Podłączyć **PRZEWÓD UCHWYTU DO POMIARU TĘTNA (12)**, odłożyć na bok wiązkę przewodu oraz umieścić przewody wewnątrz **LEWEJ PORĘCZY (8)** i wsunąć w **PODSTAWĘ KONSOLI (9)**.
- Podłączyć **PRZEWÓD UCHWYTU DO POMIARU TĘTNA (13)**, odłożyć na bok wiązkę przewodu oraz umieścić przewody wewnątrz **PRAWYJ PORĘCZY (10)** i wsunąć w **PODSTAWĘ KONSOLI (9)**.
- Zamocować **PORĘCZE (8 i 10)** do **PODSTAWY KONSOLI (9)** **4 ŚRUBAMI (E)** i **4 PODKŁADKAMI WYGIĘTYMI (F)**.

#### Sprzęt do realizacji kroku 2

Opis	Ilość
E Śruba	4
F Podkładka łukowa	4



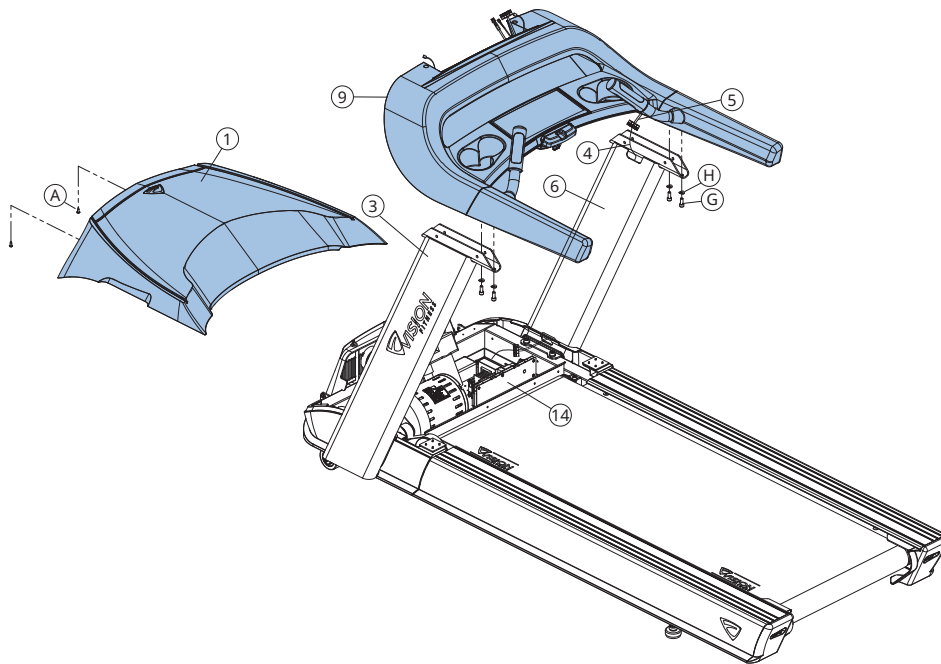
POLSKI

**3**

- Otworzyć **SPRZĘT, ABY ZREALIZOWAĆ KROK 3.**
- Zamocować **PRZEWÓD OŁOWIANY (4)** do **PRZEWÓD KONSOLI (5)** i przeciągnąć przez **PRAWY MASZT KONSOLI (6)**. Kiedy przewód ołowiany zostanie przeciągnięty przez maszt, góra przewodu konsoli powinna być podłączona do **MCB (14)**. Odłączyć przewód ołowiany i odłożyć na bok.
- Zamocować **PODSTAWĘ KONSOLI (9)** do **MASZTÓW KONSOLI (3 i 6)** 4 ŚRUBAMI (**G**) i 4 PŁASKIMI PODKŁADKAMI (**H**).
- Przykręcić wszystkie śruby z kroków 1-3.
- Zainstalować **OSŁONĘ SILNIKA (1)** 2 wstępnie zamontowanymi śrubami (**A**).

**Sprzęt do realizacji kroku 3**

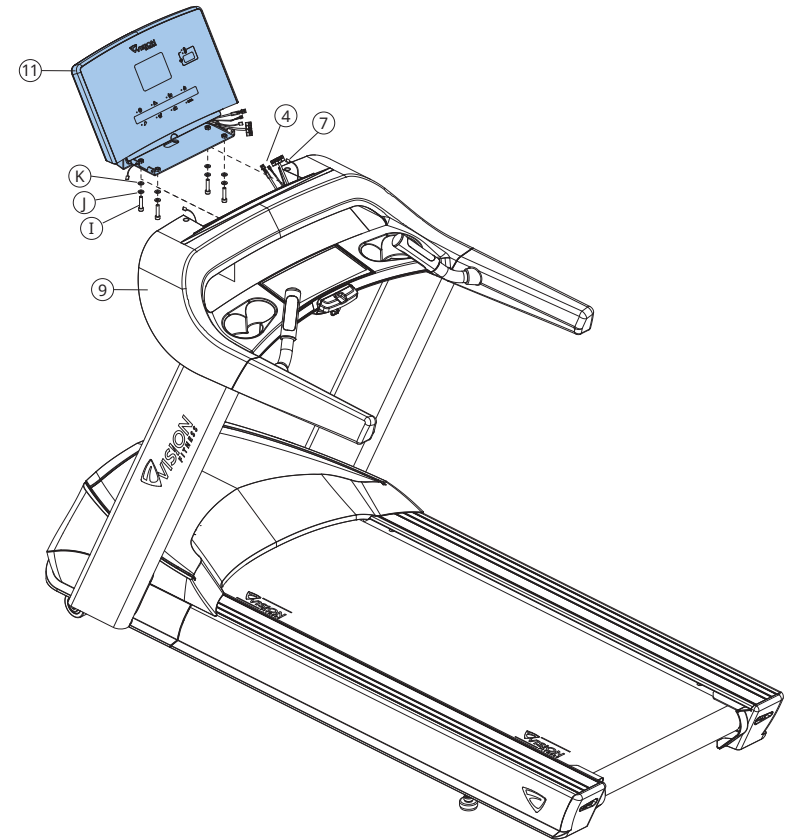
Opis	Ilość
G Śruba	4
H Podkładka łukowa	4

**4**

- Otworzyć **SPRZĘT, ABY ZREALIZOWAĆ KROK 4.**
- Podłączyć **PRZEWODY KONSOLI (4)** i **PRZEWODY DO POMIARU TĘTNA (7)** do **KONSOLI (11)** i ostrożnie umieścić resztę przewodu w **PODSTAWIE KONSOLI (9)**.
- Zamocować **KONSOLĘ (11)** do **PODSTAWY KONSOLI (9)** 4 ŚRUBAMI (**I**) i 4 **PODKŁADKAMI SPRĘŻYSTYMI (J)** oraz 4 **PŁASKIMI PODKŁADKAMI (K)**.

**Sprzęt do realizacji kroku 4**

Opis	Ilość
I Śruba	4
J Podkładka sprężysta	4
K Podkładka płaska	4

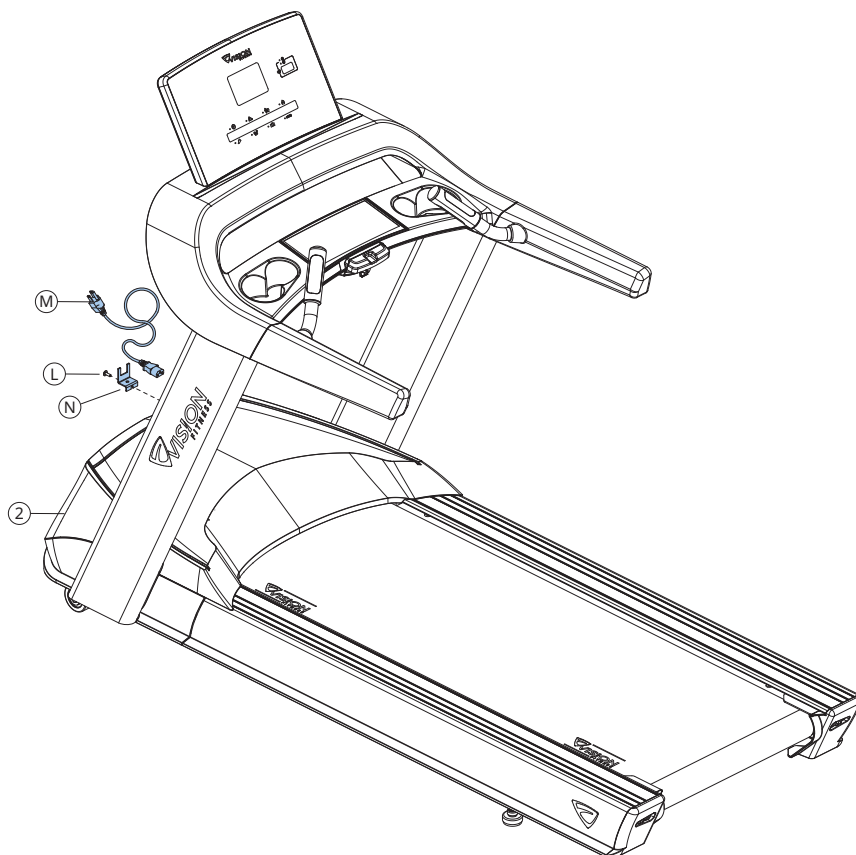


**5**

- Przymocować **PRZEWÓD ZASILAJĄCY (M)** do **RAMY PODSTAWY (2)**.
- Zamocować **PŁYTĘ PODTRZYMUJĄCĄ PRZEWÓD ZASILAJĄCY (N)** do **RAMY PODSTAWY (2)** 1 ŚRUBĄ (L).

**Sprzęt do realizacji kroku 5**

Opis	Ilość
L Śruba	1
M Przewód zasilający	1
N Płyta podtrzymująca przewód zasilający	1

**MONTAŻ UKOŃCZONY!**

POLSKI



## OBSŁUGA KONSOLI

### A OKNO PROFILU PROGRAMU

to profil wykorzystywanego programu (prędkość podczas programów opartych na prędkości oraz nachylenie podczas programów, w których ustawia się nachylenie).

### B CENTRUM TĘTNA

wyświetla podczas treningu tętno rzeczywiste i docelowe. Konsola wyświetla tętno po 15–20 sekundach od kontaktu z czujnikami lub rozpoczęcia korzystania z paska napiersiowego do pomiaru tętna. W programie TARGET HEART RATE (TĘTNO DOCELOWE) wprowadzona wartość tętna będzie wyświetlała się w oknie co 60 sekund.

### C CENTRUM INSTRUKCJI

krok po kroku wyświetla instrukcje ustawiania programu. Podczas treningu wyświetla czas, tempo, nachylenie, odległość, prędkość, poziom, kalorie i parametry MET.

### D KLAWIATURA STEROWANIA

pozwała użytkownikowi na ustawianie programów i kontrolowanie treningów.

#### 1 KLAWIATURA NUMERYCZNA

używana jest do wprowadzania danych programu podczas jego ustawiania. Wcisnąć ✓ w celu potwierdzenia ustawień. Wcisnąć ↵ w celu usunięcia danych jeszcze niewprowadzonych podczas ustawiania treningu.

#### 2 PRĘDKOŚĆ I NACHYLENIE

wykorzystuje się do ▲▼ ustawienia prędkości i nachylenia.

#### 3 GO ▶

Wcisnąć w celu natychmiastowego rozpoczęcia treningu bez konieczności wybierania jego programu.

#### 4 STOP ■

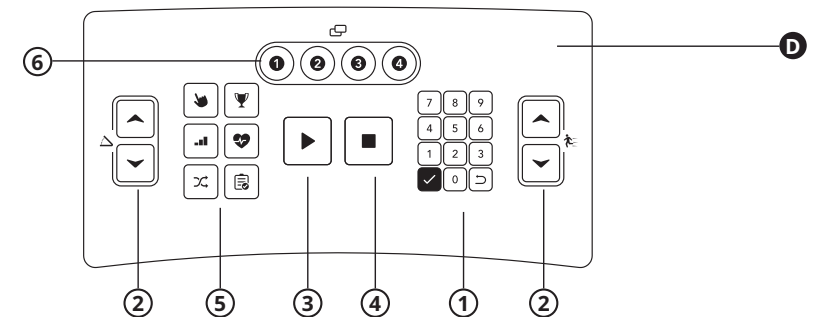
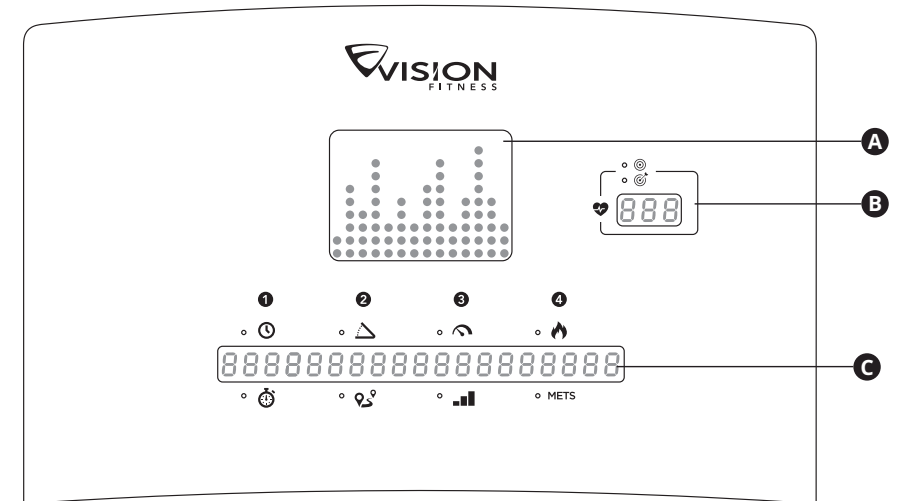
Wcisnąć, aby zatrzymać trening. Nacisnąć i przytrzymać przez 3 sekundy, aby zresetować konsolę.

#### 5 KLAWISZE PROGRAMU

Wcisnąć, aby wybrać program. Aby ustawić dodatkowe programy, wielokrotnie wciskać klawisz, aby ustawić Goal+ i Heart Rate+.

#### 6 ZMIANA EKRANU (1-4) ⏏

Wcisnąć, by zmienić informacje wyświetlane na ekranie podczas treningu.



Dalsze informacje na temat montażu i konsoli znajdują się na stronie internetowej Vision: [world.visionfitness.com](http://world.visionfitness.com)

**UWAGA:** W oknie czasu domyślnie rozpocznie się odliczanie w dół dla całkowitego czasu treningu. Jeśli nie ustawiono czasu treningu, w oknie czasu rozpocznie się odliczanie w górę od 00:00.

## INFORMACJE O PROGRAMIE



PROGRAM		OPIS	CZAS DOMYŚLNY	TREŚĆ POLECENIA	STEROWANIE PROGRAMEM	
	QUICK START	Wciśnięcie Quick Start to najszybszy sposób rozpoczęcia treningu. Pomija polecenia konfiguracji. Po wciśnięciu  rozpoczyna się trening na stałym poziomie, a prędkość i nachylenie nie zmieniają się automatycznie.	N/D	N/D	N/D	
	TRYB RĘCZNY	Trening ustawiony ręcznie to trening wymagający ciągłego wysiłku, w którym użytkownik może w dowolnej chwili zmienić nachylenie lub prędkość.	20:00	Czas, waga	N/D	
	INTERWAŁ	Interwał to regularnie przeplatające się ze sobą intensywne ćwiczenia aerobowe i ćwiczenia o niższej intensywności. W dowolnym momencie treningu użytkownik może zmienić ustawienia bieżącej prędkości.	20:00	Poziom, czas, waga	Wzniesienie	
	GOAL+	CZAS	W tym treningu jako cel ustawia się czas trwania. Kiedy upłynie docelowy czas treningu, rozpoczyna się faza uspokojenia.	20:00	Czas, nachylenie początkowe, prędkość początkowa, waga	N/D
	GOAL+	ODLEGŁOŚĆ	Ten trening ma za zadanie budowanie wytrzymałości na pewnej odległości. Kiedy zostanie zrealizowany cel, automatycznie rozpoczyna się faza uspokojenia, a potem kończy się trening.	N/D	Odległość, nachylenie początkowe, prędkość początkowa, waga	N/D
	GOAL+	KALORIE	Ten trening ma na celu spalenie pewnej liczby kalorii w określonym czasie. Kiedy zostanie zrealizowany cel, automatycznie rozpoczyna się faza uspokojenia, a potem kończy się trening.	N/D	Kalorie, nachylenie początkowe, waga	N/D
	TRYB MIESZANY	Tryb mieszany tworzy przypadkowe wzory ukształtowania terenu: pagórki i doliny, które różnią się w każdym treningu.	20:00	Czas, waga	Wzniesienie	
	HEART RATE+	TĘTNO DOCELOWE	Tętno docelowe to trening o wyższej intensywności dla bardziej wysportowanych użytkowników podkreślający korzyści ćwiczeń wzmacniających układ sercowo-naczyniowy. Użytkownik musi nosić pasek napiersiowy do pomiaru tętna lub stale trzymać dłonie na uchwytach do pomiaru tętna. Program reguluje poziom intensywności w oparciu o rzeczywiste tętno w celu utrzymania tętna na poziomie 80% teoretycznej wartości maksymalnej.	20:00	Wiek, tętno, kontrola tętna, maks. prędkość lub maks. nachylenie, czas, waga	Prędkość lub wzniesienie
	HEART RATE+	UTRATA WAGI	Utrata wagi to trening o niskiej intensywności spalający rezerwy tłuszczu. Użytkownik musi nosić pasek napiersiowy do pomiaru tętna lub stale trzymać dłonie na uchwytach do pomiaru tętna. Program reguluje poziom intensywności w oparciu o rzeczywiste tętno w celu utrzymania tętna na poziomie 65% teoretycznej wartości maksymalnej. Stosować indeks masy ciała (BMI) do pomiaru składu ciała.	20:00	Wiek, tętno, kontrola tętna, maks. prędkość lub maks. nachylenie, czas, waga, wzrost	Prędkość lub wzniesienie
	TEST SPRAWNOŚCI	Bieżnia Vision oferuje testy sprawności – tzw. protokół strażaków Gerkin. Protokół ten stworzył dr Richard Gerkin z jednostki straży pożarnej w Phoenix w stanie Arizona. To określenie submaksymalnego wysiłku na bieżni wykorzystywane przez wiele jednostek straży pożarnej w Stanach Zjednoczonych do oceny kondycji fizycznej strażaków. Test wymaga stałego monitorowania tętna, zatem stanowczo zaleca się użycie telemetrycznego paska na klatkę piersiową.	N/D	N/D	N/D	



# WYKRESY PROGRAMÓW

## TEST SPRAWNOŚCI - GERKIN

Etap	Całkowity czas	Prędkość w milach na godz.	Nachylenie %	Przewid. maks. VO2 (ml/kg/min)	Przewid. maks. VO2 MET
0 (rozgrzewka)	1:00	3,0	0	13,3	3,3
	2:00	3,0	0	13,3	3,3
	3:00	3,0	0	13,3	3,3
1	03:30	4,5	0	15,3	4,4
	04:00	4,5	0	17,4	5,0
2	04:30	4,5	2	19,4	5,5
	05:00	4,5	2	21,5	6,1
3	05:30	5,0	2	23,6	6,7
	06:00	5,0	2	27,6	7,9
4	06:30	5,0	4	28,7	8,2
	07:00	5,0	4	29,8	8,5
5	07:30	5,5	4	31,2	8,9
	08:00	5,5	4	32,7	9,3
6	08:30	5,5	6	33,9	9,7
	09:00	5,5	6	35,1	10,0
7	09:30	6,0	6	36,6	10,5
	10:00	6,0	6	38,2	10,9
8	10:30	6,0	8	39,5	11,3
	11:00	6,0	8	40,9	11,6
9	11:30	6,5	8	42,6	12,2
	12:00	6,5	8	44,3	12,7
10	12:30	6,5	10	45,7	13,1
	13:00	6,5	10	47,2	13,5
11	13:30	7,0	10	49,0	14,0
	14:00	7,0	10	50,8	14,5
12	14:30	7,0	12	52,3	14,9
	15:00	7,0	12	53,9	15,4
13	15:30	7,5	12	55,8	15,9
	16:00	7,5	12	57,8	16,5
14	16:30	7,5	14	59,5	17,0
	17:00	7,5	14	61,2	17,5
15	17:30	8,0	14	63,2	18,1
	18:00	8,0	14	65,3	18,7

Maks. VO2 (mile/kg/min)	KOBIECY				MĘŻCZYŹNI				
WYNIK TESTU	PERCENTYL	20-29	30-39	40-49	50-59	20-29	30-39	40-49	50-59
<b>WYBITNY</b>	99	> 53,0	> 48,7	> 46,8	> 42,0	> 58,8	> 58,9	> 55,4	> 52,5
	95	46,8	43,9	41,0	36,8	54,0	52,5	50,4	47,1
<b>DOSKONAŁY</b>	90	44,2	41,0	39,5	35,2	51,4	50,3	48,2	45,3
	80	41,0	38,6	36,3	32,3	48,2	46,8	44,1	41,0
<b>DOBRY</b>	70	38,1	36,7	33,8	30,9	46,8	44,6	41,8	38,5
	60	36,7	34,6	32,3	29,4	44,2	42,4	39,9	36,7
<b>NIEZŁY</b>	50	35,2	33,8	30,9	28,2	42,5	41,0	38,1	35,2
	40	33,8	32,3	29,5	26,9	41,0	38,9	36,7	33,8
<b>SŁĄBY</b>	30	32,3	30,5	28,3	25,5	39,5	37,4	35,1	32,3
	20	30,6	28,7	26,5	24,3	37,1	35,4	33,0	30,2
<b>BARDZO SŁĄBY</b>	10	28,3	26,5	25,1	22,3	34,5	32,5	30,9	28,0
	5	25,9	25,1	23,5	21,1	31,6	30,9	28,3	25,1

### 1. Podczas testu

- 1.1 W przypadku naciśnięcia klawisza STOP instrument zakończy test i wyświetli komunikat TEST TERMINATED (TEST ZAKOŃCZONY).
- 1.2 Kiedy HR (tętno) > THR (docelowe tętno) przekroczy 15 sekund lub ukończy 18-minutowy test, maszyna wejdzie w tryb COOL DOWN (USPOKOJENIA), aby zakończyć wszystkie zadania testowe i wyświetlić ich wyniki.
- 1.3 Kiedy ROZGRZEWKĄ (WARM UP) zostanie ukończona, jeśli nie zostanie wykryte tętno, instrument wyświetli HEART RATE LOST GRIP SENSORS (CZUJNIKI NIE WYKRYŁY TĘTNA). Jeśli minie 20 sekund, a nadal nie zostanie wykryte tętno, maszyna zakończy test i wejdzie w tryb COOL DOWN (USPOKOJENIA), a następnie wyświetli komunikat TEST TERMINATED (TEST ZAKOŃCZONY).

### 2. Wyniki testu:

Czas całkowity / kalorie / numer etapu / poziom testu

### 3. Tętno docelowe (220 - WIEK) x 0,85

## INTERWAŁY

SEGMENT	1	2	3	4	5	6	7	8	9	10	11	12	13	14
POZIOM	NACHYLENIE													
L1	1	1	2	1	2	1	3	1	2	1	2	1	1	1
L2	1	2	3	1	3	1	3	1	3	1	3	2	1	1
L3	1	2	3	1	3	1	4	1	3	1	3	2	1	1
L4	1	3	4	1	4	1	5	1	4	1	4	3	1	1
L5	2	3	5	2	5	2	5	2	5	2	5	3	2	2
L6	2	4	5	2	5	2	6	2	5	2	5	4	2	2
L7	2	4	6	2	6	2	7	2	6	2	6	4	2	2
L8	3	5	7	3	7	3	8	3	7	3	7	5	3	3
L9	3	5	8	3	8	3	9	3	8	3	8	5	3	3
L10	3	6	9	3	9	3	10	3	9	3	9	6	3	3

Informacje o mapie programu mieszanego pochodzą z tabeli interwałów.

## WSTĘP

- 1) Sprawdzić, czy na pasie nie znajdują się przedmioty, które mogłyby utrudnić jego przesuwanie się.
- 2) Włożyć do gniazdka wtyczkę przewodu zasilającego i przełączyć bieżnię na ON.
- 3) Stać na bocznych panelach bieżni.
- 4) Przywiązać klips klucza bezpieczeństwa do ubrania, sprawdzić, czy jest dobrze przymocowany i nie spadnie podczas treningu.

### A) QUICK START

Aby rozpocząć trening, wystarczy wcisnąć ►. Czas będzie odliczany od 00:00. Trening rozpoczyna się przy najniższym nachyleniu i najmniejszej prędkości.

### B) WYBÓR PROGRAMU

- 1) Wybrać program **KLAWISZAMI PROGRAMU** i wcisnąć ✓.
- 2) Postępować zgodnie z poleceniami w **CENTRUM INSTRUKCJI**, aby ustawić informacje w programie treningu, wykorzystując do tego ▲▼ lub **KLAWISZE NUMERYCZNE**. Wcisnąć ✓ po każdym wyborze.
- 3) Wcisnąć ►, aby rozpocząć trening.

UWAGA: Podczas treningu można zmieniać prędkość i nachylenie.

### C) KOŃCZENIE TRENINGU

Kiedy trening dobiegnie końca, na konsoli wyświetlą się dotyczące go informacje.

### ABY USUNĄĆ BIEŻĄCY WYBÓR

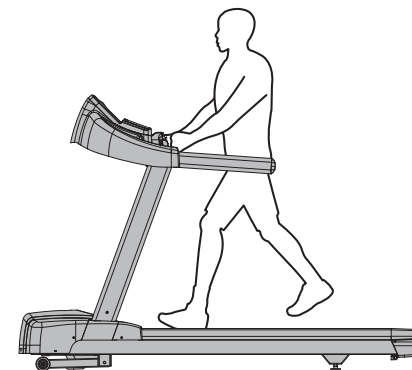
Aby usunąć bieżący wybór programu lub ekran, wcisnąć i przytrzymać klawisz **STOP** ■ przez 3 sekundy.

## PRAWIDŁOWE UŻYCIĘ

Ustawić stopy na pasie, lekko ugiąć ramiona i chwycić czujniki pomiaru tętna (jak na ilustracji). Podczas biegu stopy powinny znajdować się na środku pasa, aby dłonie mogły naturalnie kołysać się i nie dotykać przedniej poręczy.

Pas bieżni może osiągać wysokie prędkości. Zawsze rozpoczynać od niższej prędkości, a następnie zwiększać ją w małych odstępach, aby uzyskać większą prędkość. Pod żadnym pozorem nie pozostawiać uruchomionej bieżni bez nadzoru.

Kiedy bieżnia nie jest używana, przełączyć przełącznik wł./wył. na pozycję wył. i wyjąć z gniazdka przewód zasilający. Aby utrzymać optymalne funkcjonowanie i zapobiec przedwczesnej awarii systemu elektronicznego bieżni, należy koniecznie przestrzegać jej harmonogramu **KONSERWACJI** podanego w niniejszej instrukcji obsługi. Skierować swoje ciało i głowę do przodu. Kiedy pas bieżni jest w ruchu, nie próbować odwracać się czy patrzeć do tyłu. Należy natychmiast przerwać trening w przypadku poczucia bólu, omdlenia, zawrotów głowy czy trudności w oddychaniu.





## PRZED ROZPOCZĘCIEM

### WYBÓR LOKALIZACJI DLA BIEŻNI

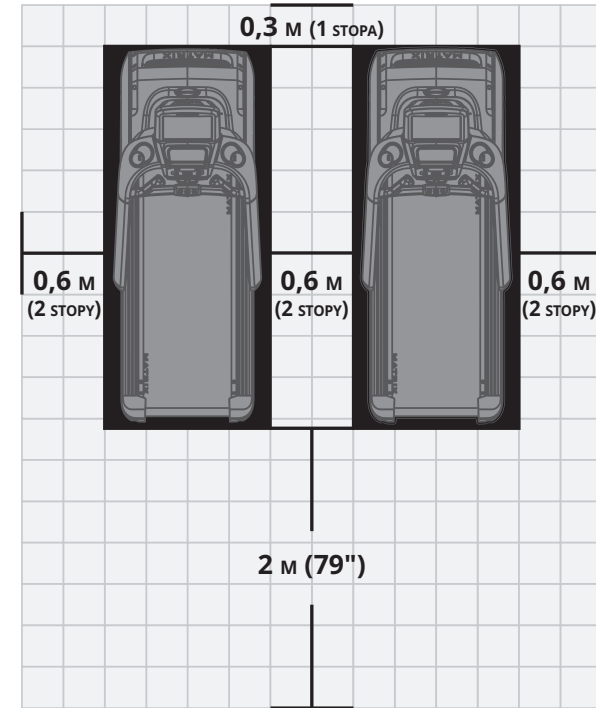
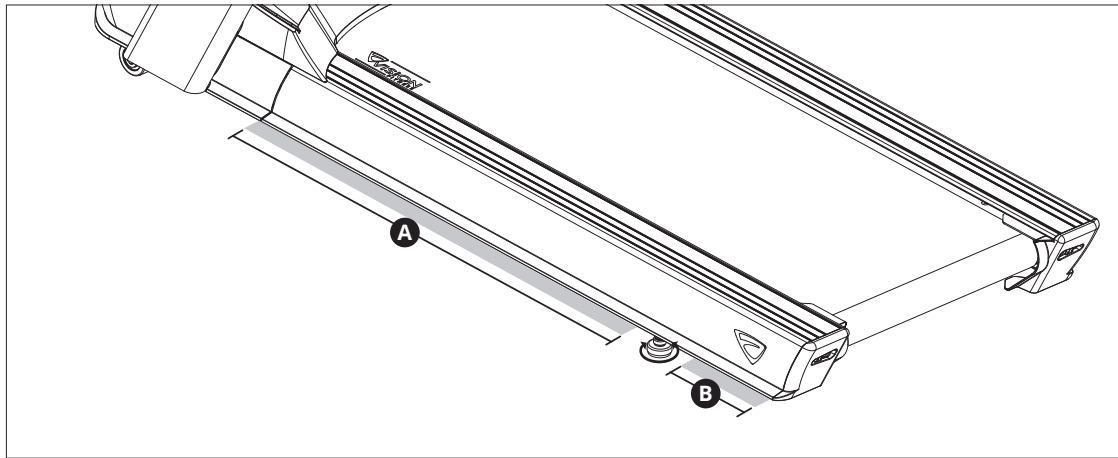
Urządzenie należy ustawić na równej i stabilnej powierzchni, z dala od bezpośredniego nasłonecznienia. Silne promieniowanie UV może spowodować przebarwienia tworzyw sztucznych. Urządzenie umieścić w miejscu o niskiej temperaturze i wilgotności. Za bieżnią należy pozostawić pustą przestrzeń szerokości przynajmniej takiej, jaką ma urządzenie, i długości co najmniej 2 m (79"). Strefa ta musi być wolna od przeszkód i zapewniać użytkownikowi wolną od przeszkód drogę opuszczania maszyny. Aby ułatwić użytkownikom dostęp do bieżni, po obu jej bokach powinno się pozostawić przestrzeń szerokości co najmniej 0,6 m (24"). Nie należy umieszczać bieżni w miejscach, w których mogłaby zablokować otwory wentylacyjne lub powietrzne. Bieżni nie należy umieszczać w garażu, zadaszonym patio, w pobliżu wody lub na zewnątrz.

### POZIOMOWANIE BIEŻNI

Niezwykle ważne jest, aby niwelatory były prawidłowo wyregulowane w celu zapewnienia prawidłowej eksploatacji urządzenia. Obrócić nóżkę niwelacyjną zgodnie z ruchem wskazówek zegara, aby obniżyć bieżnię, oraz przeciwnie do ruchu wskazówek zegara, aby ją podnieść. W zależności od potrzeb wyregulować każdą stronę aż do wypoziomowania bieżni. Niewyważone urządzenie może powodować nieprawidłowe ustawienie pasa lub inne problemy. Zaleca się stosowanie poziomic.

### PRZENOSZENIE BIEŻNI

Aby podczas przenoszenia bieżni uniknąć uszkodzenia jej części, podnosić ją wyłącznie za obszary **A** lub **B**, jak pokazano na ilustracji.



### OSTRZEŻENIE!

Nasz sprzęt jest ciężki, należy zachować ostrożność i w razie potrzeby skorzystać z dodatkowej pomocy podczas przenoszenia. Nieprzestrzeganie tej instrukcji może spowodować obrażenia ciała. Nie wolno używać sprzętu, jeśli ma uszkodzony przewód lub wtyczkę, jeżeli nie działa prawidłowo, jeżeli został uszkodzony lub został zanurzony w wodzie. Należy skontaktować się z działem pomocy technicznej dla klientów w celu dokonania oceny lub naprawy.



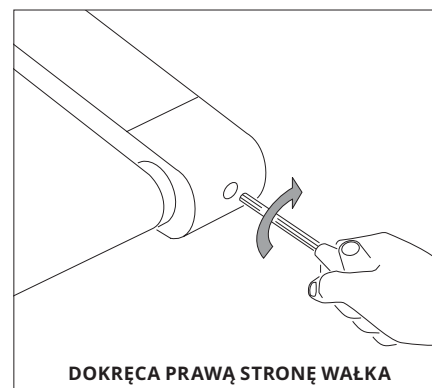


## NAPRĘŻANIE PASA BIEŻNI

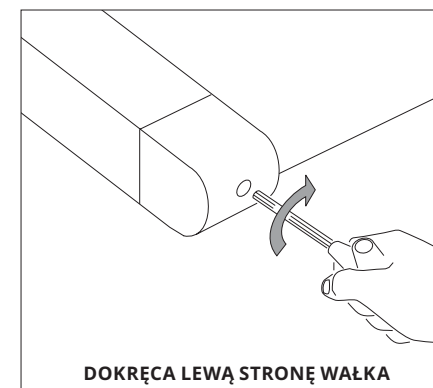
Po umieszczeniu bieżni w pozycji, w jakiej będzie eksploatowana, należy sprawdzić jej pas pod kątem właściwego naprężenia i środkowania. Pas może wymagać regulacji po pierwszych dwóch godzinach eksploatacji. Temperatura, wilgotność i eksploatacja powodują, że pas rozciąga się w różnym tempie. Jeśli pas zaczyna się wyślizgiwać, kiedy znajduje się na nim użytkownik, należy postępować zgodnie z poniższymi instrukcjami.

- 1) Odnaleźć dwie śruby imbusowe z tyłu bieżni. Śruby znajdują się na każdym końcu ramy z tyłu bieżni. Śruby te regulują tylny wałek pasa. Nie regulować go bez włączenia bieżni. Zapobiegnie to nadmiernemu naprężeniu jednej strony.
- 2) Pas powinien mieć równą odległość po obu stronach między ramą. Jeśli pas dotyka jednej strony, nie uruchamiać bieżni. Dokręcać śruby przeciwnie do ruchu wskazówek zegara około jeden pełen obrót po obu bokach. Ręcznie centrować pas poprzez przesuwanie go z boku na bok, aż będzie równoległy do bocznych paneli. Dokręcić śruby o tę samą wartość, o którą odkręcił je użytkownik – mniej więcej jeden pełny obrót. Sprawdzić pas pod kątem uszkodzeń.
- 3) Uruchomić pas bieżni przyciskiem GO. Zwiększyć prędkość do ~4,8 km/h (3 mph) i obserwować położenie pasa. Jeśli przesuwa się w prawą stronę, dokręcić prawą śrubę, przekręcając ją zgodnie z ruchem wskazówek zegara o ¼ obrotu, a lewą śrubę odkręcić o ¼ obrotu. Jeśli przesuwa się w lewą stronę, dokręcić lewą śrubę, przekręcając ją zgodnie z ruchem wskazówek zegara o ¼ obrotu, a prawą śrubę odkręcić o ¼ obrotu. Powtórzyć krok 3, aż pas pozostanie wycentrowany przez kilka minut.
- 4) Sprawdzić naprężenie pasa. Pas powinien dobrze przylegać. Kiedy użytkownik chodzi lub biega po nim, pas powinien przesuwać się pewnie i nie ześlizgiwać się. Jeśli tak się stanie, zwiększyć naprężenie pasa, przekręcając obie śruby zgodnie z ruchem wskazówek zegara o ¼ obrotu. W razie konieczności powtórzyć.

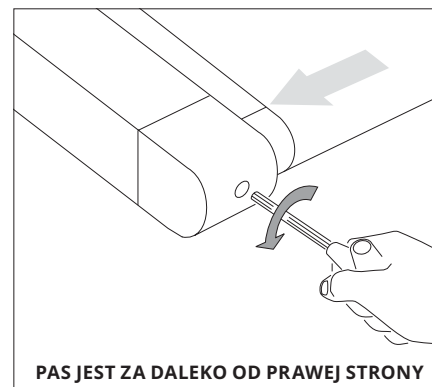
**UWAGA:** Wykorzystać pomarańczowy pasek w pozycji bocznej bocznych paneli do sprawdzenia, czy pas jest odpowiednio wycentrowany. Konieczne jest ustawianie pasa do momentu, w którym jego krawędź będzie biegła równoległe do pomarańczowego lub białego paska.



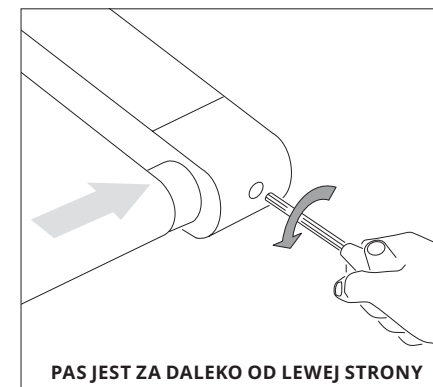
DOKRĘCA PRAWĄ STRONĘ WAŁKA



DOKRĘCA LEWĄ STRONĘ WAŁKA



PAS JEST ZA DALEKO OD PRAWY STRONY



PAS JEST ZA DALEKO OD LEWEJ STRONY

## OSTRZEŻENIE!

Podczas środkowania nie włączać prędkości pasa wyższej niż ~4,8 km/h (3 mph). Przez cały czas palce, włosy i ubrania trzymać z dala od pasa.

Bieżnie wyposażono w poręcze boczne i uchwyt przedni, co pozwala użytkownikom oprzeć się i zejść z bieżni w sytuacji nagłej.

Wcisnąć przycisk Emergency, aby zatrzymać maszynę i zejść z niej w nagłym przypadku.

## PRZED EKSPLOATACJĄ BIEŻNI

Przeprowadzić konfigurację wstępną i skalibrować bieżnię, korzystając z funkcji automatycznej kalibracji, którą można znaleźć w „trybie kierownika” lub „trybie inżyniera”.

### UWAGI:

- NIE STAWAĆ na pasie, kiedy trwa sekwencja automatycznej kalibracji.
- NIE ustawiać nachyleń do momentu ukończenia wstępnej konfiguracji i automatycznej kalibracji.
- NIE uruchamiać pasa bieżni ani nie wciskać przycisków regulujących jego prędkość podczas jego naprężania bez instrukcji zajmującej się tym osoby.



## PRZESTROGA!

### RYZIKO OBRAŻEŃ CIAŁA

Użytkownik, który przygotowuje się do skorzystania z bieżni, nie powinien stawać na jej pasie. Przed uruchomieniem bieżni stanąć stopami na bocznych panelach. Należy rozpocząć spacer na pasie dopiero po tym, kiedy pas zaczyna się przesuwać. Pod żadnym pozorem nie uruchamiać bieżni na wysokiej prędkości ani nie próbować na nią wskakiwać! W nagłym przypadku umieścić obie dłonie na poręczach bocznych, aby się przytrzymać, i umieścić stopy na panelach bocznych.

### KORZYSTANIE Z KLUCZA BEZPIECZEŃSTWA

Bieżnia nie uruchomi się bez zresetowania przycisku awaryjnego zatrzymywania pasa. Przypiąć końcówkę klipsa do ubrania. Klucz bezpieczeństwa ma na celu odcięcie zasilania bieżni w razie upadku użytkownika. Sprawdzać działanie klucza bezpieczeństwa co 2 tygodnie.

### OSTRZEŻENIE!

Pod żadnym pozorem nie korzystać z bieżni bez przyłączenia klipsa klucza do ubrania. Najpierw pociągnąć za klips klucza, aby sprawdzić, czy nie odzepia się od ubrania.

Uruchamiać pas w przeciwnym kierunku wyłącznie pod nadzorem. Maksymalną domyślną prędkość pasa, która wynosi 2 mph, powinien zmieniać wyłącznie upoważniony do tego technik.

Pas bieżni może osiągać wysokie prędkości. Zawsze rozpoczynać od niższej prędkości, a następnie zwiększać ją w małych odstępach, aby uzyskać większą prędkość. Pod żadnym pozorem nie pozostawiać uruchomionej bieżni bez nadzoru. Kiedy bieżnia nie jest używana, przełączyć przełącznik wł./wył. na pozycję wył. i wyjąć z gniazdka przewód zasilający. Aby utrzymać optymalne funkcjonowanie i zapobiec przedwczesnej awarii systemu elektronicznego bieżni, należy koniecznie przestrzegać jej harmonogramu KONSERWACJI podanego w niniejszej instrukcji obsługi. Skierować swoje ciało i głowę do przodu. Kiedy pas bieżni jest w ruchu, nie próbować odwracać się czy patrzeć do tyłu. Należy natychmiast przerwać trening w przypadku poczucia bólu, omdlenia, zawrotów głowy czy trudności w oddychaniu.

## KORZYSTANIE Z FUNKCJI POMIARU TĘTNA

Funkcja pomiaru tętna w tym produkcie nie jest urządzeniem medycznym. Chociaż uchwyty do pomiaru tętna mogą zapewnić względną ocenę rzeczywistego tętna, nie należy na nich polegać, gdy konieczne są dokładne odczyty. Niektóre osoby, w tym osoby uczestniczące w programie rehabilitacji kardiologicznej, mogą skorzystać z alternatywnego systemu monitorowania tętna, takiego jak pasek na klatkę piersiową lub pasek na nadgarstek. Różne czynniki, w tym ruch użytkownika, mogą mieć wpływ na dokładność odczytu tętna. Odczyt tętna ma na celu jedynie pomoc w ogólnym określaniu trendów tętna. Należy zasięgnąć porady lekarza.

### UCHWYTY DO POMIARU TĘTNA

Należy umieścić dłonie bezpośrednio na uchwycie do pomiaru tętna. Aby zarejestrować tętno, jego czujniki należy złapać obiema dłońmi. Rozpoczęcie rejestracji tętna trwa 5 kolejnych uderzeń serca (15–20 sekund). Nie należy zbyt mocno trzymać uchwytów do pomiaru tętna. Mocne trzymanie uchwytów może spowodować wzrost ciśnienia krwi. Uchwyt należy lekko trzymać lekko, obejmując go. Przy konsekwentnym trzymaniu uchwytu do pomiaru tętna może dojść do błędnego odczytu. Koniecznie czyścić czujniki tętna w celu zapewnienia odpowiedniego kontaktu. Uchwyty do pomiaru tętna mają służyć jedynie do tego celu.

### OSTRZEŻENIE!

Systemy monitorowania tętna mogą być niedokładne. Nadmierne ćwiczenia mogą spowodować poważne obrażenia ciała lub śmierć. W przypadku złego samopoczucia należy natychmiast przerwać ćwiczenia.

## SPECYFIKACJA PRODUKTU

Maksymalna waga użytkownika	182 kg / 400 funtów
Waga produktu	178 kg / 392 funty
Masa wysyłkowa	210 kg / 462 funty
Całkowite wymiary (dł. x szer. x wys.)*	215 x 91 x 154 cm / 85" x 36" x 61"

\* Należy zapewnić minimalną wolną przestrzeń o szerokości 0,6 m (24") w celu umożliwienia dostępu do sprzętu VISION i przechodzenia wokół niego. Należy pamiętać, że w przypadku osób poruszających się na wózkach inwalidzkich zalecana przez ADA szerokość wolnej przestrzeni to 0,91 m (36").



## KONSERWACJA

Wszelki demontaż lub wymiana części musi być przeprowadzona przez wykwalifikowanego technika serwisowego.

- 1) **NIE WOLNO** używać sprzętu, który jest uszkodzony, zużyty lub ma zepsute części. Należy używać wyłącznie części zamiennych dostarczonych przez lokalnego sprzedawcę urządzeń VISION w danym kraju.
- 2) **NALEŻY ZACHOWAĆ ETYKIETY I TABLICZKI ZNAMIONOWE:** nie wolno usuwać etykiet z żadnego powodu. Zawierają one ważne informacje. W przypadku ich braku lub nieczytelności należy skontaktować się ze sprzedawcą urządzeń VISION w celu ich wymiany.
- 3) **SERWISOWANIE CAŁEGO SPRZĘTU:** konserwacja profilaktyczna jest kluczem do sprawnego działania urządzenia oraz ograniczenia do minimum odpowiedzialności użytkownika. Sprzęt należy poddawać regularnym przeglądom.
- 4) Należy dopilnować, aby każda osoba dokonująca regulacji, konserwacji lub napraw dowolnego rodzaju była do tego uprawniona. Na życzenie klienta sprzedawcy urządzeń VISION mogą przeprowadzić na terenie swojej siedziby szkolenia w zakresie serwisu i konserwacji.

### OSTRZEŻENIE!

Aby odłączyć zasilanie od bieżni, należy odłączyć przewód zasilający od gniazdka ściennego.

## REKOMENDOWANE WSKAZÓWKI DOTYCZĄCE CZYSZCZENIA

Konserwacja profilaktyczna i codzienne czyszczenie urządzenia przedłużą okres jego eksploatacji i utrzymają jego dobry wygląd.

- 1) Stosować miękką, czystą, bawełnianą ściereczkę. **NIE** używać papierowych ręczników do czyszczenia powierzchni bieżni. Papierowe ręczniki są ściernie i mogą uszkodzić powierzchnię.
- 2) Stosować ściereczkę zwilżoną wodą z łagodnym środkiem myjącym. **NIE** stosować środków czyszczących na bazie amoniaku czy alkoholu. W przeciwnym razie może dojść do odbarwienia aluminium i tworzyw sztucznych.
- 3) Nie wylewać wody czy roztworów myjących na żadną z powierzchni bieżni. W przeciwnym razie może dojść do porażenia prądem.
- 4) Po każdym użyciu wytrzeć konsolę, uchwyt do pomiaru tętna, uchwyty i panele boczne.
- 5) Usunąć szczotką wszelkie pozostałości wosku z blatu i pasa. Zjawisko występuje często, dopóki wosk nie zespoli się z materiałem, z którego wykonano pas.
- 6) Koniecznie usuwać wszystkie przeszkody, w tym przewody zasilające, ze ścieżki kół ewaluacyjnych.

Do czyszczenia ekranów dotykowych stosować wodę destylowaną w spryskiwaczu. Spryskać wodą destylowaną miękką, czystą i suchą szmatką i wycierać wyświetlacz, aż będzie czysty i suchy. W przypadku bardzo brudnych wyświetlaczy zaleca się dodanie octu.

### PRZESTROGA!

Podczas instalowania i przesuwania sprzętu należy zapewnić sobie odpowiednią pomoc, aby uniknąć urazów lub uszkodzeń bieżni.

## HARMONOGRAM KONSERWACJI

DZIAŁANIE	CZĘSTOTLIWOŚĆ
Odłączyć urządzenie. Czyścić całe urządzenie wodą i łagodnym mydłem lub innym zatwierdzonym roztworem (środki czyszczące nie powinny zawierać alkoholu ani amoniaku).	CODZIENNIE
Sprawdzać przewód zasilający. Jeśli jest uszkodzony, skontaktować się z działem obsługi technicznej klienta.	CODZIENNIE
Sprawdzać, czy przewód zasilający nie leży pod sprzętem lub w miejscu, w którym może zostać przygnieciony lub przecięty podczas przechowywania lub eksploatacji.	CODZIENNIE
Wyjąć wtyczkę kabla bieżni i zdjąć osłonę silnika. Sprawdzić, czy nie dostały się do niego ciała obce, i wyczyścić go suchą szmatką lub małą dyszą odkurzacza. <b>OSTRZEŻENIE:</b> Nie umieszczać wtyczki przewodu bieżni w gniazdku do momentu ponownego założenia osłony silnika.	CO MIESIĄC
W przypadku ekranów dotykowych konsoli należy wejść w tryb serwisowy i wybrać „test”. Wybrać opcję „kalibracja dotyku”, a następnie „start”. Należy postępować zgodnie z instrukcjami wyświetlanymi na ekranie i dotykać ekranu we wskazanych miejscach.	CO KWARTAŁ
Czyścić czujniki na podczerwień (na masztach konsoli) bawełnianym wacikiem i spirytusem.	CO KWARTAŁ

## WYMIANA BLATU I PASA

Jeden z elementów najbardziej narażonych na zniszczenie w bieżni jest połączenie blatu i pasa. Jeśli te dwa elementy nie są odpowiednio konserwowane, mogą uszkodzić inne komponenty. Niniejszy produkt został wyposażony w najbardziej zaawansowany na rynku bezobsługowy system smarowania.

### OSTRZEŻENIE!

Nie uruchamiać bieżni podczas czyszczenia pasa i blatu. W przeciwnym razie może dojść do poważnych obrażeń i uszkodzeń maszyny. Konserwować pas i blat poprzez wycieranie boków pasa i blatu czystą ściereczką. Użytkownik może także wycierać oba boki pod pasem na szerokości ~51 mm (2 cali) w celu usunięcia kurzu i ciał obcych. Blat można odwrócić i zainstalować ponownie lub wymienić na nowy. Powinien się tym zajmować upoważniony do tego technik serwisowy. Więcej informacji udzieli firma Vision Fitness Systems.



# PORTUGUÊS

# PRECAUÇÕES IMPORTANTES

## GUARDE ESTAS INSTRUÇÕES

- Ao utilizar uma esteira ergométrica, estas precauções devem ser seguidas sempre, incluindo o seguinte: Leia todas as instruções antes de utilizar este equipamento. É de responsabilidade do proprietário assegurar que todos os usuários deste equipamento sejam informados de modo adequado sobre todos os avisos e as precauções.
- Este equipamento destina-se ao uso comercial. Para garantir sua segurança e proteger o equipamento, leia todas as instruções antes da operação.

## PERIGO!

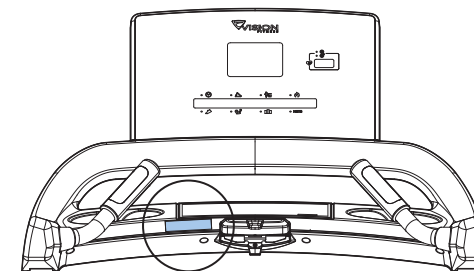
### PARA REDUZIR O RISCO DE CHOQUE ELÉTRICO:

- Sempre desconecte o equipamento do tomada elétrica imediatamente após seu uso, antes de limpar, realizar manutenção e colocar ou retirar peças.

## AVISO!

### PARA REDUZIR O RISCO DE QUEIMADURAS, INCÊNDIO, CHOQUE ELÉTRICO OU FERIMENTOS ÀS PESSOAS:

- O exercício incorreto ou excessivo pode causar ferimentos. Se você experimentar qualquer tipo de dor, incluindo, mas não limitado a dores no tórax, náusea, tontura ou falta de ar, pare os exercícios imediatamente e consulte seu médico antes de continuar.
- Ao se exercitar, mantenha sempre um ritmo confortável.
- Não vista roupas que possam ficar presas em qualquer parte da esteira ergométrica.
- O usuário deve usar calçado adequado (ou seja, calçado esportivo) ao usar este equipamento de exercício.
- Não pule na esteira.
- Em momento nenhum, mais de uma pessoa deve estar sobre a esteira enquanto estiver em operação.
- Esta esteira não deve ser utilizada por pessoas que pesam mais que o especificado na SEÇÃO DE ESPECIFICAÇÕES DO MANUAL DO PROPRIETÁRIO. O não cumprimento das mesmas invalidará a garantia.
- Desconecte o cabo de alimentação antes de fazer manutenção ou mover o equipamento.
- Para limpar, esfregue as superfícies apenas com sabão e pano levemente úmido; nunca utilize solventes. (Veja MANUTENÇÃO)
- Desconecte-o da tomada se não estiver em uso e antes de colocar ou retirar peças.
- Conecte este equipamento de exercícios apenas em uma tomada adequadamente aterrada.
- Não remova as coberturas de proteção a menos que seja instruído pelo profissional e seu distribuidor local. O serviço deve ser realizado somente por um técnico autorizado para o mesmo
- A instalação de peças ou acessórios não destinados originalmente ou incompatíveis com o equipamento vendido invalidará a garantia e pode ter impacto sobre a segurança.
- Medido à altura típica da cabeça, o nível de pressão acústica ponderado A, quando a esteira está operando a 12 km/h (sem carga), não é maior que 70 dB.
- Emissão de ruído sob carga é maior do que sem carga.
- Em NENHUM momento, animais domésticos ou crianças menores de 14 anos podem estar a uma distância menor que 10 pés (3 m) da esteira.
- Em NENHUM momento, crianças menores de 14 anos podem utilizar a esteira.
- Crianças com mais de 14 anos não devem utilizar a esteira sem a supervisão de um adulto.
- Este equipamento não é destinado para uso por pessoas com reduzidas capacidades físicas, sensoriais ou mentais, ou falta de experiência e conhecimento, a não ser que tenha sido proporcionada supervisão ou instrução relativa ao uso deste equipamento por uma pessoa responsável por sua segurança.
- Utilize a esteira apenas para sua utilização prevista conforme descrito no manual do proprietário.
- Nunca opere a esteira se o cabo ou plugue estiver danificado, se não funcionar de acordo, se tiver caído ou danificada, ou imersa em água. Ligue para o Suporte Técnico ao Cliente para inspeção e reparo.
- Para evitar risco de choque elétrico, esta peça de equipamento deve ser conectada somente a um circuito com aterramento (isolado) sem loop.
- Mantenha o cabo de alimentação distante de superfícies quentes. Não transporte esta unidade por seu cabo de alimentação nem utilize o cabo como alça.
- Nunca opere a esteira com a abertura de ventilação bloqueada. Mantenha a abertura de ventilação limpa, livre de fiapos, fios de cabelo e similares.
- Para prevenir o choque elétrico, nunca deixe cair ou insira algum objeto dentro de qualquer abertura.
- Não opere onde produtos de aerossol (spray) estejam sendo utilizados ou quando oxigênio está sendo administrado.
- Para desconectar, desligue todos os controles e depois remova o plugue da tomada.
- Não use a esteira em nenhum local, que não seja com temperatura controlada, como, mas não limitado a, garagens, varandas, halls de piscina, banheiros, coberturas para carros ou ao ar livre. O não cumprimento da mesma pode invalidar a garantia.
- A remoção de painéis de acesso de proteção deve ser feita SOMENTE por um técnico de serviço qualificado. Assegure-se de que todos os acessórios de fixação estejam devidamente reinstalados após a substituição dos painéis de acesso.
- Para evitar ferimentos, fique sobre os trilhos laterais antes de iniciar a esteira.
- O sistema de monitoração da frequência cardíaca pode ser impreciso.
- O exercício excessivo pode causar lesões graves ou morte.
- Se você sentir dor, pare imediatamente de se exercitar.
- Para evitar conexão incorreta do cabo de alimentação à tomada de energia da máquina, instale o fixador do cabo de alimentação após conectar o cabo de alimentação na máquina.



COLOQUE A ETIQUETA DE AVISO AQUI



PORTUGUÊS

## CUIDADO!

### CONSULTE UM MÉDICO ANTES DE UTILIZAR ESTE EQUIPAMENTO. LEIA O MANUAL DO PROPRIETÁRIO ANTES DO USO.

- É essencial que este equipamento seja utilizado apenas em espaços internos, em um ambiente com temperatura controlada. Se este equipamento tiver sido exposto a temperaturas mais frias ou ambientes com alta umidade, é extremamente recomendado que o equipamento seja aquecido à temperatura ambiente antes de utilizá-lo pela primeira vez. Não fazer isso pode causar falha eletrônica prematura. A velocidade inicial (padrão) é de 0,5 mph (0,8 km/h). A definição da velocidade inicial muito alta pode ser perigosa.



## REQUISITOS ELÉTRICOS

### CIRCUITO DEDICADO E INFORMAÇÃO ELÉTRICA

Um "Circuito dedicado" significa que cada tomada que você conecta não deve ter mais nada funcionando no mesmo circuito. O modo mais fácil de verificar isto é localizar a caixa de disjuntores do circuito principal e desligar o(s) disjuntor(es) um por vez. Uma vez que um disjuntor tenha sido desligado, não deve haver energia para as unidades em questão. Nenhuma lâmpada, máquina de venda automática, ventilador, sistema de som ou qualquer outro item deve ter perda de energia ao realizar este teste.

O aterramento/neutro sem loop (isolado) significa que cada circuito deve ter uma conexão individual de aterramento/neutro proveniente dele e terminando em um aterramento aprovado. Você não pode "interconectar" um aterramento/neutro individual de um circuito ao próximo.

### REQUISITOS ELÉTRICOS

Para sua segurança e assegurar o bom desempenho da esteira, o aterramento neste circuito deve ser sem loop (isolado). Consulte a NEC, artigos 210-21 e 210-23. Sua esteira é fornecida com um cabo de alimentação com um plugue listado abaixo e exige a tomada especificada. Quaisquer alterações deste cabo de alimentação podem anular as garantias deste produto.

### UNIDADES DE 220 V

Todas as esteiras Vision 220 V exigem a utilização de um "Circuito dedicado" de 216-250 V, 50 Hz e 20 A, com um aterramento/neutro (isolado) sem loop para energia elétrica. Esta tomada deve ser segundo NEMA 6-20R e ter a mesma configuração que o plugue. Nenhum adaptador deve ser utilizado com este equipamento.

### INSTRUÇÕES DE ATERRAMENTO

O equipamento deve estar aterrado. Se houver mau funcionamento ou pane, o aterramento fornece um caminho de mínima resistência para corrente elétrica, a fim de reduzir o risco de choque elétrico. A unidade é equipada com um cabo tendo um condutor de aterramento do equipamento e um plugue de aterramento. O plugue deve ser conectado a uma tomada adequada que é instalada de acordo e aterrada segundo todos os códigos locais e determinações legais. Se o usuário não seguir estas instruções de aterramento, o usuário pode ter a garantia limitada da Vision anulada.

### INFORMAÇÃO ELÉTRICA ADICIONAL

Além do requisito de circuito dedicado, o fio de bitola adequada deve ser utilizado a partir da caixa de disjuntores para cada tomada, que terá o número máximo de unidades derivando dela. Se a distância da caixa de disjuntores a cada tomada for de 100 pés (30,5 m) ou menos, um fio de bitola 12 deve ser utilizado. Para distâncias maiores de 100 pés (30,5 m) da caixa de disjuntores à tomada, um fio de bitola 10 deve ser utilizado.

### MODO DE ECONOMIA DE ENERGIA / BAIXA POTÊNCIA

Todas as unidades estão configuradas com a capacidade de acessar um modo de economia de energia / baixa potência quando a unidade não estiver em uso por um período de tempo específico. Tempo adicional pode ser necessário para reativar totalmente esta unidade, uma vez que tenha entrado no modo de baixa potência. Este recurso de economia de energia pode ser ativado ou desativado dentro do "Modo de Gerenciador" ou "Modo de Engenharia".

### AVISO!

Conecte este equipamento de exercícios apenas em uma tomada adequadamente aterrada.

- Nunca opere o equipamento com um cabo ou plugue danificado, mesmo se estiver funcionando adequadamente. Nunca opere algum equipamento se parecer danificado ou tiver sido imerso em água. Entre em contato com o Suporte Técnico ao Cliente para solicitar substituição ou reparo.

Se estas especificações não forem seguidas, podem ocorrer danos ao seu produto e anular a garantia:

- Todas as tomadas de vídeo e de força devem estar funcionais no dia da entrega/montagem do equipamento. O cliente é responsável por quaisquer ônus adicionais de instalação associados às visitas de retorno.
- O fornecimento de energia pode flutuar em sua área. Para assegurar o desempenho estável do equipamento, utilize fios de bitola adequada.

### PERIGO!

A conexão inadequada do condutor de aterramento do equipamento pode resultar em risco de choque elétrico. Verifique com um eletricitista qualificado ou técnico de manutenção se estiver em dúvida quanto ao aterramento adequado do equipamento. Não modifique o plugue fornecido com o equipamento. Se a tomada não for adequada, peça a um eletricitista qualificado para instalar uma tomada apropriada.



## CONJUNTO

### RETIRADA DA EMBALAGEM

Desembale o equipamento onde você irá utilizá-lo. Coloque a caixa de papelão em uma superfície plana nivelada. É recomendado que você coloque uma cobertura de proteção em seu piso. Nunca abra a caixa quando estiver sobre sua lateral.

### NOTAS IMPORTANTES

Durante cada etapa da montagem, assegure que TODAS as porcas e os parafusos estejam no local e parcialmente rosqueadas. Diversas partes foram lubrificadas previamente para ajudar na montagem e uso. Não remova este lubrificante. Se você tiver dificuldade, é recomendada uma aplicação leve de graxa à base de lítio.

### AVISO!

Durante a montagem, há várias áreas que merecem atenção especial. É muito importante seguir as instruções de montagem corretamente e assegurar-se de que todas as partes estão firmemente apertadas. Se as instruções de montagem não forem seguidas corretamente, o equipamento pode apresentar partes que não foram apertadas, parecendo soltas e podendo causar ruídos irritantes. Para prevenir danos ao equipamento, as instruções de montagem devem ser revisadas e ações corretivas tomadas.

### PRECISA DE AJUDA?

Se você tiver perguntas ou se houver alguma parte ausente, entre em contato com o Suporte Técnico ao Cliente. Acesse [world.visionfitness.com](http://world.visionfitness.com) para obter informação de contato.

### FERRAMENTAS NECESSÁRIAS:

- Chave em T de 8 mm
- Chave Allen de 8 mm
- Chave Allen de 6 mm
- Chave Phillips

### PARTES INCLUÍDAS:

- 1 estrutura de base
- 1 conjunto da base do console
- 1 conjunto do console
- 2 hastes de console
- 2 guidões
- 1 cabo de alimentação
- 1 kit de ferragens



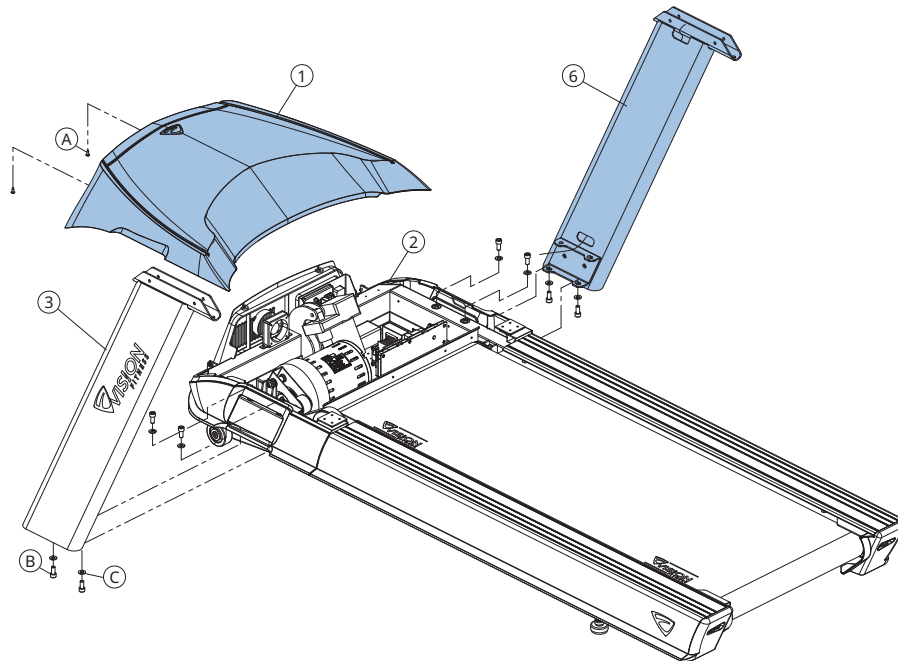
**1****IMPORTANTE:** Não aperte os parafusos até a etapa 3 estar concluída.

- Remova os 2 parafusos pré-instalados (A) e retire a **COBERTURA DO MOTOR (1)**.
- Abra as **FERRAGENS PARA ETAPA 1**.
- Fixe a **HASTE ESQUERDA DO CONSOLE (3)** à **ESTRUTURA DE BASE (2)** usando **4 PARAFUSOS (B)** e **4 ARRUELAS PLANAS (C)** da parte superior e inferior.
- Fixe a **HASTE DIREITA DO CONSOLE (6)** à **ESTRUTURA DE BASE (2)** usando **4 PARAFUSOS (B)** e **4 ARRUELAS PLANAS (C)** da parte superior e inferior.

NOTA: Tenha cuidado para não comprimir os fios ao fixar o guidão.

**Ferragens para etapa 1**

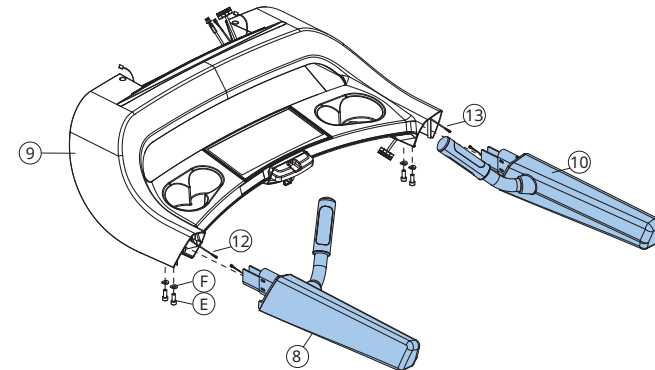
Descrição	Quantidade
A Parafuso pré-instalado	2
B Parafuso	8
C Arruela plana	8

**2**

- Abra **FERRAGENS PARA ETAPA 2**.
- Conecte o **FIO DO ELETRODO DE FREQUÊNCIA CARDÍACA (12)**, descarte a abraçadeira de fio, introduza os cabos dentro do **GUIDÃO ESQUERDO (8)** e deslize para dentro da **BASE DO CONSOLE (9)**.
- Conecte o **FIO DO ELETRODO DE FREQUÊNCIA CARDÍACA (13)**, descarte a abraçadeira de fio, introduza os cabos dentro do **GUIDÃO DIREITO (10)** e deslize para dentro da **BASE DO CONSOLE (9)**.
- Fixe os **GUIDÕES (8 e 10)** à **BASE DO CONSOLE (9)** usando **4 PARAFUSOS (E)** e **4 ARRUELAS CURVAS (F)**.

**Ferragens para etapa 2**

Descrição	Quantidade
E Parafuso	4
F Arruela arco	4



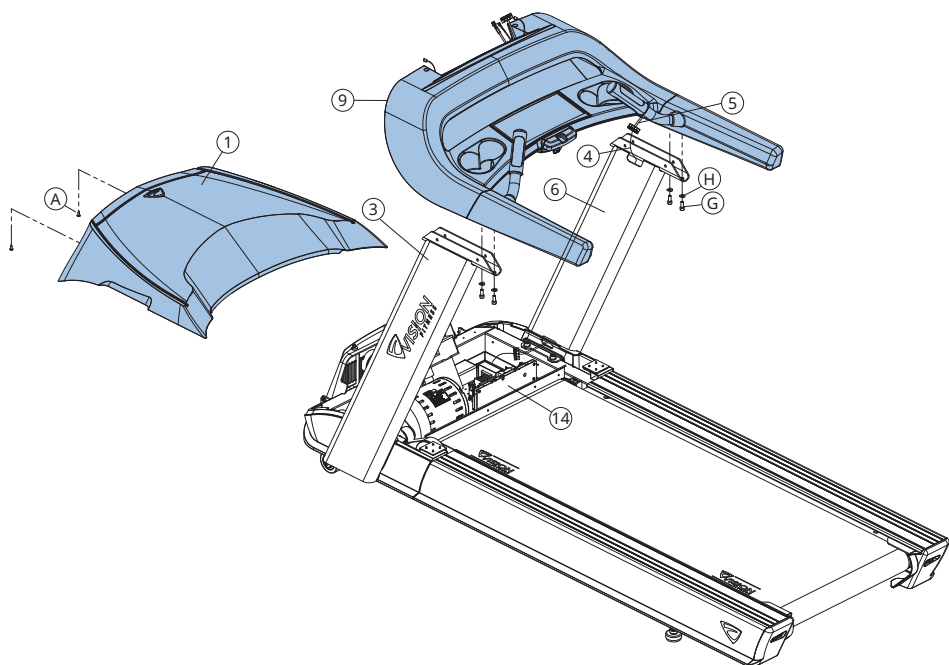


# 3

- Abra **FERRAGENS PARA ETAPA 3**.
- Fixe o **FIO DE CHUMBO (4)** ao **CABO DO CONSOLE (5)** e puxe o fio de chumbo através da **HASTE DIREITA DO CONSOLE (6)**. Depois de puxar o fio de chumbo através da haste, a parte superior do cabo do console deve estar conectada ao **MCB (14)**. Retire e descarte o fio de chumbo.
- Fixe a **BASE DO CONSOLE (9)** às **HASTES DO CONSOLE (3 e 6)** usando **4 PARAFUSOS (G)** e **4 ARRUELAS CURVAS (H)**.
- Aperte todos os parafusos das etapas 1 a 3.
- Instale a **COBERTURA DO MOTOR (1)** usando 2 parafusos pré-instalados (A).

### Ferragens para etapa 3

Descrição	Quantidade
G Parafuso	4
H Arruela arco	4

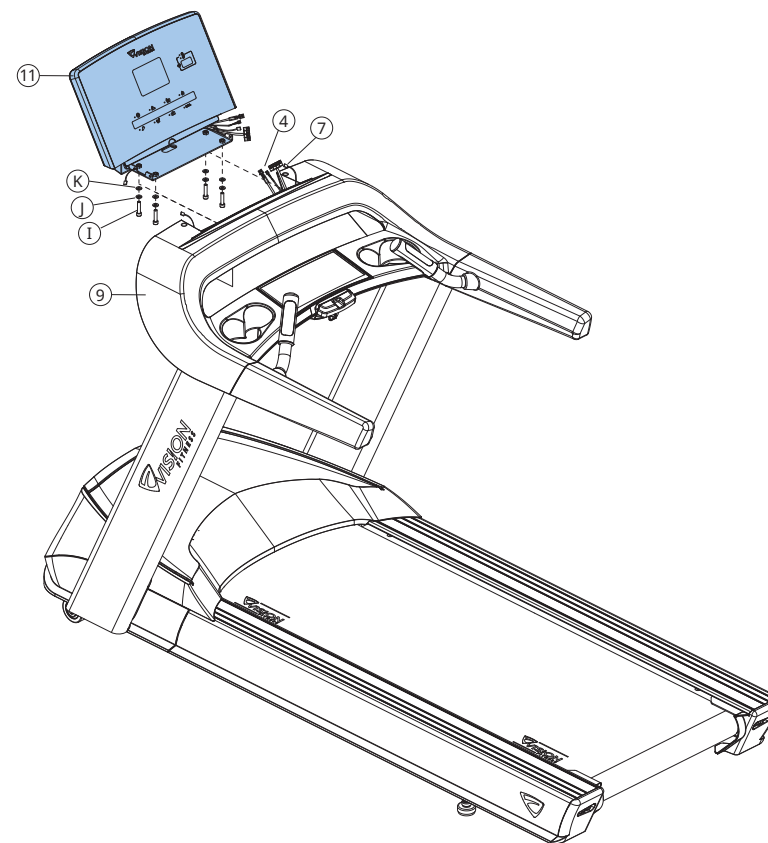


# 4

- Abra **FERRAGENS PARA ETAPA 4**
- Conecte os **CABOS DO CONSOLE (4)** e os **FIOS DA FREQUÊNCIA CARDÍACA (7)** ao **CONSOLE (11)** e introduza cuidadosamente o excesso de cabo dentro da **BASE DO CONSOLE (9)**.
- Fixe o **CONSOLE (11)** à **BASE DO CONSOLE (9)** usando **4 PARAFUSOS (I)**, **4 ARRUELAS DE PRESSÃO (J)** e **4 ARRUELAS PLANAS (K)**.

### Ferragens para etapa 4.

Descrição	Quantidade
I Parafuso	4
J Arruela de pressão	4
K Arruela plana	4





5

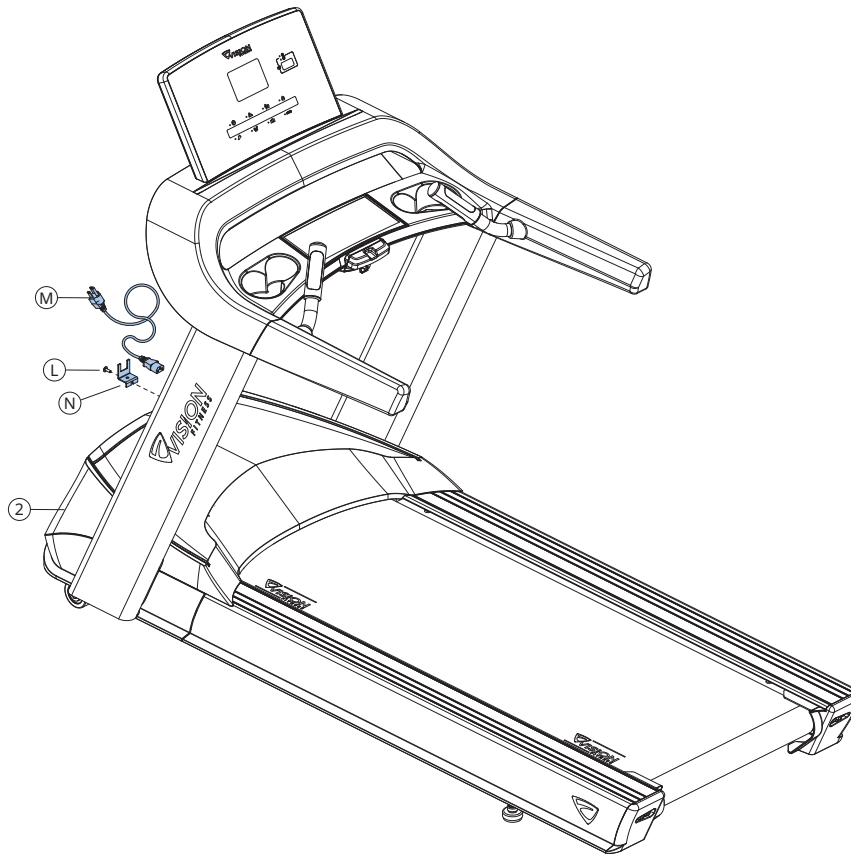
- Instale o **CABO DE ALIMENTAÇÃO (M)** à **ESTRUTURA DE BASE (2)**.
- Instale a **PLACA DE RETENÇÃO DO CABO DE ALIMENTAÇÃO (N)** na **ESTRUTURA DE BASE (2)** usando **1 PARAFUSO (L)**.

PORTUGUÊS

Ferragens para etapa 5

Descrição	Quantidade
L Parafuso	1
M Cabo de alimentação	1
N Placa de retenção do cabo de alimentação	1

**MONTAGEM CONCLUÍDA!**



# OPERAÇÃO DO CONSOLE

## A JANELA DO PERFIL DO PROGRAMA

Representa o perfil do programa em uso (velocidade durante programas baseados em velocidade e inclinação durante programas baseados em inclinação).

## B CENTRO DE FREQUÊNCIA CARDÍACA

Exibe sua frequência cardíaca real e alvo durante o treino. O console exibe uma frequência cardíaca dentro de 15 a 20 segundos de contato com os sensores ou a utilização de uma faixa de tórax de frequência cardíaca. No programa FREQUÊNCIA CARDÍACA ALVO, a frequência cardíaca alvo inserida será exibida na janela a cada 60 segundos.

## C CENTRO DE INSTRUÇÕES

Exibe instruções passo a passo para configurar um programa. Durante um treino, ele exibe: tempo, ritmo, inclinação, distância, velocidade, nível, calorias e METs.

## D TECLADO DE CONTROLE

Permite ao usuário configurar programas e controlar o treino.

### 1 TECLADO NUMÉRICO

Usado para inserir dados do programa durante a configuração do programa. Pressione ✓ para confirmar as configurações. Pressione ↵ para limpar os dados ainda não inseridos durante a configuração do treino.

### 2 VELOCIDADE E INCLINAÇÃO

Use ▲ ▼ para ajustar a velocidade ou a inclinação.

### 3 INICIAR ▶

Pressione para iniciar seu treino imediatamente sem ter que selecionar um programa de exercícios.

### 4 PARAR ■

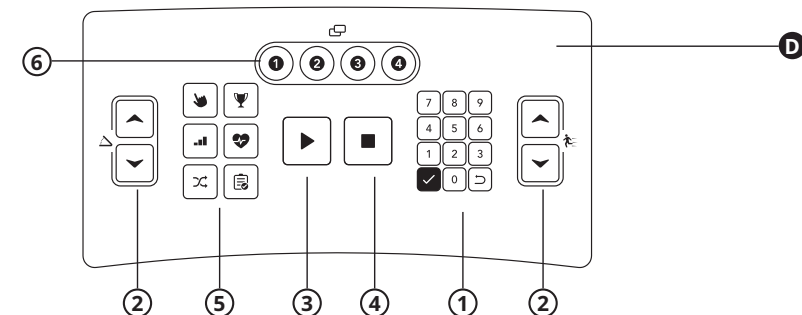
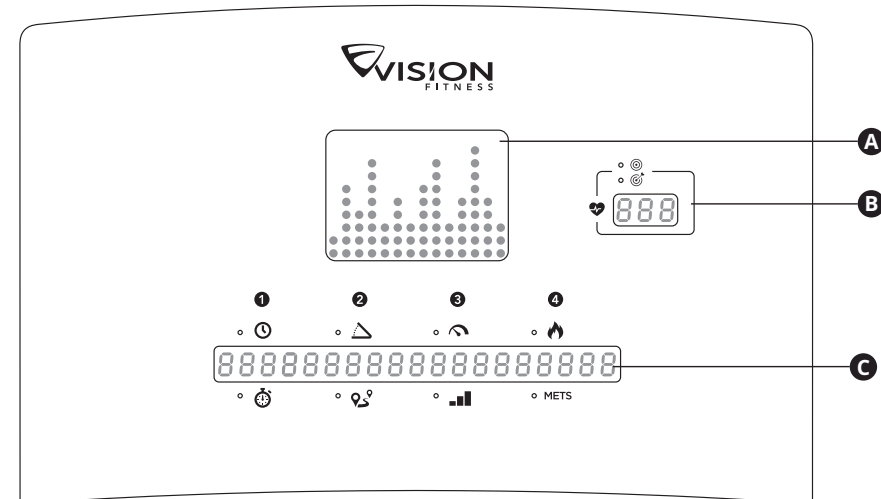
Pressione para parar seu treino. Pressione e segure por 3 segundos para redefinir o console.

### 5 TECLAS DE PROGRAMA

Pressione para selecionar um programa. Para mais metas e mais frequências cardíacas, pressione a tecla repetidamente para programas adicionais.

### 6 ALTERAR EXIBIÇÃO (1 - 4) □

Pressione para alterar informação na tela durante o treino.




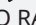






Acesse o site da Vision para obter mais informações sobre montagem e console: [world.visionfitness.com](http://world.visionfitness.com)

**NOTA:** Por padrão, a janela de tempo fará contagem regressiva a partir do tempo total do treino. Se nenhum tempo de treino estiver definido, a janela de tempo fará contagem ascendente a partir de 0:00.





## INFORMAÇÕES SOBRE OS PROGRAMAS

PROGRAMA		DESCRIÇÃO	TEMPO PADRÃO	ENTRADA IMEDIATA	CONTROLE DO PROGRAMA
 INÍCIO RÁPIDO		Início rápido é a maneira mais rápida de começar a exercitar e ignora os avisos de configuração. Após pressionar  , é iniciado um treino de nível constante, e a velocidade e a inclinação não mudam automaticamente.	N/A	N/A	N/A
 MANUAL		Manual é um treino de esforço constante em que o usuário pode mudar a inclinação ou a velocidade a qualquer momento.	20:00	Tempo, peso	N/A
 INTERVALADO		Intervalado é caracterizado por períodos de exercícios aeróbicos intensos separados por períodos regulares de exercícios de menor intensidade. Em qualquer ponto durante o treino, o usuário pode alterar as configurações da velocidade atual.	20:00	Nível, tempo, peso	Elevação
 META+	TEMPO	Este treino define a duração como meta de treino. Uma vez que o objetivo da duração é cumprido, o treino entra em uma fase de desaquecimento.	20:00	Tempo, inclinação inicial, velocidade inicial, peso	N/A
	DISTÂNCIA	Este treino foi concebido para formar resistência em uma determinada distância. Uma vez que o objetivo é cumprido, o treino entra automaticamente em uma fase de desaquecimento e depois termina.	N/A	Distância, inclinação inicial, velocidade inicial, peso	N/A
	CALORIAS	Este treino foi concebido para queimar um determinado número de calorias na duração selecionada de tempo. Uma vez que o objetivo é cumprido, o treino entra automaticamente em uma fase de desaquecimento e depois termina.	N/A	Calorias, inclinação inicial, peso	N/A
 ALEATÓRIO		Aleatório cria um padrão aleatório de terreno com colinas e vales que varia de acordo com cada treino.	20:00	Tempo, peso	Elevação
 FREQUÊNCIA CARDÍACA+	FREQ. CARD. ALVO	Frequência cardíaca alvo é um treino de maior intensidade para usuários mais em forma, enfatizando os benefícios cardiovasculares. O usuário deve usar uma faixa de tórax de frequência cardíaca ou manter as mãos em contato continuamente com os eletrodos de frequência cardíaca. O programa ajusta o nível de intensidade, baseado na frequência cardíaca real, para manter a frequência em 80% da máxima teórica.	20:00	Idade, frequência cardíaca, controle da frequência cardíaca, velocidade máx. ou inclinação máx., tempo, peso	Velocidade ou elevação
	PERDA DE PESO	Perda de peso é um treino de baixa intensidade para queimar as reservas de gordura do corpo. O usuário deve usar uma faixa de tórax de frequência cardíaca ou manter as mãos em contato continuamente com os eletrodos de frequência cardíaca. O programa ajusta o nível de intensidade, baseado na frequência cardíaca real, para manter a frequência em 65% da máxima teórica. E usa o Índice de massa corporal (IMC) para medir a composição do seu corpo.	20:00	Idade, frequência cardíaca, controle da frequência cardíaca, velocidade máx. ou inclinação máx., tempo, peso, altura	Velocidade ou elevação
 TESTE DE APTIDÃO		A esteira Vision oferece testes de aptidão, o protocolo Gerkin para bombeiros. O protocolo Gerkin foi desenvolvido pelo Dr. Richard Gerkin do Departamento de Bombeiros de Phoenix (Arizona, EUA). É uma avaliação submáxima de esteira graduada usada por muitos departamentos de bombeiros nos Estados Unidos para avaliar a condição física dos bombeiros. O teste exige monitoramento constante da frequência cardíaca do usuário de forma que o uso de uma faixa de tórax telemétrica é altamente incentivado.	N/A	N/A	N/A

# TABELAS DOS PROGRAMAS

## TESTE DE APTIDÃO - GERKIN

Estágio	Tempo total	Velocidade mph	Inclinação %	VO2 máx. previsto (ml/kg/min)	VO2 máx. previsto METs
0 (aquecimento)	1:00	3,0	0	13,3	3,3
	2:00	3,0	0	13,3	3,3
	3:00	3,0	0	13,3	3,3
1	3:30	4,5	0	15,3	4,4
	4:00	4,5	0	17,4	5,0
2	4:30	4,5	2	19,4	5,5
	5:00	4,5	2	21,5	6,1
3	5:30	5,0	2	23,6	6,7
	6:00	5,0	2	27,6	7,9
4	6:30	5,0	4	28,7	8,2
	7:00	5,0	4	29,8	8,5
5	7:30	5,5	4	31,2	8,9
	8:00	5,5	4	32,7	9,3
6	8:30	5,5	6	33,9	9,7
	9:00	5,5	6	35,1	10,0
7	9:30	6,0	6	36,6	10,5
	10:00	6,0	6	38,2	10,9
8	10:30	6,0	8	39,5	11,3
	11:00	6,0	8	40,9	11,6
9	11:30	6,5	8	42,6	12,2
	12:00	6,5	8	44,3	12,7
10	12:30	6,5	10	45,7	13,1
	13:00	6,5	10	47,2	13,5
11	13:30	7,0	10	49,0	14,0
	14:00	7,0	10	50,8	14,5
12	14:30	7,0	12	52,3	14,9
	15:00	7,0	12	53,9	15,4
13	15:30	7,5	12	55,8	15,9
	16:00	7,5	12	57,8	16,5
14	16:30	7,5	14	59,5	17,0
	17:00	7,5	14	61,2	17,5
15	17:30	8,0	14	63,2	18,1
	18:00	8,0	14	65,3	18,7

## INTERVALADOS

SEGMENTO NÍVEL	1	2	3	4	5	6	7	8	9	10	11	12	13	14
	INCLINAÇÃO													
L1	1	1	2	1	2	1	3	1	2	1	2	1	1	1
L2	1	2	3	1	3	1	3	1	3	1	3	2	1	1
L3	1	2	3	1	3	1	4	1	3	1	3	2	1	1
L4	1	3	4	1	4	1	5	1	4	1	4	3	1	1
L5	2	3	5	2	5	2	5	2	5	2	5	3	2	2
L6	2	4	5	2	5	2	6	2	5	2	5	4	2	2
L7	2	4	6	2	6	2	7	2	6	2	6	4	2	2
L8	3	5	7	3	7	3	8	3	7	3	7	5	3	3
L9	3	5	8	3	8	3	9	3	8	3	8	5	3	3
L10	3	6	9	3	9	3	10	3	9	3	9	6	3	3

As informações dos mapas dos programas aleatórios são provenientes da tabela de intervalados.

VO2 máx. (ml/kg/min)		MULHERES				HOMENS			
RESULTADO DO TESTE	PERCENTUAL	20-29	30-39	40-49	50-59	20-29	30-39	40-49	50-59
<b>SUPERIOR</b>	99	>53,0	>48,7	>46,8	>42,0	>58,8	>58,9	>55,4	>52,5
	95	46,8	43,9	41,0	36,8	54,0	52,5	50,4	47,1
<b>EXCELENTE</b>	90	44,2	41,0	39,5	35,2	51,4	50,3	48,2	45,3
	80	41,0	38,6	36,3	32,3	48,2	46,8	44,1	41,0
<b>BOM</b>	70	38,1	36,7	33,8	30,9	46,8	44,6	41,8	38,5
	60	36,7	34,6	32,3	29,4	44,2	42,4	39,9	36,7
<b>RAZOÁVEL</b>	50	35,2	33,8	30,9	28,2	42,5	41,0	38,1	35,2
	40	33,8	32,3	29,5	26,9	41,0	38,9	36,7	33,8
<b>FRACO</b>	30	32,3	30,5	28,3	25,5	39,5	37,4	35,1	32,3
	20	30,6	28,7	26,5	24,3	37,1	35,4	33,0	30,2
<b>MUITO FRACO</b>	10	28,3	26,5	25,1	22,3	34,5	32,5	30,9	28,0
	5	25,9	25,1	23,5	21,1	31,6	30,9	28,3	25,1

### 1. Durante o teste

**1.1** Se o botão PARAR for pressionado, o instrumento terminará o teste e exibirá "TESTE TERMINADO".

**1.2** Quando HR (frequência cardíaca) > THR (frequência cardíaca alvo) exceder 15 segundos ou completar 18 minutos de teste, a máquina entrará em estado de "DESAQUECIMENTO" para terminar todas as ações do teste e exibirá os resultados do teste.

**1.3** Quando o AQUECIMENTO terminar, se a frequência cardíaca não for detectada, o instrumento mostrará "SENSORES DOS ELETRODOS DE FREQUÊNCIA CARDÍACA PERDIDOS". Se passarem mais de 20 segundos e a frequência cardíaca ainda não tiver sido detectada, a máquina terminará o teste e entrará em estado de DESAQUECIMENTO; e então exibirá "TESTE TERMINADO".

### 2. Resultados do teste:

Tempo total / calorias / número de estágios / nível do teste

### 3. THR = (220 - IDADE) x 0,85





## COMO COMEÇAR

- 1) Certifique-se de que nenhum objeto esteja colocado sobre a lona que impeça o movimento da esteira.
- 2) Conecte o cabo de alimentação e ligue a esteira.
- 3) Fique sobre os trilhos laterais da esteira.
- 4) Prenda o clipe da chave de segurança em uma parte de sua roupa certificando-se de que esteja firme e não se soltará durante a operação.

### A) INÍCIO RÁPIDO

Simplesmente pressione ► para começar o treino. O tempo será contado a partir de 0:00. O treino começa com inclinação e velocidade mínimas.

### B) SELECIONAR UM PROGRAMA

- 1) Selecione um programa usando as **TECLAS DE PROGRAMA** e pressione ✓.
- 2) Siga os avisos no **CENTRO DE INSTRUÇÕES** para definir as informações do programa de exercícios usando ▲ ▼ ou o **TECLADO NUMÉRICO**. Pressione ✓ após cada seleção.
- 3) Pressione ► para começar o treino.

NOTA: Você pode ajustar os níveis de velocidade e inclinação durante o seu treino.

### C) TERMINAR SEU TREINO

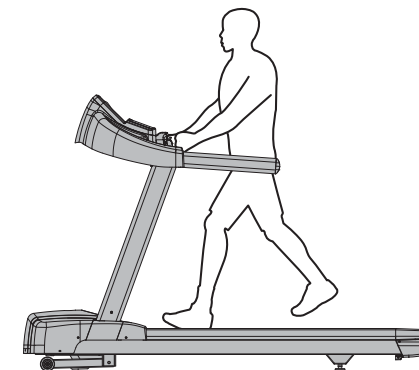
Quando o seu treino estiver concluído, suas informações de treino serão exibidas no console.

### PARA LIMPAR A SEÇÃO ATUAL

Para limpar a seleção atual do programa ou a tela, pressione e segure **PARAR** ■ por 3 segundos.

## USO ADEQUADO

Posicione seus pés sobre a lona, dobre levemente os braços e segure nos sensores de frequência cardíaca (como mostrado). Durante a corrida, seus pés devem estar localizados no centro da lona de forma que suas mãos possam balançar naturalmente e sem entrar em contato com os guidões dianteiros.



A sua esteira é capaz de alcançar altas velocidades. Sempre comece usando uma velocidade mais lenta e ajuste a velocidade em pequenos incrementos para atingir um nível de velocidade mais elevado. Nunca deixe a esteira sem atenção enquanto estiver funcionando. Quando não estiver em uso, desligue o interruptor de ligar/desligar e desconecte o cabo de alimentação. Certifique-se de seguir o programa de **MANUTENÇÃO** neste guia para manter o desempenho ideal e evitar falhas eletrônicas prematuras. Mantenha o seu corpo e a sua cabeça virados para a frente. Não tente virar ou olhar para trás enquanto a esteira estiver funcionando. Pare o seu exercício imediatamente se sentir dor, sensação de desmaio, tontura ou falta de ar.

## ANTES DE INICIAR

### LOCALIZAÇÃO DA ESTEIRA

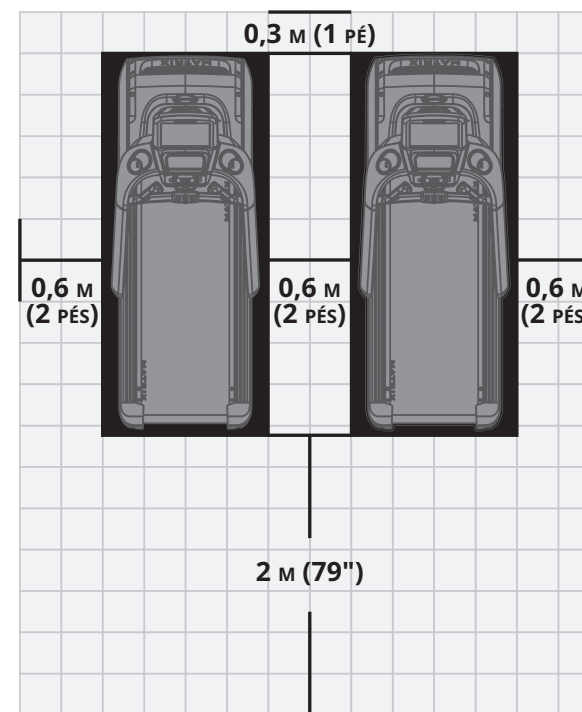
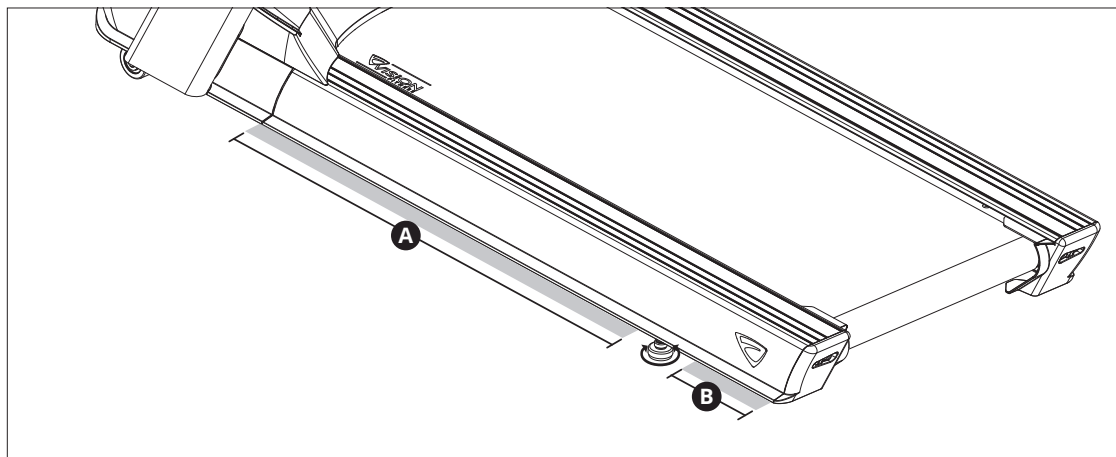
Coloque o equipamento em uma superfície nivelada e estável distante da luz direta do sol. A luz UV intensa pode causar descoloração nos plásticos. Posicione o equipamento em uma área com baixa temperatura e pouca umidade. Deixe uma zona livre atrás da esteira que seja de pelo menos a largura da esteira e de pelo menos 79" (2 m) de comprimento. Esta zona deve estar livre de qualquer obstrução e proporcionar ao usuário uma rota de saída da máquina. Para facilitar o acesso, deve haver um espaço acessível em ambos os lados da esteira de pelo menos 24" (0,6 m) para permitir que o usuário acesse a esteira de qualquer um dos lados. Não coloque a esteira em qualquer área que bloqueie aberturas de ventilação ou de ar. A esteira não deve estar localizada em garagem, pátio coberto, perto de água ou ao ar livre.

### NIVELAMENTO DA ESTEIRA

É extremamente importante que os niveladores estejam ajustados corretamente para operação adequada. Gire o pé de nivelamento no sentido horário para abaixar e no sentido anti-horário para elevar a esteira. Ajuste cada lado, se necessário, até a esteira estar nivelada. Uma unidade desbalanceada pode causar mau alinhamento da lona ou outros problemas. O uso de um nivelador é recomendado.

### MOVIMENTAÇÃO DA ESTEIRA

Para evitar dano a peças ao movimentar a esteira, levante somente a partir da área **A** ou **B** como mostrado na imagem.



### AVISO!

Nosso equipamento é pesado, assim tome cuidado e, se necessário, peça ajuda ao movê-lo. Falha em seguir estas instruções pode causar ferimentos. Nunca opere o equipamento se o cabo ou plugue estiver danificado, se não funcionar de acordo, se tiver sido danificado ou imerso em água. Entre em contato com o Suporte Técnico ao Cliente para inspeção e reparo.





## TENSIONAMENTO DA LONA

Depois de posicionar a esteira na posição que será usada, a lona deve ser verificada quanto à tensão e centralização adequadas. A lona pode necessitar de ajuste após as duas primeiras horas de utilização. A temperatura, a umidade e o uso fazem com que a lona estique em taxas diferentes. Se a lona começar a deslizar quando um usuário estiver sobre ela, certifique-se de seguir as instruções abaixo.

- 1) Localize os dois parafusos de cabeça sextavada na parte traseira da esteira. Os parafusos estão localizados em cada extremidade da estrutura na parte traseira da esteira. Estes parafusos ajustam o rolo traseiro da lona. Não ajuste até a esteira estar ligada. Isso impedirá o aperto excessivo de um lado.
- 2) A lona deve ter uma distância igual em ambos os lados entre a estrutura. Se o lona estiver tocando em um lado, não inicie a esteira. Gire os parafusos no sentido anti-horário aproximadamente uma volta completa em cada lado. Centralize manualmente a lona empurrando-a de um lado para o outro até que fique paralela aos trilhos laterais. Aperte os parafusos o mesmo tanto de quando o usuário os afrouxou, aproximadamente uma volta completa. Inspeccione a lona quanto a danos.
- 3) Inicie a lona da esteira pressionando o botão INICIAR. Aumente a velocidade para 3 mph (aprox. 4,8 km/h) e observe a posição da lona. Se ela estiver se movendo para a direita, aperte o parafuso direito, girando-o no sentido horário em  $\frac{1}{4}$  de volta, e afrouxe o parafuso esquerdo em  $\frac{1}{4}$  de volta. Se ela estiver se movendo para a esquerda, aperte o parafuso esquerdo, girando-o no sentido horário em  $\frac{1}{4}$  de volta, e afrouxe o parafuso direito em  $\frac{1}{4}$  de volta. Repita o passo 3 até a lona ficar centralizada por vários minutos.
- 4) Verifique a tensão da lona. A lona deve estar ajustada perfeitamente. Quando uma pessoa caminha ou corre sobre a lona, esta não deve hesitar nem deslizar. Se isso ocorrer, aperte a lona girando os dois parafusos no sentido horário em  $\frac{1}{4}$  de volta. Repita, se necessário.

**NOTA:** Use a tira laranja na posição lateral dos trilhos laterais como critério para confirmar se a lona está adequadamente centralizada. É necessário ajustar a lona até que a borda da lona fique paralela à tira laranja ou branca.

### AVISO!

Não opere a lona mais rápido do que 3 mph (aprox. 4,8 km/h) durante a centralização. Mantenha dedos, cabelos e roupas longe da lona em todos os momentos.

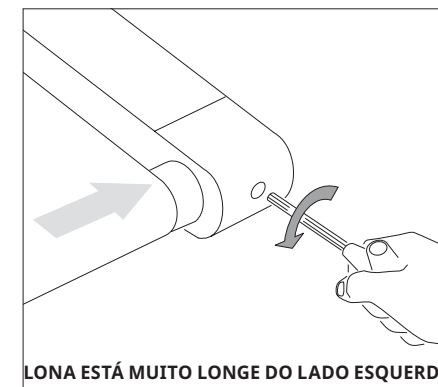
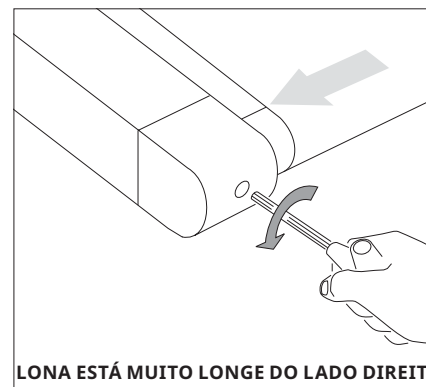
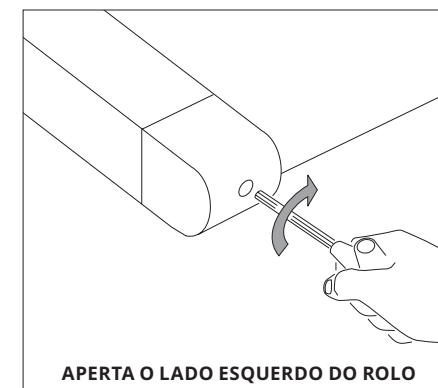
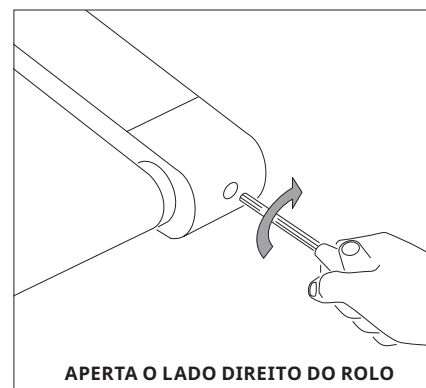
As esteiras são equipadas com corrimãos laterais e guidão dianteiro para apoio ao usuário e descida de emergência; pressione o botão de emergência para parar a máquina para descida de emergência.

### ANTES DE USAR A ESTEIRA

Realize a configuração inicial e calibre a esteira usando o recurso de calibração automática que se encontra no "Modo de Gerenciador" ou "Modo de Engenharia".

#### NOTAS:

- NÃO fique sobre a lona enquanto a sequência de calibração automática estiver em andamento.
- NÃO ajuste a inclinação até a configuração inicial e a calibração automática estarem concluídas.
- NÃO inicie a lona da esteira nem pressione qualquer botão até estar direcionada durante o tensionamento da lona.





## CUIDADO!

### RISCO DE FERIMENTOS ÀS PESSOAS

Enquanto estiver se preparando para usar a esteira, não fique sobre a lona. Coloque seus pés sobre os trilhos laterais antes de iniciar a esteira. Comece a caminhar na lona somente após a esteira começar a se mover. Nunca comece a esteira em uma velocidade rápida nem tente pular sobre ela! Em caso de emergência, coloque ambas as mãos nos apoios laterais de braço para se erguer e coloque seus pés nos trilhos laterais.

### UTILIZAÇÃO DA CHAVE DE SEGURANÇA

Sua esteira não iniciará a menos que o botão de parada de emergência esteja restabelecido. Prenda a ponta do clipe de forma segura na sua roupa. Esta chave de segurança foi projetada para cortar a energia para a esteira caso você caia. Verifique o funcionamento da chave de segurança a cada 2 semanas.

### AVISO!

Nunca use a esteira sem prender o clipe da chave de segurança na sua roupa. Puxe o clipe da chave de segurança primeiro para se certificar de que não saia da sua roupa.

Só acione o sentido inverso da lona em um ambiente supervisionado. A velocidade padrão máxima da lona é de 2 mph e deve ser alterada somente por um técnico autorizado.

A sua esteira é capaz de alcançar altas velocidades. Sempre comece usando uma velocidade mais lenta e ajuste a velocidade em pequenos incrementos para atingir um nível de velocidade mais elevado. Nunca deixe a esteira sem atenção enquanto estiver funcionando. Quando não estiver em uso, desligue o interruptor de ligar/desligar e desconecte o cabo de alimentação. Certifique-se de seguir o programa de MANUTENÇÃO neste guia para manter o desempenho ideal e evitar falhas eletrônicas prematuras. Mantenha o seu corpo e a sua cabeça virados para a frente. Não tente virar ou olhar para trás enquanto a esteira estiver funcionando. Pare o seu exercício imediatamente se sentir dor, sensação de desmaio, tontura ou falta de ar.

## UTILIZAÇÃO DA FUNÇÃO DE FREQUÊNCIA CARDÍACA

A função de frequência cardíaca neste produto não é a de um aparelho médico. Embora eletrodos de frequência cardíaca possam proporcionar uma estimativa relativa de sua frequência cardíaca real, eles não são confiáveis quando leituras precisas são necessárias. Algumas pessoas, incluindo aquelas em um programa de reabilitação cardíaca, podem se beneficiar do uso de um sistema de monitoração alternativo da frequência cardíaca como uma faixa de tórax ou pulseira. Vários fatores, incluindo movimento do usuário, podem afetar a precisão da leitura de sua frequência cardíaca. A leitura da frequência cardíaca é destinada somente como uma ajuda ao exercício na determinação das tendências da frequência cardíaca em geral. Consulte seu médico.

### ELETRODOS DE PULSO

Coloque as palmas de suas mãos diretamente nos guidões com eletrodos de pulso. Ambas as mãos devem agarrar os sensores para registrar sua frequência cardíaca. São contados 5 batimentos cardíacos consecutivos (15-20 segundos) para sua frequência cardíaca ser registrada. Ao agarrar o eletrodo de pulso, não aperte com força. Continuar apertando os eletrodos pode elevar a pressão arterial. Mantenha as mãos soltas em forma de curva. Você pode ter uma leitura incorreta se segurar consistentemente o eletrodo de pulso. Certifique-se de limpar os sensores de pulso para garantir que o contato adequado pode ser mantido. Os eletrodos de pulso foram projetados somente para a finalidade de detectar o pulso.

### AVISO!

O sistema de monitoração da frequência cardíaca pode ser impreciso. O exercício excessivo pode causar lesões graves ou morte. Se você sentir dor, pare imediatamente de se exercitar.

## ESPECIFICAÇÕES DO PRODUTO

Peso máximo do usuário	182 kg / 400 lb
Peso do produto	178 kg / 392 lb
Peso de envio	210 kg / 462 lb
Dimensões totais (C x L x A)*	215 x 91 x 154 cm / 85" x 36" x 61"

\* Garanta uma largura mínima de espaço de 0,6 m (24") para acesso e passagem ao redor do equipamento VISION. Note que 0,91 m (36") é a largura recomendada de espaço pela ADA (Americans With Disabilities Act [Lei dos Americanos Portadores de Deficiência]) para pessoas em cadeiras de rodas.





# MANUTENÇÃO

Qualquer remoção ou substituição de peças deve ser realizada por um técnico de serviço qualificado.

- 1) NÃO utilize nenhum equipamento que esteja danificado ou tenha peças gastas ou quebradas. Utilize apenas peças de reposição fornecidas pelo seu distribuidor local VISION.
- 2) CONSERVE AS ETIQUETAS E PLACAS: Não remova etiquetas por razão alguma. Elas contêm informações importantes. Se estiverem ilegíveis ou ausentes, entre em contato com seu distribuidor VISION para substituição.
- 3) FAÇA A MANUTENÇÃO DE TODO O EQUIPAMENTO: A manutenção preventiva é a chave para o bom funcionamento do equipamento bem como para manter sua mínima confiabilidade. O equipamento precisa ser inspecionado em intervalos regulares.
- 4) Assegure-se de que qualquer pessoa, que faz ajustes ou realiza manutenção ou reparo de qualquer tipo, seja qualificada para este fim. Os distribuidores VISION prestarão serviços bem como farão treinamento de manutenção em nossas instalações, havendo solicitação.

## AVISO!

Para desligar a energia da esteira, o cabo de alimentação deve ser desconectado da tomada da parede.

## DICAS DE LIMPEZA RECOMENDADAS

A manutenção preventiva e a limpeza diária prolongarão a vida e a aparência do seu equipamento.

- 1) Use um pano de algodão macio e limpo. NÃO use toalhas de papel para limpar as superfícies da esteira. As toalhas de papel são abrasivas e podem danificar as superfícies.
- 2) Use sabão neutro e pano úmido. NÃO utilize detergente à base de amônia nem álcool. Isso causará a descoloração do alumínio e dos plásticos que entram em contato com ele.
- 3) Não despeje água ou soluções de limpeza em nenhuma superfície. Isso pode causar eletrocussão.
- 4) Limpe o console, o eletrodo de frequência cardíaca, os guidões e os trilhos laterais após cada uso.
- 5) Escove afastado todos os depósitos da cera da área da plataforma e da lona. Esta é uma ocorrência comum até que a cera se integre no material da lona.
- 6) Certifique-se de remover quaisquer obstruções do caminho das rodas de elevação incluindo cabos de alimentação.

Para limpar as telas táteis, use água destilada em um frasco borrifador. Borrife água destilada no pano macio, limpo e seco, e limpe a tela até ficar limpa e seca. Para telas muito sujas, recomenda-se adicionar vinagre.

## CUIDADO!

Certifique-se de ter a assistência adequada para instalar e mover a unidade a fim de evitar prejuízos ou danos à esteira.

## PROGRAMA DE MANUTENÇÃO

AÇÃO	FREQUÊNCIA
Desconecte a unidade. Limpe toda a máquina utilizando água e sabão neutro ou outra solução aprovada (os agentes de limpeza não devem conter álcool nem amônia).	DIARIAMENTE
Inspeccione o cabo de alimentação. Se o cabo de alimentação estiver danificado, entre em contato com o Suporte Técnico ao Cliente.	DIARIAMENTE
Certifique-se de que o cabo de alimentação não esteja embaixo da unidade ou em qualquer outra área onde possa ficar preso ou cortado durante o armazenamento ou uso.	DIARIAMENTE
Desconecte a esteira e remova a cobertura do motor. Verifique se há detritos e limpe com um pano seco ou pequeno bocal de aspiração. <b>AVISO:</b> Não conecte a esteira até a cobertura do motor ser reinstalada.	MENSALMENTE
Para consoles com telas táteis, acesse o modo de serviço e selecione "teste". Selecione "calibração do toque" e depois selecione "início". Siga as orientações na tela e toque na tela quando for indicado.	TRIMESTRALMENTE
Limpe os sensores IR (localizados nas hastes de console) com um cotonete, esfregando com álcool.	TRIMESTRALMENTE

## SUBSTITUIÇÃO DA PLATAFORMA E DA LONA

Um dos itens mais comuns de desgaste em uma esteira é a combinação de plataforma e lona. Se estes dois itens não forem submetidos a manutenção corretamente, eles podem causar danos a outros componentes. Este produto foi fornecido com o mais avançado sistema de lubrificação livre de manutenção do mercado.

## AVISO!

Não opere a esteira durante a limpeza da lona e da plataforma. Isso pode causar prejuízos graves e pode danificar a máquina. Realize manutenção na lona e na plataforma limpando as laterais da lona e da plataforma com um pano limpo. O usuário também pode limpar por baixo da lona 2 polegadas (aprox. 51 mm) em ambos os lados removendo qualquer poeira ou detrito. A plataforma pode ser virada e reinstalada ou substituída por um técnico de serviço autorizado. Entre em contato com a Vision Fitness Systems para obter mais informações.



РУССКИЙ



# ВАЖНЫЕ МЕРЫ ПРЕДОСТОРОЖНОСТИ

## СОХРАНИТЕ ЭТИ ИНСТРУКЦИИ

- При использовании беговой дорожки всегда следует соблюдать основные меры предосторожности, включая следующие: Внимательно прочтите все инструкции перед началом использования оборудования. Владелец обязан обеспечить, чтобы все пользователи оборудования были надлежащим образом проинформированы обо всех предупреждениях и мерах предосторожности.
- Это оборудование предназначено для коммерческого использования. Для обеспечения безопасности пользователей и защиты оборудования внимательно прочтите все инструкции перед началом эксплуатации.

## ОПАСНОСТЬ!

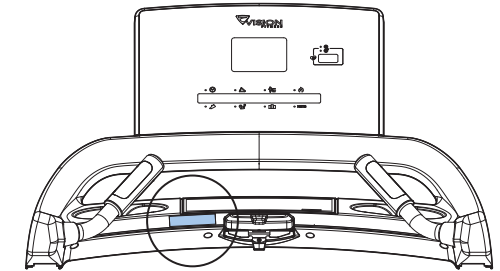
### Для СНИЖЕНИЯ РИСКА ПОРАЖЕНИЯ ЭЛЕКТРИЧЕСКИМ ТОКОМ:

- Всегда отключайте оборудование от электрической розетки сразу после использования, перед чисткой, при выполнении технического обслуживания, а также при монтаже и демонтаже деталей.

## ПРЕДУПРЕЖДЕНИЕ!

### Для УМЕНЬШЕНИЯ РИСКА ОЖОГОВ, ПОЖАРОВ, ПОРАЖЕНИЙ ЭЛЕКТРИЧЕСКИМ ТОКОМ ИЛИ ТРАВМ:

- Неправильная или чрезмерная физическая нагрузка может привести к травме. Если вы ощущаете какую-либо боль, включая боль в груди, тошноту, головокружение или одышку, немедленно прекратите упражнения и перед их продолжением обратитесь за консультацией к врачу.
- Во время тренировки всегда поддерживайте комфортный темп.
- Не носите одежду, которая может застрять в какой-либо части беговой дорожки.
- При использовании данного тренажера носите надлежащую обувь (т. е. спортивную).
- Не прыгайте на беговой дорожке.
- При эксплуатации тренажера на нем не должно находиться более одного человека.
- Данная беговая дорожка не должна использоваться лицами, вес которых превышает указанный в РАЗДЕЛЕ «ТЕХНИЧЕСКИЕ ХАРАКТЕРИСТИКИ» РУКОВОДСТВА ПОЛЬЗОВАТЕЛЯ. Невыполнение этих условий ведет к отмене гарантии.
- Перед обслуживанием или перемещением оборудования отключите питание.
- Для очистки промывайте поверхности с мылом и слегка влажной тряпкой; ни в коем случае не используйте растворители. (См. ТЕХНИЧЕСКОЕ ОБСЛУЖИВАНИЕ.)
- Отключайте оборудование от розетки, если оно не используется, а также перед установкой и снятием деталей.
- Подключайте этот тренажер только к правильно заземленной розетке.
- Не снимайте защитные крышки, если это не указано специалистами и местным дилером оборудования. Обслуживание должно выполняться только авторизованным сервисным специалистом.
- Установка деталей или аксессуаров, изначально не предназначенных для данного оборудования или не совместимых с ним, небезопасна и может привести к отмене гарантии.
- Измеренный на высоте головы (человека стандартного роста) средневзвешенный уровень звукового давления во время работы беговой дорожки при скорости 12 км/час (без нагрузки) составляет не более 70 дБ.
- Шумовое воздействие под нагрузкой выше шумового воздействия без нагрузки.
- Домашние животные или дети в возрасте до 14 лет НИ ПРИ КАКИХ УСЛОВИЯХ не должны приближаться к беговой дорожке на расстояние менее 3 метров.
- Дети в возрасте до 14 лет НИ ПРИ КАКИХ УСЛОВИЯХ не должны пользоваться беговой дорожкой.
- Детям в возрасте более 14 лет не разрешается пользоваться беговой дорожкой без контроля со стороны взрослых.
- Данное оборудование не предназначено для использования людьми с ограниченными физическими, сенсорными и ментальными способностями, а также людьми с недостатком опыта или знаний, за исключением случаев, когда оборудование используется под наблюдением или после соответствующего инструктажа, проводимого лицом, отвечающим за их безопасность.
- Используйте беговую дорожку только в целях, указанных в руководстве пользователя.
- Запрещается эксплуатация беговой дорожки, если у нее поврежден шнур или вилка, если она не работает должным образом, повреждена, подвергалась падениям или погружалась в воду. Для проведения осмотра и ремонта обратитесь в службу технической поддержки клиентов.
- Во избежание удара электрическим током данный тренажер должен подсоединяться только к электрической цепи с бесконтактным (изолированным) заземлением.
- Держите шнур питания подальше от нагретых поверхностей. Не переносите это устройство, держа его за шнур питания, и не используйте шнур в качестве ручки.
- Запрещается эксплуатировать беговую дорожку, если заблокированы отверстия для выпуска воздуха. Вентиляционное отверстие для воздуха должно быть чистым и свободным от ворса, волос и т. п.
- Во избежание поражения электрическим током никогда не роняйте и не вставляйте какие-либо предметы в отверстия.
- Запрещается эксплуатировать тренажер в зоне распыления аэрозолей (спреев) или подачи кислорода.
- Чтобы отключить, поверните все элементы управления в положение «выключено», затем выньте вилку из розетки.
- Не используйте беговую дорожку в помещениях, в которых отсутствует температурный контроль, например в гаражах, на верандах, в помещениях при бассейнах, ванных комнатах, на крытых парковках или на улице. Невыполнение этих условий может привести к отмене гарантии.
- Демонтаж съемных предохранительных панелей должен выполнять ТОЛЬКО квалифицированный специалист по сервисному обслуживанию. Убедитесь в том, что после монтажа съемных панелей крепежные элементы установлены заново надлежащим образом.
- Во избежание травм встаньте на боковые опоры перед включением беговой дорожки.
- Возможны погрешности систем мониторинга ЧСС.
- Изнуряющие упражнения могут привести к тяжелым травмам или летальному исходу.
- Если вы чувствуете близость обморока, немедленно прекратите упражнения.
- Во избежание ненадлежащего соединения сетевого шнура с гнездом питания оборудования установите фиксатор для сетевого шнура после того, как к оборудованию был подсоединен сетевой шнур.



НАКЛЕЙКА-ПРЕДУПРЕЖДЕНИЕ  
РАСПОЛОЖЕНА ЗДЕСЬ

## ВНИМАНИЕ!

### ПЕРЕД НАЧАЛОМ ИСПОЛЬЗОВАНИЯ ОБОРУДОВАНИЯ ПРОЙДИТЕ МЕДИЦИНСКОЕ ОБСЛЕДОВАНИЕ. ПЕРЕД ИСПОЛЬЗОВАНИЕМ ТРЕНАЖЕРА ПРОЧТИТЕ РУКОВОДСТВО ПОЛЬЗОВАТЕЛЯ.

- Оборудование разрешается использовать только в помещениях, в условиях контролируемого микроклимата. Если это оборудование подвергалось воздействию низких температур или высокой влажности, настоятельно рекомендуется перед первым использованием прогреть его до комнатной температуры. Несоблюдение этих требований может привести к преждевременному выходу электронного оборудования из строя. Начальная (по умолчанию) стартовая скорость составляет 0,8 км/ч (0,5 миль/ч). Установка высокой стартовой скорости по умолчанию может быть опасной для пользователя.

# ТРЕБОВАНИЯ К ИСТОЧНИКУ ПИТАНИЯ

## ВЫДЕЛЕННАЯ ЦЕПЬ И ИНФОРМАЦИЯ ПО ЭЛЕКТРООБОРУДОВАНИЮ

«Выделенная цепь» означает, что к любой розетке, к которой вы подключаетесь, не должно быть подключено никакого другого оборудования, которое работает в той же цепи. Самый простой способ проверить это — найти главную коробку выключателей и отключать выключатели по одному за раз. Когда выключатель отключен, только то оборудование, о котором идет речь, не должно иметь питания. При выполнении этого теста не должны отключаться никакие лампы, торговые автоматы, вентиляторы, звуковые системы или любые другие изделия. Бесконтурная (изолированная) нейтраль/заземление означает, что каждая цепь должна иметь индивидуальное нейтральное/заземляющее соединение, выходящее от нее и заканчивающееся на утвержденном заземлении. Вы не можете «перемыкать» единственную нейтраль/заземление от одной цепи к другой.

## ЭЛЕКТРИЧЕСКИЕ ТРЕБОВАНИЯ

Для вашей безопасности и обеспечения надлежащих характеристик беговой дорожки заземление на этой цепи не должно иметь контуров (должно быть изолированным). См. NEC, статьи 210-21 и 210-23. Данная беговая дорожка поставляется с сетевым шнуром с нижеуказанной вилкой и требует указанную сетевую розетку. Любые модификации данного шнура питания могут привести к аннулированию всех гарантий для данного продукта.

## УСТРОЙСТВА НАПРЯЖЕНИЕМ 220 В

Все беговые дорожки Vision напряжением 220 В требуют использования для питания «выделенного контура» 216–250 В, 50 Гц и 20 А с бесконтурной (изолированной) нейтралью/заземлением. Розетка должна относиться к типу NEMA 6-20R и иметь ту же конфигурацию, что и вилка. Адаптеры с этим продуктом не применяются.

## ИНСТРУКЦИИ ПО ЗАЗЕМЛЕНИЮ

Устройство должно быть заземлено. При возникновении неисправности или повреждении устройства заземление обеспечивает путь наименьшего сопротивления электрическому току, чтобы снизить риск поражения электрическим током. Устройство оснащено шнуром, имеющим заземляющий проводник оборудования и заземляющую вилку. Вилка должна быть подключена к соответствующей розетке, которая правильно установлена и заземлена в соответствии со всеми местными правилами и постановлениями. Невыполнение пользователем этих инструкций по заземлению может привести к аннулированию ограниченной гарантии на Vision.

## ДОПОЛНИТЕЛЬНАЯ ЭЛЕКТРИЧЕСКАЯ ИНФОРМАЦИЯ

В дополнение к требованию выделенной цепи необходимо использовать провод подходящего сечения от коробки автоматического выключателя до каждой розетки, к которой будет подключено максимальное количество устройств. Если расстояние от блока автоматического выключателя до каждой розетки составляет 100 футов (30,5 м) или меньше, следует использовать провод 12-го калибра. Для расстояний от блока автоматического выключателя до розетки, превышающих 100 футов (30,5 м), следует использовать провод 10-го калибра.

## ЭНЕРГОСБЕРЕГАЮЩИЙ РЕЖИМ

Все устройства сконфигурированы с возможностью перехода в энергосберегающий режим, если устройство не использовалось в течение определенного периода времени. После перехода устройства в режим низкого энергопотребления может потребоваться дополнительное время для его полного повторного включения. Эта функция энергосбережения может быть включена или отключена в режиме «Диспетчер» или «Инженер».

## ПРЕДУПРЕЖДЕНИЕ!

Подключайте этот тренажер только к правильно заземленной розетке.

- Никогда не работайте с поврежденным шнуром или вилкой, даже если оборудование работает правильно. Не используйте изделие с признаками повреждений или погружения в воду. Обратитесь в службу технической поддержки клиентов для замены или ремонта.

Несоблюдение этих требований может привести к повреждению изделия и аннулированию гарантии:

- В день поставки/сборки продукта все разъемы видео/питания должны функционировать. Клиент несет ответственность за любые дополнительные расходы при установке, связанные с повторными посещениями.
- Электрическое питание в вашем регионе может колебаться. Для обеспечения стабильной работы изделия используйте проводку надлежащего калибра.

## ОПАСНОСТЬ!

Неправильное подключение заземляющего провода оборудования может привести к риску поражения электрическим током. В случае сомнений относительно правильности заземления изделия проконсультируйтесь с квалифицированным электриком или специалистом по техническому обслуживанию. Не модифицируйте вилку, поставляемую с изделием. Если она не подходит к розетке, пригласите квалифицированного электрика для установки надлежащей розетки.





## СБОРКА

### РАСПАКОВКА

Распаковывайте оборудование в том месте, в котором планируется его эксплуатировать. Установите коробку на ровную плоскую поверхность. Рекомендуется положить на пол защитное покрытие. Ни в коем случае не открывайте коробку, лежащую на боку.

### ВАЖНЫЕ ПРИМЕЧАНИЯ

Во время каждого этапа сборки контролируйте, чтобы ВСЕ гайки и болты находились на своих местах и были частично закручены. Некоторые детали предварительно смазаны для облегчения их сборки и использования. Не стирайте эту смазку. Если возникают сложности, нанесите тонкий слой литиевой консистентной смазки.

### ПРЕДУПРЕЖДЕНИЕ!

Некоторым моментам необходимо уделить особое внимание в процессе сборки. Очень важно соблюдать инструкции по сборке и надежно затягивать все детали. Если не соблюдать инструкции по сборке, то в оборудовании могут остаться незатянутые детали, которые ослабнут и могут вызывать раздражающие шумы. Во избежание повреждения оборудования необходимо пересмотреть инструкции по сборке и принять корректирующие меры.

### НУЖНА ПОМОЩЬ?

Если у вас есть вопросы или отсутствуют какие-либо детали, обратитесь в службу технической поддержки клиентов. Контактная информация на сайте [world.visionfitness.com](http://world.visionfitness.com).

## НЕОБХОДИМЫЕ ИНСТРУМЕНТЫ

- Т-образный накидной гаечный ключ 8 мм
- Шестигранный торцевой ключ 8 мм
- Шестигранный торцевой ключ 6 мм
- Крестообразная отвертка

## ДЕТАЛИ В КОМПЛЕКТЕ

- 1 основная рама
- 1 цоколь панели управления, комплект
- 1 блок панели управления
- 2 стойки панели управления
- 2 ручки
- 1 шнур питания
- 1 комплект крепежных элементов

# 1

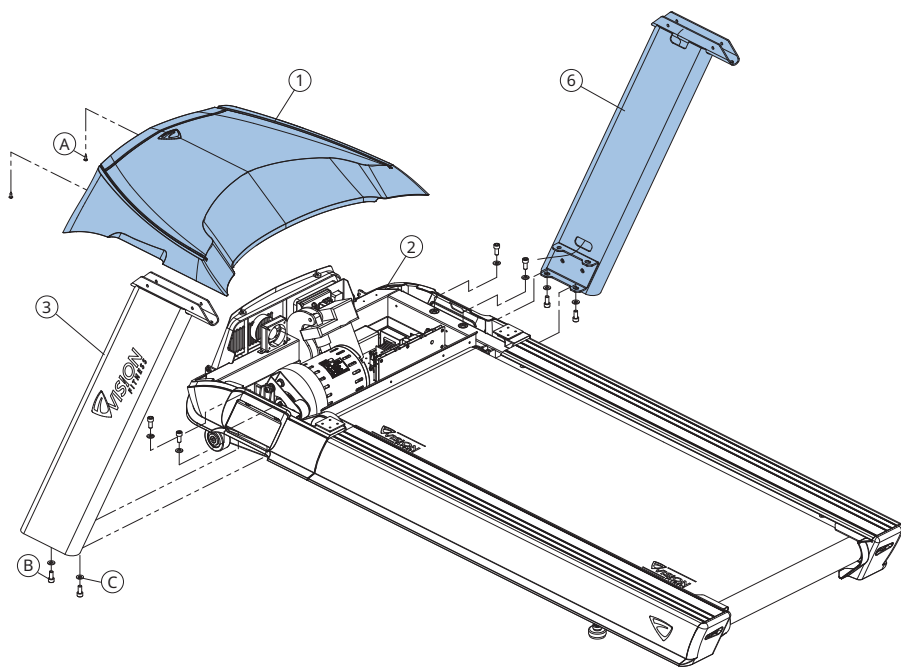
**ВАЖНО! Не затягивайте болты до завершения шага 3.**

- Снимите два предустановленных винта (A) и затем снимите **КРЫШКУ МОТОРА (1)**.
- Достаньте **КРЕПЕЖНЫЕ ИЗДЕЛИЯ ДЛЯ ВЫПОЛНЕНИЯ ШАГА 1**.
- Закрепите **ЛЕВУЮ СТОЙКУ ПАНЕЛИ УПРАВЛЕНИЯ (3)** на **ОСНОВНОЙ РАМЕ (2)** с использованием **4 болтов (B)** и **4 ПЛОСКИХ ШАЙБ (C)** сверху и снизу.
- Закрепите **ПРАВУЮ СТОЙКУ ПАНЕЛИ УПРАВЛЕНИЯ (6)** на **ОСНОВНОЙ РАМЕ (2)** с использованием **4 болтов (B)** и **4 ПЛОСКИХ ШАЙБ (C)** сверху и снизу.

**ПРИМЕЧАНИЕ.** Осторожно! Не защемляйте провода во время закрепления ручки.

**Крепежные изделия для выполнения шага 1**

Описание	Кол-во
A Предустановленный винт	2
B Болт	8
C Плоская шайба	8

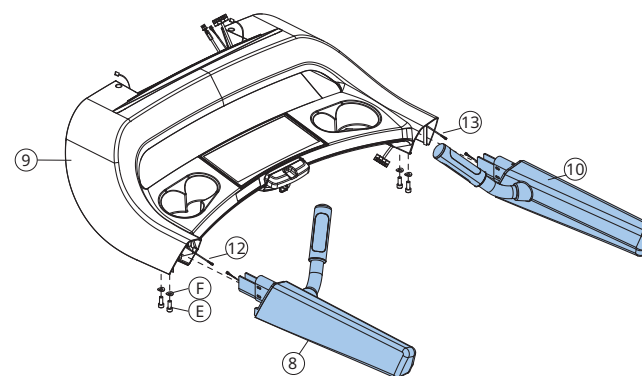


# 2

- Достаньте **КРЕПЕЖНЫЕ ИЗДЕЛИЯ ДЛЯ ВЫПОЛНЕНИЯ ШАГА 2**.
- Подсоедините **ПРОВОД РУЧКИ ДЛЯ ИЗМЕРЕНИЯ ПУЛЬСА (12)**, снимите стяжку провода, заведите кабели внутрь **ЛЕВОЙ РУЧКИ (8)** и вставьте в **ЦОКОЛЬ ПАНЕЛИ УПРАВЛЕНИЯ (9)**.
- Подсоедините **ПРОВОД РУЧКИ ДЛЯ ИЗМЕРЕНИЯ ПУЛЬСА (13)**, снимите стяжку провода, заведите кабели внутрь **ПРАВОЙ РУКОЯТКИ (10)** и вставьте в **ЦОКОЛЬ ПАНЕЛИ УПРАВЛЕНИЯ (9)**.
- Присоедините **РУЧКИ (8 и 10)** к **ЦОКОЛЮ ПАНЕЛИ УПРАВЛЕНИЯ (9)** с использованием **4 болтов (E)** и **4 ИЗОГНУТЫХ ШАЙБ (F)**.

**Крепежные изделия для выполнения шага 2**

Описание	Кол-во
E Болт	4
F Изогнутая шайба	4



РУССКИЙ

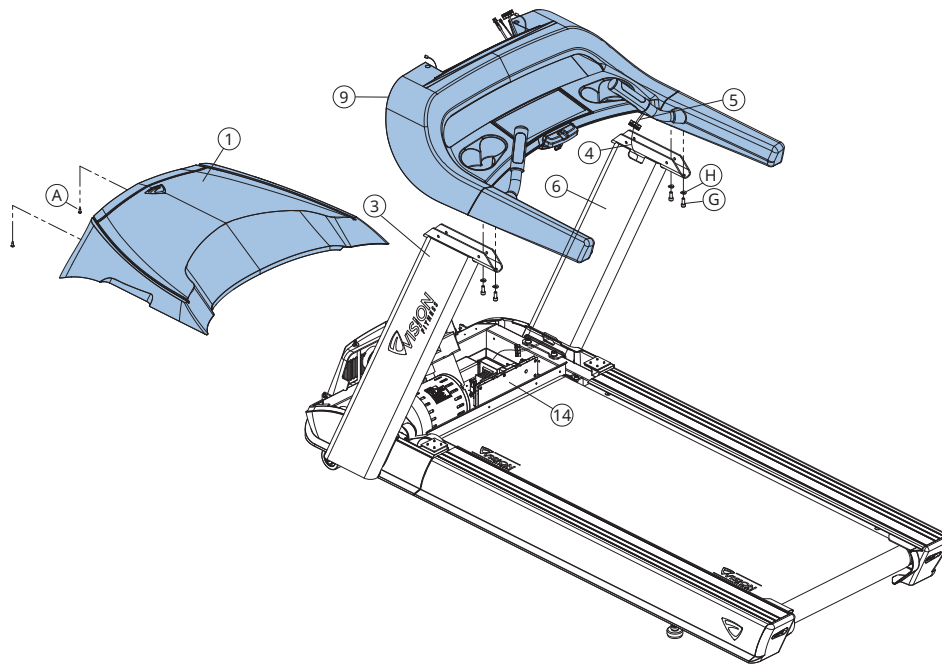


**3**

- Достаньте **КРЕПЕЖНЫЕ ИЗДЕЛИЯ ДЛЯ ВЫПОЛНЕНИЯ ШАГА 3**.
- Прикрепите **ПИТАЮЩИЙ ПРОВОД (4)** к **КАБЕЛЮ ПАНЕЛИ УПРАВЛЕНИЯ (5)** и протяните питающий провод через **ПРАВУЮ СТОЙКУ ПАНЕЛИ УПРАВЛЕНИЯ (6)**. После протягивания питающего провода через стойку кабель консоли должен быть подключен к **МСВ (14)**. Отсоедините и снимите питающий провод.
- Присоедините **ЦОКОЛЬ ПАНЕЛИ УПРАВЛЕНИЯ (9)** к **СТОЙКАМ ПАНЕЛИ УПРАВЛЕНИЯ (3 и 6)** с использованием **4 БОЛТОВ (G)** и **4 ИЗОГНУТЫХ ШАЙБ (H)**.
- Затяните все болты с шага 1 по 3.
- Установите **КРЫШКУ МОТОРА (1)** с использованием 2 предустановленных винтов (A).

Крепежные изделия  
для выполнения шага 3

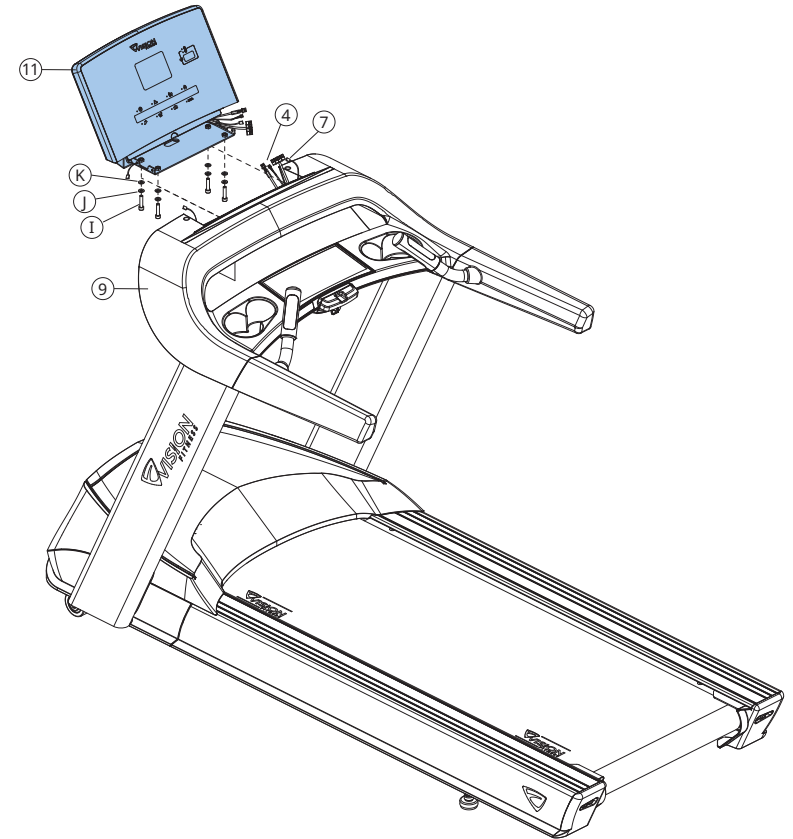
Описание	Кол-во
G Болт	4
H Изогнутая шайба	4

**4**

- Достаньте **КРЕПЕЖНЫЕ ИЗДЕЛИЯ ДЛЯ ВЫПОЛНЕНИЯ ШАГА 4**.
- Присоедините **КАБЕЛИ ПАНЕЛИ УПРАВЛЕНИЯ (4)** и **ПРОВОДА РУЧКИ ДЛЯ ИЗМЕРЕНИЯ ПУЛЬСА (7)** к **ПАНЕЛИ УПРАВЛЕНИЯ (11)** и осторожно заведите оставшийся кабель внутрь **ЦОКОЛЯ ПАНЕЛИ УПРАВЛЕНИЯ (9)**.
- Присоедините **ПАНЕЛЬ УПРАВЛЕНИЯ (11)** к **ЦОКОЛЮ ПАНЕЛИ УПРАВЛЕНИЯ (9)** с использованием **4 БОЛТОВ (I)**, **4 ПРУЖИННЫХ ШАЙБ (J)** и **4 ПЛОСКИХ ШАЙБ (K)**.

Крепежные изделия  
для выполнения шага 4

Описание	Кол-во
I Болт	4
J Пружинная шайба	4
K Плоская шайба	4





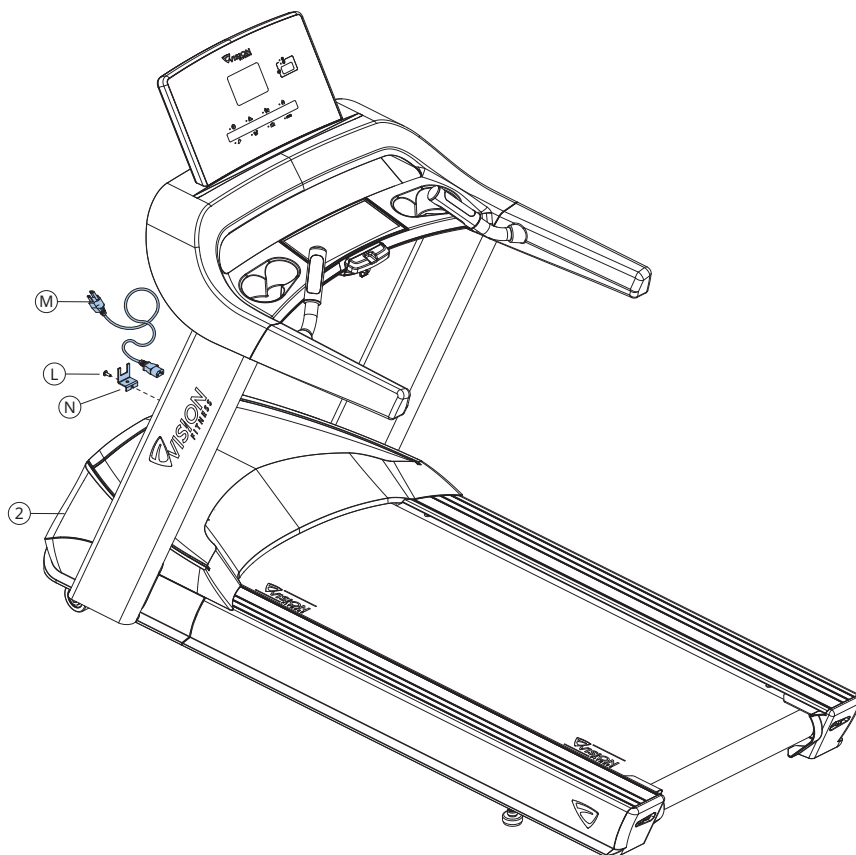
# 5

- Вставьте **ШНУР ПИТАНИЯ (М)** в **ОСНОВНУЮ РАМУ (2)**.
- Установите **ПРИЖИМНУЮ ПЛАНКУ ШНУРА ПИТАНИЯ (N)** на **ОСНОВНОЙ РАМЕ (2)** с использованием **одного ВИНТА (L)**.

Крепежные изделия  
для выполнения шага 5

Описание	Кол-во
L Винт	1
M Шнур питания	1
N Прижимная планка шнура питания	1

**СБОРКА ЗАВЕРШЕНА!**





## РАБОТА С ПАНЕЛЬЮ УПРАВЛЕНИЯ

### A ОКНО ПРОФИЛЯ ПРОГРАММЫ

Отображает профиль используемой программы (значение скорости для программ, основанных на скорости, и значение наклона для программ, основанных на наклоне).

### B ЦЕНТР ЧАСТОТЫ СЕРДЕЧНЫХ СОКРАЩЕНИЙ

Отображает актуальную и целевую частоту сердечных сокращений во время тренировки. Панель управления отображает частоту сердечных сокращений в интервале 15–20 секунд посредством связи с сенсорами или использования нагрудного устройства измерения ЧСС. В программе ЦЕЛЕВОЙ ЧАСТОТЫ СЕРДЕЧНЫХ СОКРАЩЕНИЙ введенная ЧСС отображается на экране каждые 60 секунд.

### C ИНСТРУКТОРСКИЙ ЦЕНТР

Пошагово отображает указания для настройки программы. Во время тренировки отображаются время, темп, наклон, расстояние, скорость, уровень, количество калорий и метаболический эквивалент.

### D КОНТРОЛЬНАЯ КНОПОЧНАЯ ПАНЕЛЬ

Позволяет пользователю настраивать программы и контролировать тренировку.

#### 1 ЦИФРОВАЯ КЛАВИАТУРА

Используется для ввода данных программы во время ее установки. Нажмите ✓ для подтверждения настроек. Нажмите ↵ для удаления еще не подтвержденных данных в процессе настройки тренировки.

#### 2 СКОРОСТЬ И НАКЛОН

Используется ▲ ▼ для регулирования настроек скорости и наклона.

#### 3 GO (ВПЕРЕД) ►

Нажмите , чтобы начать тренировку незамедлительно, без выбора программы.

#### 4 СТОП ■

Нажмите СТОП для завершения тренировки. Нажмите и удерживайте в течение трех секунд, чтобы сбросить настройки панели управления в исходное состояние.

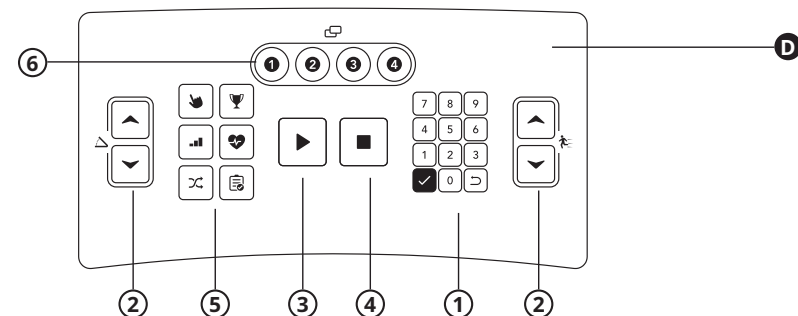
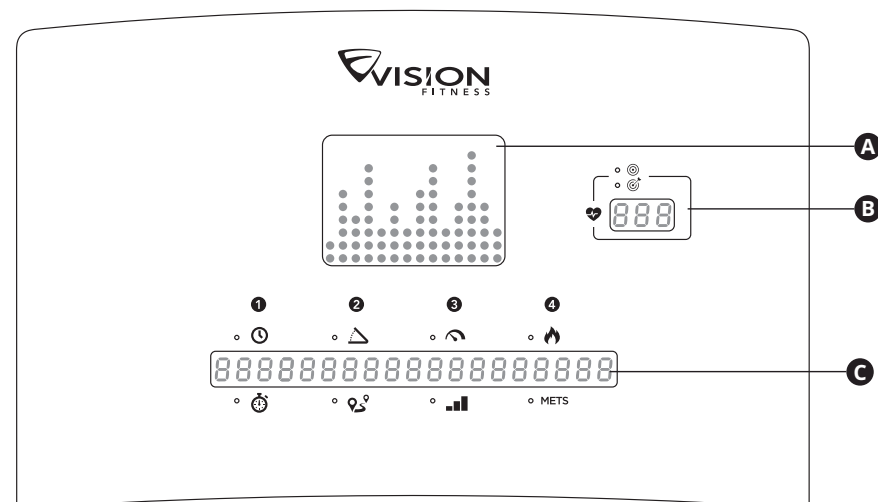
#### 5 ПРОГРАММИРУЕМЫЕ КНОПКИ

Нажмите для выбора программы. Для Goal+ (Цель+) и Heart Rate+ (ЧСС+): нажимайте кнопку до тех пор, пока не добавятся необходимые программы.

#### 6 НАСТРОЙКИ ДИСПЛЕЯ (1-4) ☰

Нажмите для смены обратной связи, отображаемой на дисплее во время тренировки.

**ПРИМЕЧАНИЕ.** При настройке по умолчанию происходит обратный отчет относительно общего времени тренировки. Если время тренировки не установлено, отсчет времени начинается с 0:00.



Более подробную информацию о сборке и панели управления можно найти на сайте [world.visionfitness.com](http://world.visionfitness.com)

## СВЕДЕНИЯ О ПРОГРАММЕ



РУССКИЙ

ПРОГРАММА		ОПИСАНИЕ	ПО УМОЛЧАНИЮ ВРЕМЯ	ПОДСКАЗКА ВХОДНЫЕ ДАННЫЕ	ПРОГРАММА КОНТРОЛЬ
БЫСТРЫЙ ЗАПУСК		Быстрый запуск является самым быстрым способом начать тренировку, пропустив подсказки с настройками. После нажатия  запускается тренировка с постоянным уровнем, скорость и наклон не меняются автоматически.	Н/П	Н/П	Н/П
РУЧНОЙ РЕЖИМ		Ручной режим является программой тренировок с постоянным усилием, в которой пользователь может самостоятельно менять наклон или скорость в любое время.	20:00	Время, Вес	Н/П
ИНТЕРВАЛЬНАЯ ТРЕНИРОВКА		Интервальная тренировка — периоды интенсивных аэробных упражнений, разделенные регулярными интервалами упражнений с низкой интенсивностью. Пользователь может в любой момент тренировки изменить текущие настройки скорости.	20:00	Уровень, Время, Вес	Подъем
GOAL+ (Цель+)	ВРЕМЯ	Эта программа задает продолжительность в качестве цели тренировки. По достижении целевой продолжительности тренировка переходит в режим заминки.	20:00	Время, Стартовый наклон, Стартовая скорость, Вес	Н/П
	РАССТОЯНИЕ	Данная тренировка разработана для повышения выносливости на определенной дистанции. По достижении цели тренировка автоматически переходит в режим заминки и затем завершается.	Н/П	Расстояние, Стартовый наклон, Стартовая скорость, Вес	Н/П
	КАЛОРИИ	Данная тренировка разработана для сжигания определенного количества калорий во время выбранного интервала времени. По достижении цели тренировка автоматически переходит в режим заминки и затем завершается.	Н/П	Калории, Стартовый наклон, Вес	Н/П
СЛУЧАЙНЫЙ ВЫБОР		Режим служит для случайного выбора вида рельефа (подъемов и спусков), которые варьируются в каждой тренировке.	20:00	Время, Вес	Подъем
ЧАСТОТА СЕРДЕЧНЫХ СОКРАЩЕНИЙ+	ЦЕЛЬ ЧСС	Целевая ЧСС является тренировкой с высокой интенсивностью для пользователей в хорошей физической форме, с упором на кардиотренировку. Пользователь должен надеть нагрудное устройство измерения ЧСС или постоянно держать руки на ручках для измерения пульса. Программа регулирует уровень интенсивности на основании фактической ЧСС для поддержания ее на уровне 80 % теоретического максимума.	20:00	Возраст, ЧСС, Контроль ЧСС, Макс. скорость или Макс. наклон, Время, Вес	Скорость или Подъем
	ПОТЕРЯ ВЕСА	Потеря веса — тренировка с низкой интенсивностью для сжигания жировых запасов. Пользователь должен надеть нагрудное устройство измерения ЧСС или постоянно держать руки на ручках для измерения пульса. Программа регулирует уровень интенсивности на основании фактической ЧСС для поддержания ее на уровне 65 % теоретического максимума. Для анализа композиционного состава тела используется индекс массы тела (ИМТ).	20:00	Возраст, ЧСС, Контроль ЧСС, Макс. скорость или Макс. наклон, Время, Вес, Рост	Скорость или Подъем
ФИТНЕС-ТЕСТ		Беговые дорожки Vision позволяют проводить фитнес-тесты Геркина (оценочные тесты спасательных служб), разработанные д-ром Ричардом Геркиным, сотрудником противопожарной службы города Феникс (Аризона). Тест построен на субмаксимальной оценке испытания на беговой дорожке. Он используется многими противопожарными службами США для оценки физической формы пожарных. Для теста характерен постоянный мониторинг частоты сердечных сокращений пользователя, для чего используется телеметрическое нагрудное устройство.	Н/П	Н/П	Н/П



## ТАБЛИЦА ПРОГРАММ

## ФИТНЕС-ТЕСТ ГЕРКИНА

Ступень	Общее время	Скорость МИЛИ/ЧАС	Наклон %	Максимальное прогнозируемое потребление кислорода (VO2) (мл/кг/мин)	Максимальное прогнозируемое потребление кислорода (VO2), метаболический эквивалент
0 (разминка)	1:00	3,0	0	13,3	3,3
	2:00	3,0	0	13,3	3,3
	3:00	3,0	0	13,3	3,3
1	3:30	4,5	0	15,3	4,4
	4:00	4,5	0	17,4	5,0
2	4:30	4,5	2	19,4	5,5
	5:00	4,5	2	21,5	6,1
3	5:30	5,0	2	23,6	6,7
	6:00	5,0	2	27,6	7,9
4	6:30	5,0	4	28,7	8,2
	7:00	5,0	4	29,8	8,5
5	7:30	5,5	4	31,2	8,9
	8:00	5,5	4	32,7	9,3
6	8:30	5,5	6	33,9	9,7
	9:00	5,5	6	35,1	10,0
7	9:30	6,0	6	36,6	10,5
	10:00	6,0	6	38,2	10,9
8	10:30	6,0	8	39,5	11,3
	11:00	6,0	8	40,9	11,6
9	11:30	6,5	8	42,6	12,2
	12:00	6,5	8	44,3	12,7
10	12:30	6,5	10	45,7	13,1
	13:00	6,5	10	47,2	13,5
11	13:30	7,0	10	49,0	14,0
	14:00	7,0	10	50,8	14,5
12	14:30	7,0	12	52,3	14,9
	15:00	7,0	12	53,9	15,4
13	15:30	7,5	12	55,8	15,9
	16:00	7,5	12	57,8	16,5
14	16:30	7,5	14	59,5	17,0
	17:00	7,5	14	61,2	17,5
15	17:30	8,0	14	63,2	18,1
	18:00	8,0	14	65,3	18,7

Макс. потребление кислорода (VO2) (мл/кг/мин)	РЕЗУЛЬТАТЫ ТЕСТА	ПРОЦЕНТИЛЬ	ЖЕНЩИНЫ				МУЖЧИНЫ			
			20-29	30-39	40-49	50-59	20-29	30-39	40-49	50-59
ПРЕВОСХОДНО	99	> 53,0	> 48,7	> 46,8	> 42,0	> 58,8	> 58,9	> 55,4	> 52,5	
	95	46,8	43,9	41,0	36,8	54,0	52,5	50,4	47,1	
ОТЛИЧНО	90	44,2	41,0	39,5	35,2	51,4	50,3	48,2	45,3	
	80	41,0	38,6	36,3	32,3	48,2	46,8	44,1	41,0	
ХОРОШО	70	38,1	36,7	33,8	30,9	46,8	44,6	41,8	38,5	
	60	36,7	34,6	32,3	29,4	44,2	42,4	39,9	36,7	
УДОВЛЕТВОРИТЕЛЬНО	50	35,2	33,8	30,9	28,2	42,5	41,0	38,1	35,2	
	40	33,8	32,3	29,5	26,9	41,0	38,9	36,7	33,8	
ПЛОХО	30	32,3	30,5	28,3	25,5	39,5	37,4	35,1	32,3	
	20	30,6	28,7	26,5	24,3	37,1	35,4	33,0	30,2	
ОЧЕНЬ ПЛОХО	10	28,3	26,5	25,1	22,3	34,5	32,5	30,9	28,0	
	5	25,9	25,1	23,5	21,1	31,6	30,9	28,3	25,1	

## 1. Во время проведения теста

- 1.1 При нажатии кнопки СТОП устройство завершает тестирование, отображается сообщение ТЕСТ ЗАВЕРШЕН.
- 1.2 Если ЧСС > целевого ЧСС более 15 секунд или при завершении 18-минутного тестирования, тренажер входит в состояние ЗАМИНКА: тестирование завершается и отображаются результаты.
- 1.3 В случае если по окончании РАЗМИНКИ частота сердечных сокращений не определяется, устройство отображает сообщение ЧСС НЕ ИЗМЕРЯЕТСЯ, ПОЛОЖИТЕ РУКИ НА СЕНСОРЫ. Если ЧСС не регистрируется в течение следующих 20 секунд. Устройство завершает тестирование, входит в состояние ЗАМИНКА и затем выводит сообщение ТЕСТ ЗАВЕРШЕН.

## 2. Результаты теста:

общее время / количество калорий / номер ступени/ уровень теста

## 3. Целевое ЧСС = (220 - ВОЗРАСТ) x 0,85

## ИНТЕРВАЛЫ

СЕКМЕНТЫ	1	2	3	4	5	6	7	8	9	10	11	12	13	14
УРОВЕНЬ	НАКЛОН													
L1	1	1	2	1	2	1	3	1	2	1	2	1	1	1
L2	1	2	3	1	3	1	3	1	3	1	3	2	1	1
L3	1	2	3	1	3	1	4	1	3	1	3	2	1	1
L4	1	3	4	1	4	1	5	1	4	1	4	3	1	1
L5	2	3	5	2	5	2	5	2	5	2	5	3	2	2
L6	2	4	5	2	5	2	6	2	5	2	5	4	2	2
L7	2	4	6	2	6	2	7	2	6	2	6	4	2	2
L8	3	5	7	3	7	3	8	3	7	3	7	5	3	3
L9	3	5	8	3	8	3	9	3	8	3	8	5	3	3
L10	3	6	9	3	9	3	10	3	9	3	9	6	3	3

Информация в матрице случайных программ основана на таблице интервалов.

## НАЧАЛО РАБОТЫ

- 1) Убедитесь, что на беговом полотне нет объектов, которые могут помешать движению беговой дорожки.
- 2) Вставьте в розетку шнур питания и нажмите ВКЛ.
- 3) Встаньте на боковые опоры беговой дорожки.
- 4) Прикрепите предохранительный ключ к своей одежде. Потяните его, чтобы убедиться, что он не сорвется с вашей одежды во время тренировки.

### А. БЫСТРЫЙ ЗАПУСК

Просто нажмите ► для начала тренировки. Отсчет времени начнется с 0:00. Тренировка начнется при самых низких значениях наклона и скорости.

### В. ВЫБОР ПРОГРАММЫ

- 1) Сделайте выбор программы с помощью **КНОПОК ПРОГРАММ** и нажмите ✓.
- 2) Следуйте указаниям **ИНСТРУКТОРСКОГО ЦЕНТРА** для настройки программы тренировки, используя ▲▼ или **ЦИФРОВУЮ КЛАВИАТУРУ**. Нажимайте ✓ для подтверждения выбора.
- 3) Нажмите ► для начала тренировки.

**ПРИМЕЧАНИЕ.** Во время тренировки можно регулировать скорость и уровень наклона.

### С. ЗАВЕРШЕНИЕ ТРЕНИРОВКИ

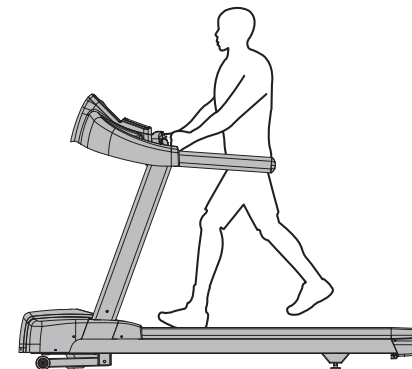
По окончании тренировки информация о ее результатах отобразится на панели управления.

### УДАЛЕНИЕ ТЕКУЩЕГО ВЫБОРА

Для удаления текущего выбора программы или удаления информации с экрана нажмите и удерживайте **КНОПКУ «СТОП»** ■ в течение трех секунд.

## ПОРЯДОК ИСПОЛЬЗОВАНИЯ

Встаньте на беговое полотно, слегка согните руки и возьмитесь за сенсоры частоты сердечных сокращений (как показано на изображении). Во время бега ваши ноги должны располагаться по центру бегового полотна, чтобы ничего не мешало естественному движению рук и они не соприкасались с передними ручками.



Беговая дорожка может работать с высокой скоростью. Всегда включайте дорожку на низкой скорости и повышайте скорость постепенно. Включенную беговую дорожку нельзя оставлять без присмотра. Если тренажер не используется, выключите переключатель и отсоедините шнур питания. Придерживайтесь графика **ТЕХНИЧЕСКОГО ОБСЛУЖИВАНИЯ** из данного руководства для корректной работы и предотвращения выхода электронного оборудования из строя. На беговой дорожке следует стоять лицом вперед. Не пытайтесь развернуться или посмотреть назад во время движения полотна беговой дорожки. Незамедлительно прекратите тренировку, если вы почувствовали боль, слабость, головокружение или одышку.





## ПЕРЕД НАЧАЛОМ

### РАСПОЛОЖЕНИЕ БЕГОВОЙ ДОРОЖКИ

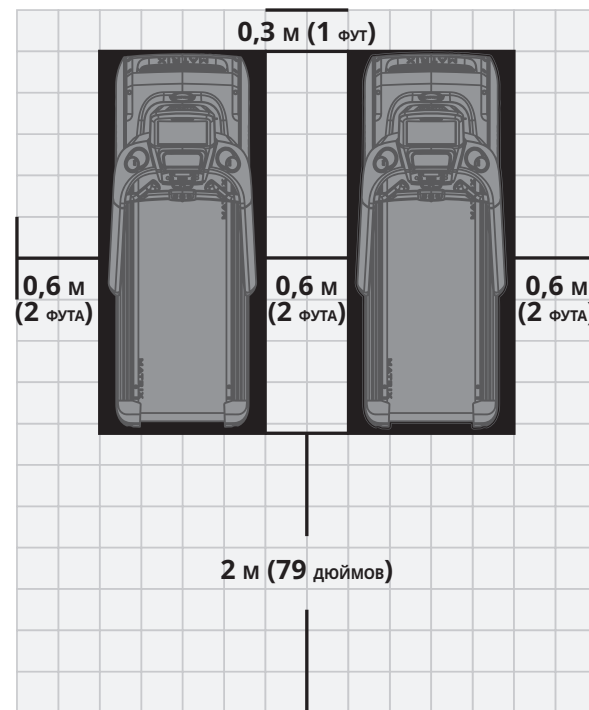
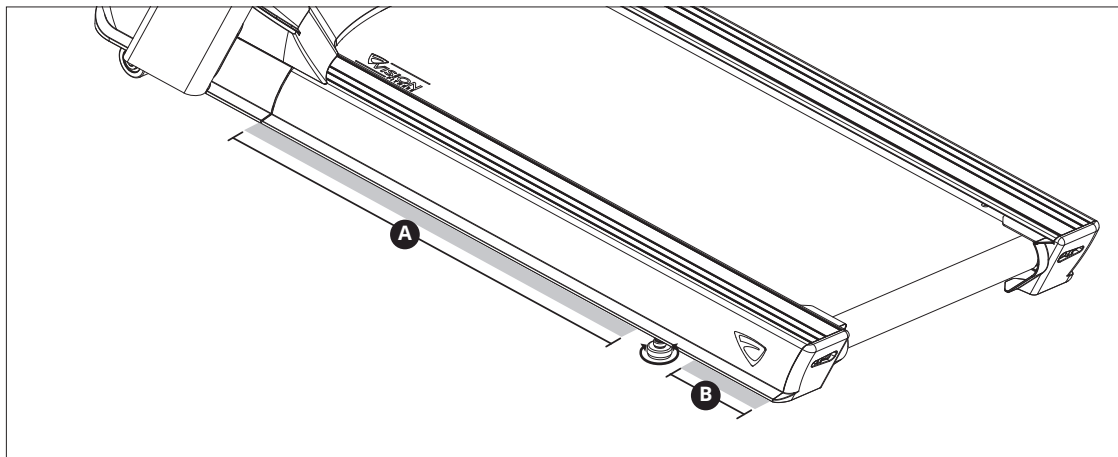
Устанавливайте оборудование на ровной и устойчивой поверхности вдали от прямого солнечного света. Интенсивное ультрафиолетовое излучение может приводить к выцветанию пластмассы. Располагайте оборудование в зоне умеренных температур и низкой влажности. Обеспечьте за беговой дорожкой не менее 2 м свободного пространства. В этой зоне не должно быть никаких препятствий. Она должна обеспечивать пользователю легкий путь отхода от тренажера. Для удобства доступа с обеих сторон беговой дорожки необходимо обеспечить не менее 0,6 м свободного пространства, которое обеспечит пользователю доступ к беговой дорожке с любой стороны. Запрещается размещать беговую дорожку в зоне, которая будет перекрывать какие-либо вентиляционные каналы или отверстия. Беговую дорожку не разрешается устанавливать в гараже, на крытой террасе, рядом с водой или под открытым небом.

### ВЫРАВНИВАНИЕ БЕГОВОЙ ДОРОЖКИ

Для надлежащей эксплуатации чрезвычайно важно правильно отрегулировать устройства выравнивания. Поверните выравнивающую ножку по часовой стрелке, чтобы опустить беговую дорожку, против часовой — чтобы поднять ее. Выравнивайте каждую сторону по мере необходимости, пока беговая дорожка не будет стоять ровно. Дисбаланс устройства может привести к смещению бегового полотна и другим проблемам. Рекомендуется использовать уровень.

### ПЕРЕМЕЩЕНИЕ БЕГОВОЙ ДОРОЖКИ

Во избежание повреждений беговой дорожки во время ее перемещения поднимайте только за участки **A** или **B**, как показано на рисунке.



### ПРЕДУПРЕЖДЕНИЕ!

Оборудование имеет большую массу. При его перемещении необходимо действовать осторожно и при необходимости привлекать помощников. Несоблюдение этих инструкций может привести к травмам. Запрещается эксплуатация беговой дорожки, если у нее поврежден шнур или вилка, если она не работает должным образом, повреждена или погружалась в воду. Обратитесь в службу технической поддержки клиентов для осмотра или ремонта.



## НАТЯЖЕНИЕ БЕГОВОГО ПОЛОТНА

После установки беговой дорожки на место ее эксплуатации необходимо проверить натяжение и центровку бегового полотна. Регулировка полотна может понадобиться после первых двух часов эксплуатации. Температура, влажность и эксплуатация приводят к растяжению полотна с различной интенсивностью. Если полотно начинает проскальзывать, когда пользователь находится на нем, следуйте приведенным ниже инструкциям.

- 1) Найдите два болта с шестигранной головкой на задней части беговой дорожки. Болты расположены с обеих сторон рамы в задней части беговой дорожки. Они используются для регулировки заднего ролика полотна. Выполняйте регулировку только после включения беговой дорожки. Это позволит избежать излишнего затягивания на одной стороне.
- 2) Полотно должно располагаться таким образом, чтобы с каждой стороны до рамы оставалось одинаковое расстояние. Если полотно касается рамы с одной стороны, не запускайте беговую дорожку. Поверните болты с каждой стороны приблизительно на один полный поворот против часовой стрелки. Вручную отрегулируйте положение полотна, двигая его из стороны в сторону таким образом, чтобы оно было расположено параллельно боковым опорам. Затяните болты приблизительно с тем же моментом — поверните их на один оборот по часовой стрелке. Проверьте полотно на наличие повреждений.
- 3) Нажмите кнопку GO (ВПЕРЕД) — полотно беговой дорожки начинает движение. Увеличьте скорость до 4,8 км/ч (~3 мили/ч), наблюдайте за положением полотна. Если оно смещается вправо, затяните правый болт, повернув его на  $\frac{1}{4}$  оборота по часовой стрелке, и ослабьте затяжку левого болта, повернув его на  $\frac{1}{4}$  оборота против часовой стрелки. Если оно смещается влево, затяните левый болт, повернув его на  $\frac{1}{4}$  оборота по часовой стрелке, и ослабьте затяжку правого болта, повернув его на  $\frac{1}{4}$  оборота против часовой стрелки. Повторяйте шаг 3 до тех пор, пока центральное положение полотна не будет сохраняться в течение нескольких минут.
- 4) Проверьте натяжение полотна. Оно должно плотно прилегать к деке. Когда пользователь идет или бежит по полотну, оно не должно приостанавливаться или проскальзывать. В противном случае натяните полотно, повернув оба болта на  $\frac{1}{4}$  оборота по часовой стрелке. При необходимости повторите.

**ПРИМЕЧАНИЕ:** Чтобы проверить правильность центровки полотна, используйте горизонтальную оранжевую полоску на боковых опорах. При необходимости отрегулируйте положение полотна так, чтобы его кромка находилась параллельно оранжевой или белой полоске.

## ПРЕДУПРЕЖДЕНИЕ!

Во время центровки не запускайте полотно со скоростью выше 4,8 км/ч (~ 3 мили/ч). Не допускайте попадания пальцев, волос и одежды в полотно.

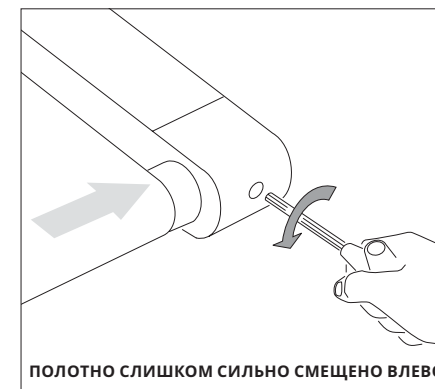
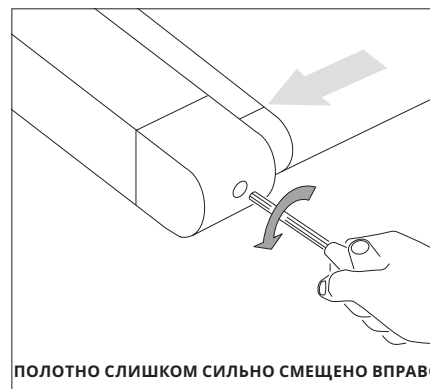
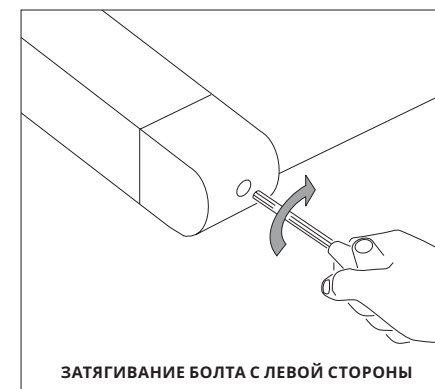
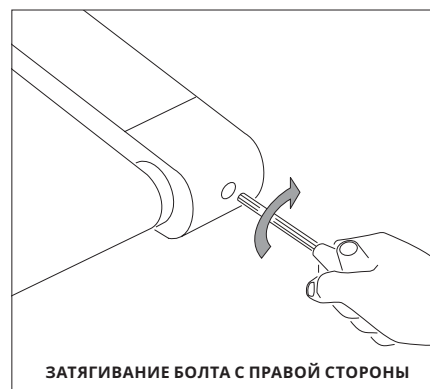
Для беговых дорожек с боковыми и передним поручнями для поддержки пользователя и возможности экстренно сойти с дорожки: нажмите кнопку аварийного останова для отключения тренажера.

## ПЕРЕД ИСПОЛЬЗОВАНИЕМ БЕГОВОЙ ДОРОЖКИ

Произведите первоначальный запуск и откалибруйте беговую дорожку, используя функцию автокалибровки в режиме «Диспетчер» или «Инженер».

### ПРИМЕЧАНИЕ:

- НЕ ВСТАВАЙТЕ на полотно во время автокалибровки.
- НЕ РЕГУЛИРУЙТЕ наклон до завершения первоначального запуска и автокалибровки.
- НЕЛЬЗЯ включать движение полотна или нажимать на кнопки регулирования скорости до получения указаний во время натяжения бегового полотна.







## ВНИМАНИЕ!

### РИСК ПОЛУЧЕНИЯ ТРАВМЫ

Не вставляйте на беговое полотно в процессе подготовки к использованию дорожки. Ставьте ноги на боковые опоры перед включением беговой дорожки. Начните ходьбу по дорожке только после того, как полотно начнет движение. Нельзя включать беговую дорожку с высокой скоростью и запрыгивать на нее! При возникновении чрезвычайной ситуации ухватитесь руками за опоры, расположенные по бокам, приподнитесь и встаньте на боковые опоры.

### ИСПОЛЬЗОВАНИЕ ПРЕДОХРАНИТЕЛЬНОГО КЛЮЧА

Беговая дорожка не начнет работу, пока нажата кнопка аварийного останова. Надежно закрепите зажим на вашей одежде. Этот предохранительный ключ разработан для того, чтобы выключить питание беговой дорожки в случае вашего падения. Проверьте работу предохранительного ключа каждые 2 недели.

### ПРЕДУПРЕЖДЕНИЕ!

Не пользуйтесь беговой дорожкой, предварительно не прикрепив зажим предохранительного ключа к одежде. Потяните зажим предохранительного ключа, чтобы убедиться, что он не сорвется с вашей одежды.

Используйте изменение направления хода только под наблюдением подготовленного инструктора. Максимальная скорость движения полотна 2 мили/час, она может быть изменена только авторизованным специалистом.

Беговая дорожка может работать с высокой скоростью. Всегда включайте дорожку на низкой скорости и повышайте скорость постепенно. Включенную беговую дорожку нельзя оставлять без присмотра. Если тренажер не используется, выключите переключатель и отсоедините шнур питания. Придерживайтесь графика ТЕХНИЧЕСКОГО ОБСЛУЖИВАНИЯ из данного руководства для корректной работы и предотвращения выхода электронного оборудования из строя. На беговой дорожке следует стоять лицом вперед. Не пытайтесь развернуться или посмотреть назад во время движения полотна беговой дорожки. Незамедлительно прекратите тренировку, если вы почувствовали боль, слабость, головокружение или одышку.

## ИСПОЛЬЗОВАНИЕ ФУНКЦИИ ЧАСТОТЫ СЕРДЕЧНЫХ СОКРАЩЕНИЙ

Функция измерения ЧСС в настоящем изделии не является медицинским прибором. Хотя датчики частоты сердечных сокращений могут обеспечить относительную оценку вашего фактического сердечного ритма, не следует на них полагаться в том случае, когда необходимы точные показания. Некоторые люди, в том числе участвующие в программе кардиореабилитации, могут воспользоваться альтернативной системой контроля сердечного ритма, такой как нагрудный ремень или браслет. На точность считывания сердечного ритма могут влиять различные факторы, включая движение пользователя. Показание ЧСС предназначено только в качестве помощи при выполнении упражнений для определения общих тенденций изменения сердцебиения. Обратитесь за консультацией к врачу.

### РУЧКИ ДЛЯ ИЗМЕРЕНИЯ ПУЛЬСА

Расположите ладонь прямо на ручке для измерения пульса. Для регистрации частоты сердечных сокращений обе руки должны зажимать сенсоры. Для регистрации сердечного ритма требуется 5 последовательных сердечных сокращений (15–20 секунд). При захвате ручек для измерения пульса не следует их сильно сдавливать. Плотное сжатие ручек может привести к повышению кровяного давления. Захват должен быть свободным и охватывающим. При постоянном сжатии ручек у вас может наблюдаться неустойчивое считывание. Обязательно чистите пульсометры, чтобы обеспечить надлежащий контакт. Ручки для измерения пульса предназначены только для считывания пульса.

### ПРЕДУПРЕЖДЕНИЕ!

Возможны погрешности систем мониторинга ЧСС. Изнуряющие упражнения могут привести к тяжелым травмам или летальному исходу. Если вы чувствуете близость обморока, немедленно прекратите упражнения.

## СПЕЦИФИКАЦИИ ИЗДЕЛИЯ

Макс. вес пользователя	182 кг/400 фунтов
Масса изделия	178 кг/392 фунта
Транспортировочная масса	210 кг/462 фунта
Габаритные размеры (Д x Ш x В) *	215 x 91 x 154 см/85" x 36" x 61"

\* Минимальная свободная зона вокруг оборудования VISION должна составлять 0,6 м (24") для обеспечения беспрепятственного доступа к нему. Обратите внимание на то, что расстояние для пользователей в инвалидных колясках, рекомендованное в Законе о защите прав граждан с ограниченными возможностями (ADA) США, составляет 0,91 м (36").





## ТЕХНИЧЕСКОЕ ОБСЛУЖИВАНИЕ

Демонтаж и замену любых деталей разрешается выполнять только квалифицированному специалисту по сервисному обслуживанию.

- 1) НЕ используйте оборудование, если оно повреждено, имеет изношенные или сломанные детали. Используйте для ремонта только запасные части, предоставленные дилером оборудования VISION в вашей стране.
- 2) СОХРАНЯЙТЕ МАРКИРОВКУ И ПАСПОРТНЫЕ ТАБЛИЧКИ. Ни при каких обстоятельствах не удаляйте маркировку. Она может содержать важную информацию. Если маркировка отсутствует или текст на ней невозможно прочитать, обратитесь к своему дилеру оборудования VISION для замены.
- 3) ПРОВОДИТЕ ТЕХНИЧЕСКОЕ ОБСЛУЖИВАНИЕ ВСЕГО ОБОРУДОВАНИЯ. Профилактическое техобслуживание является ключевым элементом для надлежащей работы оборудования и снижения вашей ответственности. Проверка оборудования должна проводиться через регулярные промежутки времени.
- 4) Все работы по обслуживанию и ремонту или регулировке оборудования должны выполняться квалифицированным персоналом. Дилеры VISION по запросу проведут обучение по техническому обслуживанию на нашей площадке.

### ПРЕДУПРЕЖДЕНИЕ!

Чтобы отключить питание от беговой дорожки, необходимо вынуть шнур питания из настенной розетки.

## РЕКОМЕНДАЦИИ ПО УХОДУ И ОЧИСТКЕ

Профилактическое техобслуживание и ежедневная очистка продлят срок службы вашего оборудования и улучшат его внешний вид.

- 1) Используйте мягкую чистую хлопковую ткань. НЕ ИСПОЛЬЗУЙТЕ бумажные полотенца для очищения поверхностей беговой дорожки. Бумажные полотенца абразивны: они могут повредить поверхность.
- 2) Используйте мягкий мыльный раствор и влажную ткань. НЕ ИСПОЛЬЗУЙТЕ чистящие средства с содержанием аммиака и спирта. Очистка данными средствами может привести к изменению цвета алюминия и пластика.
- 3) Не наливайте воду или чистящие средства на поверхности оборудования во избежание поражения электротоком.
- 4) Протирайте панель управления, ручки для измерения пульса, поручни и боковые опоры после каждого использования тренажера.
- 5) Очищайте любые следы воска на деке и полотне. Они могут появляться, поскольку воском обработан материал полотна.
- 6) Убедитесь в том, что устранены любые препятствия на пути подъемных колес, в том числе шнуры питания.

Для очистки сенсорных дисплеев используйте пульверизатор с дистиллированной водой. Распылите дистиллированную воду на мягкую, чистую и сухую ткань, протрите ею дисплей до полной очистки и затем протрите его насухо. Для сильно загрязненных дисплеев рекомендуется добавить в воду уксус.

### ВНИМАНИЕ!

Во избежание травм и повреждения беговой дорожки обратитесь за помощью при установке и перемещении оборудования.

## ГРАФИК ТЕХНИЧЕСКОГО ОБСЛУЖИВАНИЯ

ОПЕРАЦИЯ	ЧАСТОТА ВЫПОЛНЕНИЯ
Отключите устройство. Очищайте все устройство с использованием воды, мягкого мыльного раствора или иных разрешенных средств (чистящие средства не должны содержать спирта и аммиака).	ЕЖЕДНЕВНО
Осмотрите шнур питания. При обнаружения повреждения шнура обратитесь в службу технической поддержки клиентов.	ЕЖЕДНЕВНО
Убедитесь в том, что шнур питания не находится под устройством или не попал в другую область, где он может защемиться или повредиться во время хранения или эксплуатации.	ЕЖЕДНЕВНО
Отключите беговую дорожку от розетки и снимите крышку мотора. При наличии загрязнений удаляйте их с помощью сухой ткани или пылесоса с небольшой насадкой. <b>ПРЕДУПРЕЖДЕНИЕ.</b> Не подключайте беговую дорожку к сетевой розетке до установки крышки мотора на место.	ЕЖЕМЕСЯЧНО
Для панели управления с сенсорным экраном войдите в режим обслуживания и выберите test (тест). Выберите touch calibration (сенсорная калибровка), а затем start (начать). Следуйте инструкциям на экране и касайтесь экрана, где указано.	ЕЖЕКВАРТАЛЬНО
Очищайте инфракрасные датчики (расположенные на стойке панели управления) при помощи ватного тампона и протирочного спирта.	ЕЖЕКВАРТАЛЬНО

## ЗАМЕНА ДЕКИ И ПОЛОТНА

Наиболее быстроизнашивающимися деталями беговой дорожки являются дека и полотно. Если эти два элемента не поддерживаются в исправном состоянии, они могут стать причиной повреждения других элементов. Данное устройство оснащено самой совершенной системой техобслуживания на рынке, не требующей смазки.

### ПРЕДУПРЕЖДЕНИЕ!

Нельзя запускать беговую дорожку во время процесса чистки полотна и деки. Это может привести к тяжелым травмам и повреждению оборудования. Протирайте боковые стороны полотна и деку чистой тканью. Также можно протирать под полотном (51 мм; 2 дюйма) с двух сторон для удаления пыли и загрязнений. Только авторизованный сервисный специалист может поворачивать, менять и переустанавливать деку. Для подробной информации обратитесь в компанию Vision Fitness Systems.



# 日本語



## 重要な注意事項

本説明書は大切に保管してください。

- 本機を使用する際は、基本的な注意事項に必ず従い、以下の事項も守ってください。本機器のご使用前にすべての説明をお読みください。本機器を所有している方が責任を持って、ユーザー全員が警告および注意事項をすべて理解するようにしてください。
- 本機器は業務用です。ユーザーの安全と機器を保護するため、説明書をすべてよく読んで上でご使用ください。

## 危険！

感電のリスクを減らすために：

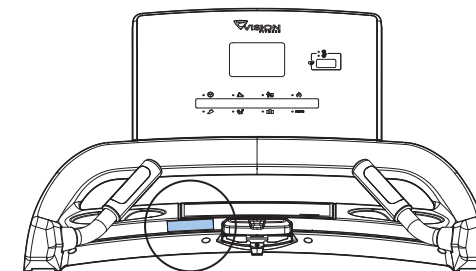
- 使用直後、清掃やメンテナンスの実行、部品の取り付けや取り外し前には必ず本機器の電源プラグをコンセントから抜いてください。

## 警告！

人へのやけど、火事、電気ショック、怪我のリスクを低減するため：

- 不適切な、または過度のエクササイズはけがの原因となる場合があります。胸の痛み、吐き気、めまい、息切れを含みますが、これに限らない一種の痛みを経験した場合、エクササイズを直ちに停止して、続行する前に医師にご相談ください。
- エクササイズを行う際は、必ず無理のないペースで行ってください。
- 本機のいずれかの部分に引っかかる恐れのある服は着用しないでください。
- 本機をご使用の際は、必ず適した靴を（運動靴など）を履いてください。
- 本機の上で飛び上がらないでください。
- 本機運転中に使用できる定員は1名です。
- オーナズマニュアルの仕様指定されている体重以上の方は本機を使用しないでください。これに従わない場合、保証が無効になります。
- 本機器を保守または移動する前にはすべての電源を切ってください。
- クリーニングには表面を石鹸水でわずかに湿らせた布で拭いてください。溶剤は使用しないでください。（メンテナンス参照）
- 使用しない時、またはパーツの取付け・取り外しの前は電源プラグをコンセントから抜いてください。
- 本エクササイズマシンは適切に接地したコンセントにのみ接続してください。
- 専門家および国内代理店の指示のない限り、保護カバーを外さないでください。整備は公認の保守技術者のみが行ってください。
- 販売時に本機では本来意図していない、または互換性のないパーツまたはアクセサリを取り付けた場合、保証が無効になり、安全性が損なわれます。

- 通常の頭の高さで測定した場合、本機が毎時12キロで走行している（負荷無し）際の加重音圧レベルは70 dBを上回ることはありません。
- 負荷がある状態で発生する騒音は負荷が無い場合よりも大きくなります。
- 本機から3メートル（10フィート）以内の距離にペットまたは14歳未満の子どもを近づけないでください。
- 14歳未満の子どもは本機を使用してはなりません。
- 14歳以上の子どもは成人の監視の下でない限り、本機を使用してはなりません。
- 本機は、身体能力、感覚能力または精神的能力に障害をお持ちの方、または本機の使用について十分な経験および知識をお持ちでない方による使用を対象としていません。但し、これらは本機を使用する方の安全責任者の下で監視または指示が行われている場合はこの限りではありません。
- 本機は、オーナズマニュアルに記載通りの用途のみにご使用ください。
- コードや電源プラグが損傷している場合、本機が正常に作動しない場合、落としてしまったり、損傷を受けていたり、水浸しになった場合には絶対に本機を稼働させないでください。カスタマー技術サポートに電話で問い合わせ、検査および修理をしてもらってください。
- 感電のリスクを回避するため、本機は非ループ状（絶縁）で接地した回路以外に接続しないでください。
- 電源コードを加熱した表面から離してください。本機器の電源コードを引っ張ったり、つかんだりして、製品ユニットを運ばないでください。



警告ラベルをここに貼付してください

- 通気口が塞がれている状態では絶対に本機を稼働させないでください。通気口を糸くずや髪の毛等のない清潔な状態に保ってください。
- 感電防止のために、どの開口部にも絶対に物体を落としたり、挿入したりしないでください。
- エアゾール（スプレー）製品が使用される場所、または酸素投与が行われる場所で本機を使用しないでください。
- 接続を解除するには、すべてのコントロールをオフ位置に切り換え、それから電源プラグをコンセントから抜いてください。
- ガレージ、ポーチ、プールルーム、風呂、カーポート、屋外を含みこれらに限定されない、温度調節がされていない場所に本機を設置しないでください。これに従わない場合、保証が無効になります。
- 保護アクセスパネルの取り外しは、有資格者の保守技術者のみが行う必要があります。アクセスパネルを交換した後は、すべての留め具が正しく再設置されていることを確認してください。
- 怪我しないよう、本機を起動させる前はサイドレールの横に立ってください。
- 心拍数監視システムは正確でないこともあります。
- 適度は範囲を超えた運動は、重度の怪我や死亡に至る恐れがあります。
- めまいを感じた場合、直ちにエクササイズを停止してください。
- 本機の電源ジャックに誤った電源コードを接続しないよう、電源コードを本機に接続した後、電源コード固定具を取り付けてください。

## 注意！

本機のご使用前に医師にご相談ください。ご使用前にオーナズマニュアルをお読みください。

- 本装置は必ず屋内の空調されている部屋でご使用ください。本機器が低温または高い湿度の気候にさらされた場合は、初めて使用する前に本機器を室温に慣らして暖めることを強くお勧めします。これに従わない場合、早期電子故障の原因となることがあります。初期（デフォルト）開始速度は毎時0.8キロ（0.5マイル）です。デフォルト開始速度の高すぎる設定は危険となることがあります。



## 電源要件

### 専用回路と電気系統に関する情報

「専用回路」とは、差し込んだコンセントでは、その同一回路上で他に何も動作していないことを意味します。このことを検証する最も簡単な方法は、メイン回路のブレーカーボックスの位置を特定し、ブレーカー（1つまたは複数）を同時にオフにする方法です。ブレーカーがオフになると、電力を供給されなくなる唯一のものが、当該のユニットであるはずですが、このテストを実行すると、ランプも自動販売機も換気扇も音響設備もその他あらゆる物も電力供給を失わないはずですが、非ループ状（絶縁）の中性点接地とは、各回路から個別の中性点接地接続が出ていて、認可されたアース接地で終わっていることを意味します。1つの回路から次の回路へ単一の中性点接地で「ショートカット」することはできません。

### 電気系統要件

安全のため、また本機が確実にすぐれたパフォーマンスを発揮できるように、本回路の接地は非ループ状（絶縁）になっている必要があります。NEC（米国電気工事基準）の210-21項および210-23項を参照してください。本機には以下リストに記載のプラグ付き電源コードが同梱されており、リストに記載のコンセントが必要です。この電源コードには、いかなる変更を加えた場合も本製品のすべての保証が無効になる恐れがあります。

### 220 Vユニット

すべてのVision 220 Vのトレッドミルでは、電源には216-250 V、50 Hzを使用し、非ループ状（絶縁）中性点接地を持つ20 Aの「専用回路」が必要です。このコンセントはNEMA 6-20Rであり、電源プラグと同じ構成になっている必要があります。本製品にはアダプターを併用しないでください。

### 接地の指示事項

本機は接地する必要があります。故障や機能停止が発生した場合、接地により、電流には抵抗が最小となる経路が与えられるので、感電のリスクが減ります。本ユニットには機器接地導線と接地プラグのついたコードが装備されています。プラグは正しく取り付けられた適切なコンセントに差し込み、現地の規定や条例に従って接地する必要があります。使用者が以上の接地の指示事項に従わない場合、Visionの限定保証が無効になる恐れがあります。

### 追加の電気系統に関する情報

専用回路の要件に加え、回路のブレーカーボックスから、最大数のユニットに給電している各コンセントまで、適切な規格のワイヤを使用する必要があります。回路ブレーカーボックスから各コンセントまでの距離が100フィート（30.5 m）以下の場合には12番のワイヤを使用してください。回路ブレーカーボックスからコンセントまでの距離が100フィート（30.5 m）より大きい場合は10番のワイヤを使用してください。

### 省エネ/低電力モード

すべてのユニットは、ある一定期間使用していなかった場合に省エネ/低電力モードに切り替わるよう設定されています。低電力モードになった場合は、ユニットが完全に再開できるまでにさらに時間が必要になることがあります。この省エネ機能は「マネジャーモード」または「技術モード」で有効にしたり、無効にしたりできます。

### 警告!

本エクササイズマシンは適切に接地したコンセントにのみ接続してください。

- コードや電源プラグが損傷している場合は、たとえ本製品が正常に作動していても、絶対に稼働させないでください。本製品が損傷を受けているように見える、または水浸しになった場合には絶対に稼働させないでください。カスタマー技術サポートに問い合わせ、交換または修理をしてもらってください。

以下の指示事項に従わなかった場合、製品に損傷が起きる可能性があり、保証が無効になることがあります：

- すべてのビデオおよび電源差込口は本製品の納入日/組立日に正常に機能している必要があります。再訪問に関連して行われた追加の設置作業で生じた料金はすべてクライアント持ちとなります。
- 電源供給はお住まいの地域によって異なる場合があります。本製品が安定したパフォーマンスを確実に発揮できるように、適切な規格のワイヤを使用してください。

### 危険!

本機器の接地導線を適切に接続しない場合、感電のリスクが生じる可能性があります。本製品が適切に接地されているか確信が持てない場合は、資格を持った電気技師または修理技師に点検してもらってください。本製品に付属の電源プラグは改造しないでください。電源プラグがコンセントに合わない場合は、資格を持った電気技師に適切なコンセントを取り付けてもらってください。



## 組立

### 開梱

本機の開梱は本機を使用する場所で行ってください。箱を平坦で水平な床面に配置してください。床面上に保護カバーを配置することが推奨されます。箱が横転している状態で開梱しないでください。

### 重要な注意

組み立ての各ステップにおいて、ナットとボルトのすべてが所定の位置に配置されており、部分的にねじ込まれていることを確認してください。組立時や使用時の補助として、一部の部品は事前に潤滑剤が塗布されています。潤滑剤を拭き取らないでください。潤滑が不足すると思われる場合、リチウムグリスを軽く塗布することを推奨いたします。

### 警告!

組み立ての工程にはいくつか特に注意する必要がある箇所があります。組み立ての説明に従って全ての部品がしっかり締め付けられていることを確認することは、非常に重要です。組み立ての説明に正しく従わない場合、部品の締め付けが不十分であったり緩みが生じたりすることがあり、耳障りな音が発生する原因となることがあります。本機の損傷を防ぐために、組立の説明をご確認のうえ、必要な修正方法に従っていただく必要があります。

### お問い合わせについて

ご質問がある場合、または部品が不足している場合、Customer Tech Support までお問い合わせください。連絡先情報は、[world.visionfitness.com](http://world.visionfitness.com)をご覧ください。

### 必要な工具:

- 8mm Tレンチ
- 8mm 六角棒レンチ
- 6mm 六角棒レンチ
- プラスドライバー

### 同梱部品:

- 1 ベースフレーム
- 1 コンソールベースセット
- 1 コンソールアセンブリ
- 2 コンソールマスト
- 2 ハンドルバー
- 電源コード x 1
- 1 ハードウェアキット



# 1

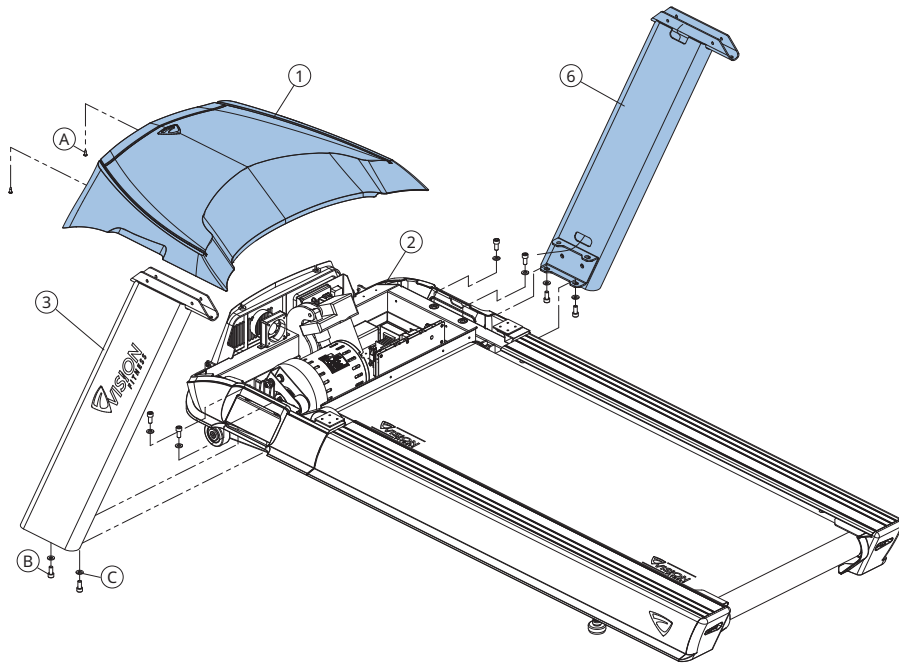
**重要: ステップ3を完了するまでボルトを締めないでください。**

- 事前に取り付けられたネジ (A) 2本を外し、**モーターカバー (1)**を外します。
- ステップ1用の金属製品を開けます。
- **左コンソールマスト (3)**をベースフレーム (2)の上部と底部に**ボルト (B) 4本**と**フラットワッシャー (C) 4個**を使って取り付けます。
- **右コンソールマスト (6)**をベースフレーム (2)の上部と底部に**ボルト (B) 4本**と**フラットワッシャー (C) 4個**を使って取り付けます。

注意: ハンドルバーを取り付ける時にワイヤーを挟まないように注意してください。

### ステップ1用の金属製品

詳細	数量
A 事前に取り付けられたネジ	2
B ボルト	8
C 平ワッシャー	8

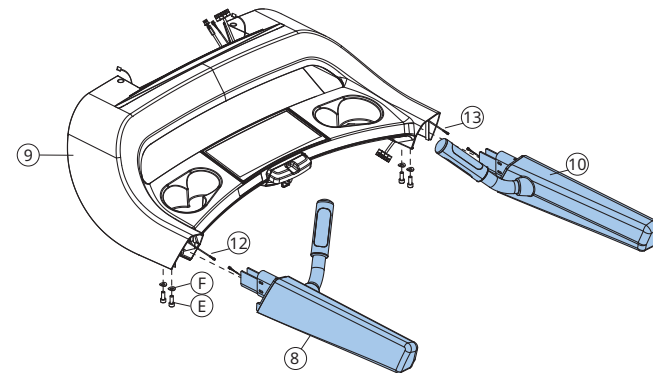


# 2

- ステップ2用の金属製品を開けます。
- **心拍数グリップワイヤー (12)**を接続し、ワイヤータイを廃棄し、ケーブルを**左ハンドルバー (8)**に差し込んで**コンソールベース (9)**に滑り込ませます。
- **心拍数グリップワイヤー (13)**を接続し、ワイヤータイを廃棄し、ケーブルを**右ハンドルバー (10)**に差し込んで**コンソールベース (9)**に滑り込ませます。
- **ハンドルバー (8と10)**を**コンソールベース (9)**に**ボルト (E) 4本**と**波型ワッシャー (F) 4個**を使って取り付けます。

### ステップ2用の金属製品

詳細	数量
E ボルト	4
F アークワッシャー	4



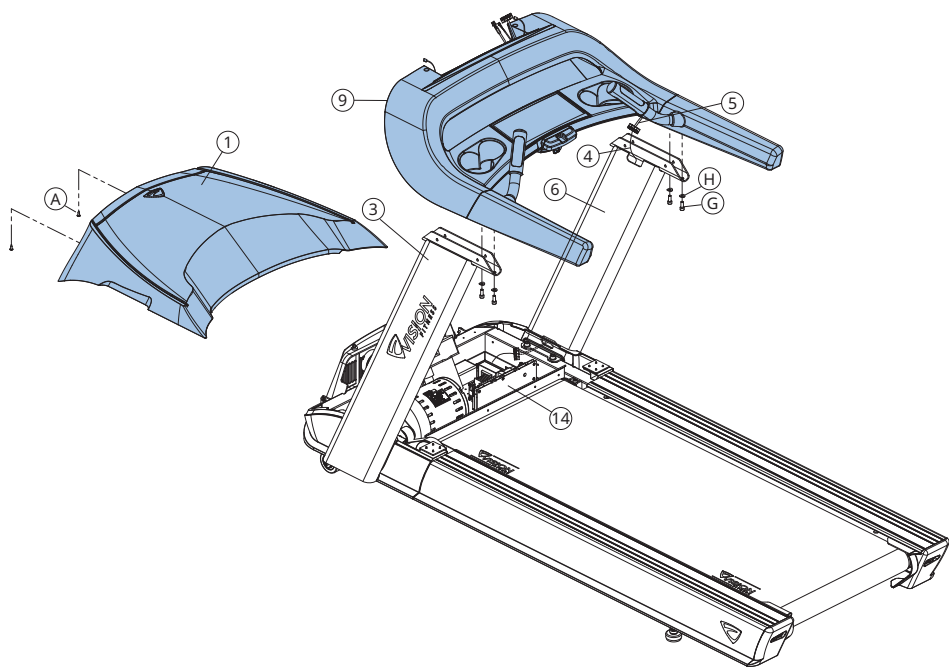


# 3

- ステップ3用の金属製品を開けます。
- リード線 (4)をコンソールケーブル (5) に取り付け、右コンソールマスト (6) に引っ張って通します。マストにリード線を通したら、コンソールケーブルの上部をMCB (14) に接続します。リード線を切り離して廃棄します。
- コンソールベース (9)をコンソールマスト (3と6)にボルト (G) 4本と波型ワッシャー (H) 4個を使って取り付けます。
- ステップ1-3のボルトをすべて締めます。
- モーターカバー(1)を事前に取り付けられたネジ(A)2本で取り付けます。

### ステップ3用の金属製品

詳細	数量
G ボルト	4
H アークワッシャー	4

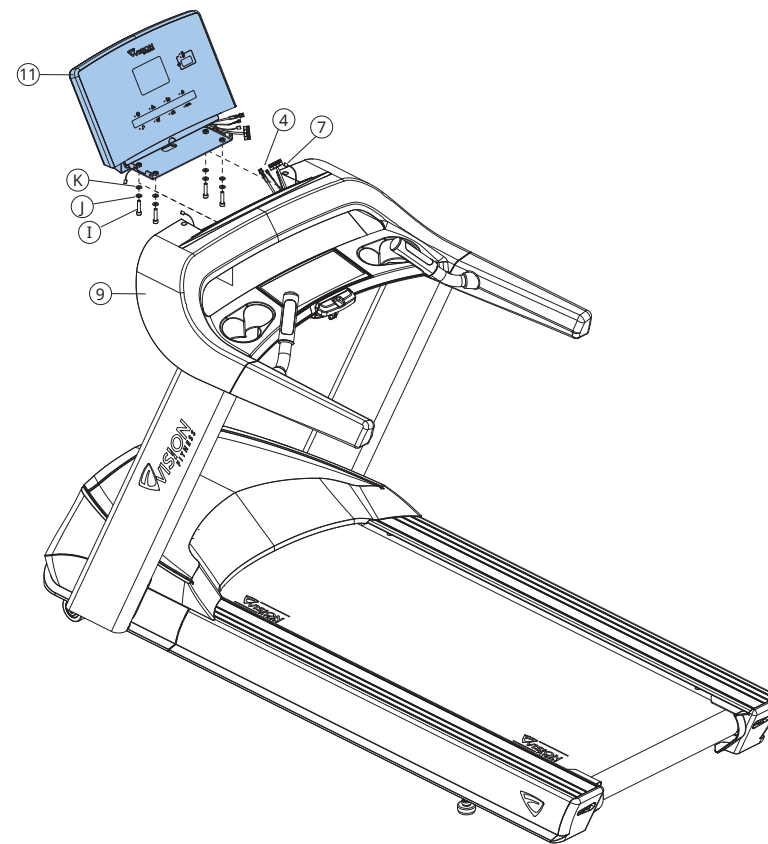


# 4

- ステップ4用の金属製品を開けます。
- コンソールケーブル (4)と心拍数ワイヤー (7)をコンソール (11)に接続し、慎重に余分なケーブルをコンソールベース (9)に差し込みます。
- コンソール (11) をコンソールベース (9)にボルト (I) 4本、バネワッシャー (J) 4個、およびフラットワッシャー (K) 4個を使って取り付けます。

### ステップ4用の金属製品

詳細	数量
I ボルト	4
J バネワッシャー	4
K 平ワッシャー	4





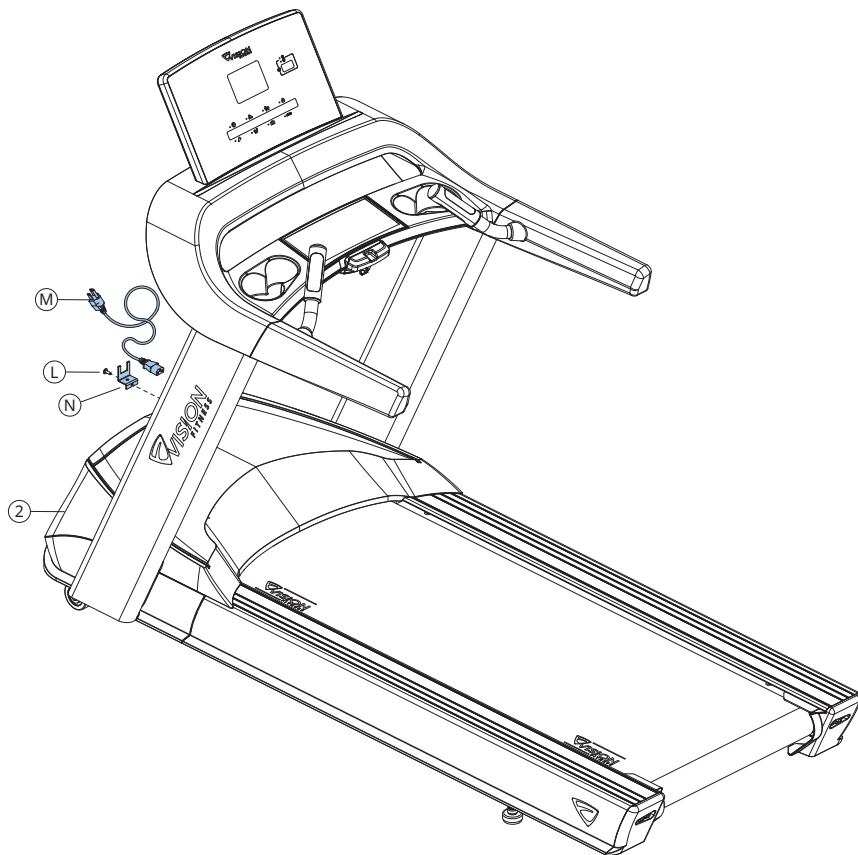
5

- 電源コード (M)をベースフレーム (2)に取り付けます。
- 電源コード保持プレート (N) をベースフレーム (2)にネジ (L) 1本で取り付けます。

ステップ5用の金属製品

詳細	数量
L ネジ	1
M 電源コード	1
N 電源コード保持プレート	1

組み立て完了!







# コンソール操作

## A PROGRAM PROFILE WINDOW (プログラムファイルウィンドウ)

使用されるプログラムのプロフィールを(速度ベースのプログラム実行中の速度および傾斜ベースのプログラム実行中の傾斜)示します。

## B HEART RATE CENTER (心拍センター)

ワークアウト中の実際および目標とする心拍数を表示します。コンソールにはセンサーと接触または心拍数チェストストラップを使用してから15~20秒以内の心拍数が表示されます。TARGET HEART RATEプログラムでは、入力された目標心拍数が60秒ごとにウィンドウに表示されます。

## C INSTRUCTION CENTER (指示センター)

プログラム設定についての指示が段階的に表示されます。ワークアウト中は、ここに時間、ペース、傾斜、距離、速度、レベル、カロリー、およびMETSが表示されます。

## D CONTROL KEYPAD (コントロールキーパッド)

使用者がプログラムの設定とワークアウトを制御できるようにします。

### ① NUMBER KEYパッド (ナンバーキー)

プログラム設定時にプログラムのデータを入力するのに使用します。✓を押して設定を確認します。✖を押してワークアウト設定中に入力されなかったデータを消去します。

### ② SPEED & INCLINE (速度&傾斜)

▲ ▼を使用して速度と傾斜を調整します。

### ③ GO (開始) ▶

を押して、ワークアウトプログラムの選択をせずに、ワークアウトをすぐに開始します。

### ④ STOP (停止) ■

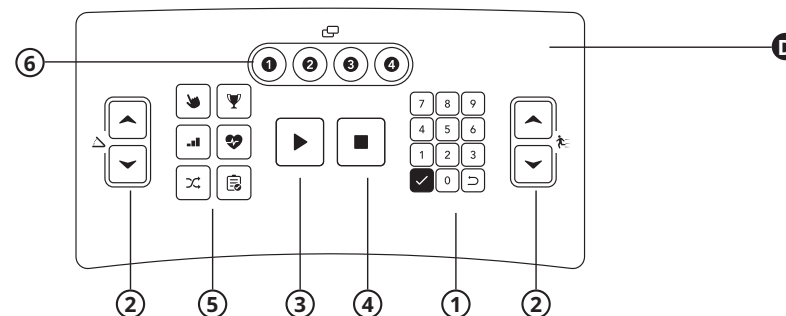
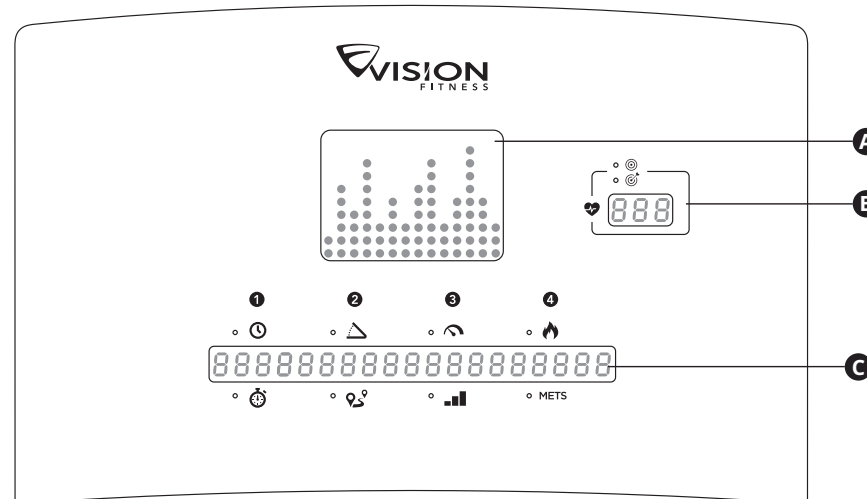
を押してワークアウトを停止します。コンソールをリセットするには、3秒間長押しします。

### ⑤ プログラム(プログラム) キー

を押してプログラムを選択します。Goal+ および Heart Rate+ については、追加プログラムが出るまで複数回追加押します。

### ⑥ ディスプレイの変更(1~4) □

を押してワークアウト中のフィードバック表示を変更します。



組み立ておよびコンソール情報の詳細は、以下のVisionのウェブサイトをご覧ください：  
[world.visionfitness.com](http://world.visionfitness.com)

**注意:** デフォルトでは、時間ウィンドウが合計ワークアウト時間をカウントダウンします。ワークアウト時間が設定されていない場合は、時間ウィンドウが 0:00 からカウントアップします。



## プログラム情報

プログラム		詳細	デフォルト 時間	プロンプト 入力	プログラム コントロール
	クイックスタート	クイックスタートは、エクササイズを最短で始めることができ、設定手順を省略できます。 ▶を押すと、一定レベルのワークアウトが始まり、速度と傾斜は自動的に変更されません。	不適用	不適用	不適用
	手動	手動は、ユーザーがいつでも傾斜や速度を変更できる継続的に行うワークアウトです。	20:00	時間、体重	不適用
	インターバル	インターバル運動は、激しい有酸素運動を行う時間と、それよりも低強度の運動を行う時間に分けられます。ワークアウト中どの時点でも、ユーザーは現在の速度設定を変更できます。	20:00	レベル、時間、体重	上昇
	時間	このワークアウトは、ワークアウトの目標を時間に換算して設定します。目標時間を達成すると、ワークアウトはクールダウンフェーズになります。	20:00	時間、開始傾斜、開始速度、体重	不適用
	距離	このワークアウトは、一定距離での持続力向上のために設計されています。目標を達成すると、ワークアウトは自動でクールダウンフェーズになり、その後終了します。	不適用	距離、開始傾斜、開始速度、重量	不適用
	カロリー	このワークアウトは、選択した時間内に特定カロリーを消費するように設計されています。目標を達成すると、ワークアウトは自動でクールダウンフェーズになり、その後終了します。	不適用	カロリー、開始傾斜、体重	不適用
	ランダム	ランダムは、各ワークアウトで異なる丘や谷の地形をランダムに形成します。	20:00	時間、体重	上昇
	ターゲット HR	ターゲット心拍数は、ふさわしいユーザーを対象とした高強度のワークアウトで、心血管系の利点を特徴とします。ユーザーは、心拍数チェストストリップを装着するか、心拍数グリップを常時握った状態で運動します。プログラムは、実際の心拍数に基づき強度を調節し、理論上の最大値の 80% に心拍数を維持します。	20:00	年齢、心拍数、HR コントロール、最大速度または最大傾斜、時間、体重	速度または上昇
	体重 減量	体重減量は、体脂肪を燃焼させるための低強度のワークアウトです。ユーザーは、心拍数チェストストリップを装着するか、心拍数グリップを常時握った状態で運動します。プログラムは、実際の心拍数に基づき強度を調節し、理論上の最大値の 65% に心拍数を維持します。また、ボディマス指数 (BMI) を使用して、体組成を測定します。	20:00	年齢、心拍数、心拍数コントロール、最大速度または最大傾斜、時間、体重、身長	速度または上昇
	フィットネステスト	Visionトレッドミルは、「Gerkin 消防士プロトコル」というフィットネステストを行うことができます。この Gerkin プロトコルはフェニックス (米国アリゾナ州) 消防署の Richard Gerkin 博士によって開発されました。これは、消防士の体調を調べるために米国全土の多くの消防署によって採用されている、最大下負荷でのトレッドミルによる評価です。このテストでは、ユーザーの心拍数を常時監視する必要があるため、遠隔測定式チェストストラップの使用を強くお勧めします。	不適用	不適用	不適用



# プログラムチャート

## フィットネステスト - GERKIN

ステージ	合計時間	速度 MPH	傾斜 %	推定最大酸素摂取量 (ml/kg/min)	推定最大酸素摂取量達成
0 (ウォームアップ)	1:00	3.0	0	13.3	3.3
	2:00	3.0	0	13.3	3.3
	3:00	3.0	0	13.3	3.3
1	3:30	4.5	0	15.3	4.4
	4:00	4.5	0	17.4	5.0
2	4:30	4.5	2	19.4	5.5
	5:00	4.5	2	21.5	6.1
3	5:30	5.0	2	23.6	6.7
	6:00	5.0	2	27.6	7.9
4	6:30	5.0	4	28.7	8.2
	7:00	5.0	4	29.8	8.5
5	7:30	5.5	4	31.2	8.9
	8:00	5.5	4	32.7	9.3
6	8:30	5.5	6	33.9	9.7
	9:00	5.5	6	35.1	10.0
7	9:30	6.0	6	36.6	10.5
	10:00	6.0	6	38.2	10.9
8	10:30	6.0	8	39.5	11.3
	11:00	6.0	8	40.9	11.6
9	11:30	6.5	8	42.6	12.2
	12:00	6.5	8	44.3	12.7
10	12:30	6.5	10	45.7	13.1
	13:00	6.5	10	47.2	13.5
11	13:30	7.0	10	49.0	14.0
	14:00	7.0	10	50.8	14.5
12	14:30	7.0	12	52.3	14.9
	15:00	7.0	12	53.9	15.4
13	15:30	7.5	12	55.8	15.9
	16:00	7.5	12	57.8	16.5
14	16:30	7.5	14	59.5	17.0
	17:00	7.5	14	61.2	17.5
15	17:30	8.0	14	63.2	18.1
	18:00	8.0	14	65.3	18.7

VO2 最大 (ml/kg/min)		女性				男性			
テスト結果	パーセンタイル	20-29	30-39	40-49	50-59	20-29	30-39	40-49	50-59
最高	99	>53.0	>48.7	>46.8	>42.0	>58.8	>58.9	>55.4	>52.5
	95	46.8	43.9	41.0	36.8	54.0	52.5	50.4	47.1
とても良い	90	44.2	41.0	39.5	35.2	51.4	50.3	48.2	45.3
	80	41.0	38.6	36.3	32.3	48.2	46.8	44.1	41.0
良い	70	38.1	36.7	33.8	30.9	46.8	44.6	41.8	38.5
	60	36.7	34.6	32.3	29.4	44.2	42.4	39.9	36.7
どちらとも言えない	50	35.2	33.8	30.9	28.2	42.5	41.0	38.1	35.2
	40	33.8	32.3	29.5	26.9	41.0	38.9	36.7	33.8
あまり良くない	30	32.3	30.5	28.3	25.5	39.5	37.4	35.1	32.3
	20	30.6	28.7	26.5	24.3	37.1	35.4	33.0	30.2
良くない	10	28.3	26.5	25.1	22.3	34.5	32.5	30.9	28.0
	5	25.9	25.1	23.5	21.1	31.6	30.9	28.3	25.1

### 1. テスト中

- 1.1 停止キーを押すと、マシンはテストを終了し、「テスト終了」と表示されます。
- 1.2 HR (心拍数) > THR (ターゲット心拍数) の状態が15秒を超えたか、18分間のテストが終了すると、マシンは「クールダウン」状態になり、すべてのテストを終了してテスト結果を表示します。
- 1.3 ウォームアップの終了時に心拍数が検出されないと、マシンに「グリップセンサーで心拍数を検出不能」と表示されます。20秒が経過しても、心拍数が検出されない場合、マシンはテストを終了し、クールダウン状態になり、次に「テスト終了」と表示します。

### 2. テスト結果:

合計時間 / カロリー / ステージナンバー / テストレベル

### 3. THR = (220 - 年齢) x 0.85

## インターバル

セグメント レベル	1	2	3	4	5	6	7	8	9	10	11	12	13	14
	傾斜													
L1	1	1	2	1	2	1	3	1	2	1	2	1	1	1
L2	1	2	3	1	3	1	3	1	3	1	3	2	1	1
L3	1	2	3	1	3	1	4	1	3	1	3	2	1	1
L4	1	3	4	1	4	1	5	1	4	1	4	3	1	1
L5	2	3	5	2	5	2	5	2	5	2	5	3	2	2
L6	2	4	5	2	5	2	6	2	5	2	5	4	2	2
L7	2	4	6	2	6	2	7	2	6	2	6	4	2	2
L8	3	5	7	3	7	3	8	3	7	3	7	5	3	3
L9	3	5	8	3	8	3	9	3	8	3	8	5	3	3
L10	3	6	9	3	9	3	10	3	9	3	9	6	3	3

ランダムプログラムマップ情報は、インターバル表から抽出されています。



## 使用を開始する前に

- 1) トレッドミルの動作を妨げるような異物がベルト上にあることを確認してください。
- 2) 電源コードを差し込み、トレッドミルをオンにします。
- 3) トレッドミルのサイドレール上に立ちます。
- 4) トレーニング中に外れないように、安全キーをウェアにしっかりとクリップで取り付けます。

### A) クイックスタート

▶を押してワークアウトを始めます。時間は0:00からカウントされます。ワークアウトは最低の傾斜と速度で始まります。

### B) プログラムの選択

- 1) **プログラムキー**でプログラムを選択し、✓を押します。
- 2) **インストラクションセンター**のプロンプトに従い、ワークアウトプログラム情報を▲▼または**ナンバーキーパッド**を使用して設定します。各セッションが終わったら、✓を押します。
- 3) ▶を押して、ワークアウトを始めます。

注意：速度や傾斜のレベルは、ワークアウト中に調整できます。

### C) ワークアウトの終了

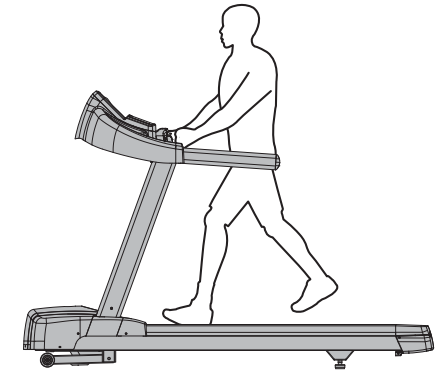
ワークアウトが終わると、コンソールにワークアウトに関する情報が表示されます。

### 現在の選択を消去する

現在選択しているプログラムやスクリーンを消去するには、**停止** ■ を3秒間長押しします。

## 正しい使用法

ベルト上に立ち、腕を少し曲げて心拍数センサーを握ります (図を参照)。トレーニング中は、前のハンドルバーにぶつからずに腕を自然に振ることができるように、ベルトの中央をランニングします。



本機は高速でお使いいただけるようになっています。最初はゆっくりとしたスピードから始め、徐々にスピードを上げてください。本機が稼働したまま放置しないでください。使用しない時、オン/オフスイッチをオフにして、電源プラグをコンセントから抜いてください。最適な性能を維持し、早期電子故障を防止するため、必ず本書に記載のメンテナンススケジュールに従ってください。常時、身体と頭を前に向けてください。本機をご使用中に振り向いたり、後ろを向いたりしてはいけません。痛み、立ちくらみ、めまい、または息切れがしたら、直ちにワークアウトを中止してください。



## ご使用前に

### 本機の場合

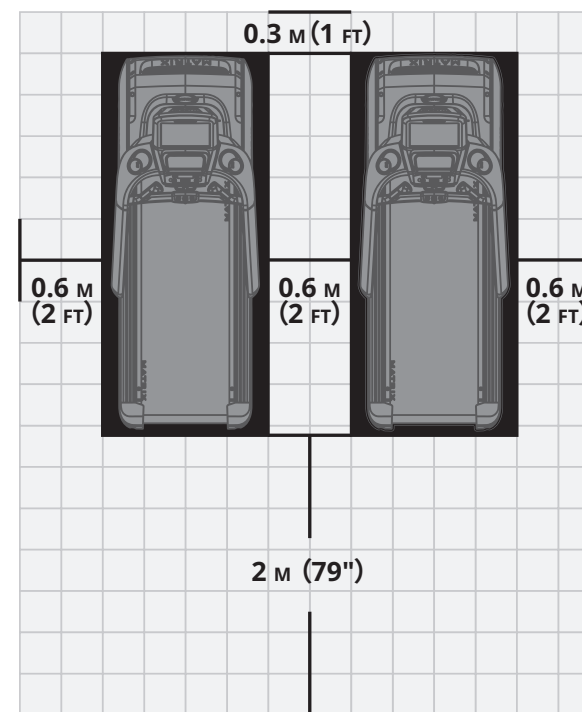
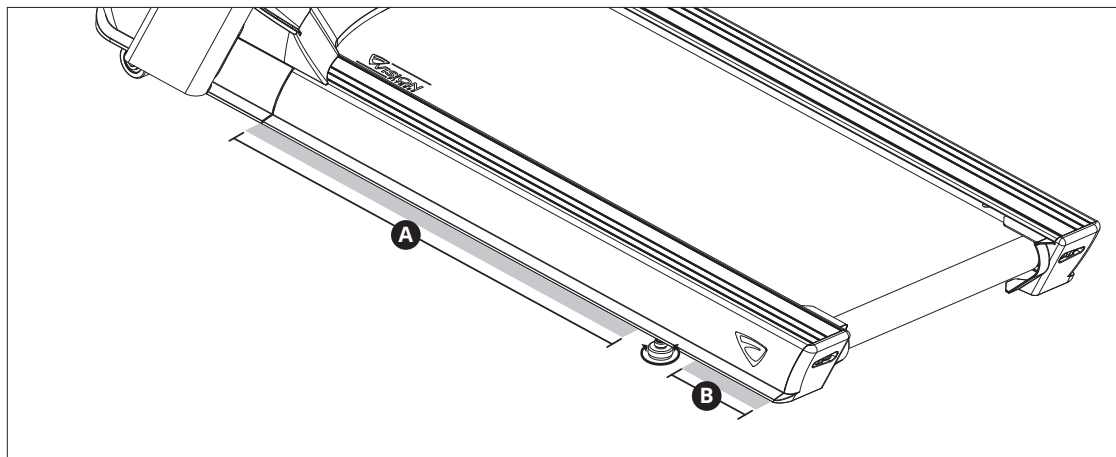
本機は、直接日射のない、平坦で安定した面に配置してください。強い紫外線はプラスチック部の退色を招くことがあります。本機は低温低湿の場所に配置してください。本機の後ろに最低でも本機の幅および長さ2メートル(79インチ)以上のスペースを確保してください。このゾーンは、障害物を避け、本機からの昇降口を十分に確保してください。アクセスを簡単にするために、本機の両側に少なくとも0.6メートル(24インチ)の人が立ち入ることのできるスペースを確保して使用者がどちらの側からでもアクセスできるようにしてください。本機は排気口または通気口を塞ぐ場所に配置しないでください。本機は、ガレージ、屋根付きパティオ、水辺、屋外に配置しないでください。

### 本機のレベリング

本機が正しく機能するにはレベラーが正しく調節されていることが非常に重要です。本機を下げるにはレベリングフットを時計回りに回し、上げるには反時計回りに回します。本機が水平になるまで、両側を必要に応じて調節します。本体のバランスの取れていないと、ベルトのずれやその他の問題が生じることがあります。水準器の使用推奨。

### 本機の移動

本機の移動時のパーツの破損を防ぐため、エリアからのみ **A** または **B** 図示されているとおりに持ち上げてください。



### 警告!

本機は大変重い機械です。本機を移動する際は、で十分に注意して、必要な場合は人数を追加して運搬してください。これらの指示に従わない場合、怪我が発生する恐れがあります。コードや電源プラグが損傷している場合、本機器が正常に作動しない場合、損傷を受けていたり、水浸しになったりした場合には絶対に本機器を稼働させないでください。カスタマー技術サポートに問い合わせ、検査および修理をしてもらってください。



## ランニングベルトを張る

本機を使用場所に設置した後、ベルトが正しい張力で中心が合うように張られているかを確認してください。ベルトは最初に2時間使用した後、調整する必要がある場合があります。ベルトの伸び具合は、温度、湿度、および使用頻度によって異なります。使用者が乗る際にベルトが滑るようになったら、必ず以下の指示に従ってください。

- 1) 本機の裏側にある六角ボルト2本を探します。ボルトは本機の裏側のフレーム両端に1本ずつあります。このボルトを使って裏側のベルトローラーを調整します。本機がオンになるまで調整しないでください。オンになってから調整することで、片側だけ締め付けすぎを回避できます。
- 2) ベルトはフレームの間の両側から同じ距離となる場所にある必要があります。ベルトがいずれかの側に接触している場合は、本機をスタートさせないでください。ボルトを両側で反時計回りに約1回転させてください。ベルトがサイドレールに対して平行になるまで左右に押し、手でベルトが中心に来るように位置決めします。使用者が緩めた場合はボルトを同じだけ締め付けます(約1回転)。ベルトに損傷が無いかを確認します。
- 3) GOボタンを押して本機のランニングベルトをスタートします。速度を毎時4.8キロ(3マイル)まで上げ、ベルトの位置を確認します。右に動く場合は、右のボルトを時計回りに1/4回転させ、左のベルトを1/4回転緩めます。左に動く場合は、左のボルトを時計回りに1/4回転させ、右のベルトを1/4回転緩めます。ベルトが数分間中央に残るようになるまで、ステップ3を繰り返します。
- 4) ベルトの張力を確認します。ベルトはしっかり張っている必要があります。ベルトの上を人間が歩いたり走る際、ベルトがスムーズに動き、滑らないようにしてください。そうならない場合は、両方のボルトを時計回りに1/4回転回してベルトを締め付けます。必要に応じて繰り返してください。

**注意:** サイドレールの横の位置にあるオレンジ色のストリップを基準として使い、ベルトが正しく中央に位置決めされているかどうかを確認します。ベルトの端がオレンジまたは白のストリップに並行になるまでベルトを調整する必要があります。

### 警告!

中央に位置決めしている際、ベルトを毎時4.8キロ(3マイル)を超える速度で動かさないでください。指、髪、衣服を絶対にベルトに近づけないでください。

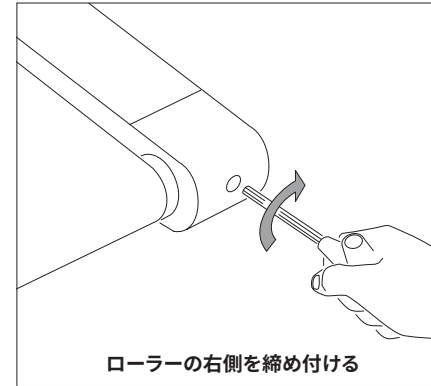
本機は使用者を支え、また緊急的に本機から降りる際に使用できるよう、両側にハンドレールおよび前面にハンドルバーを備えており、緊急ボタンを押して本機を停止させ、即座に降りることができます。

### 本機をご使用になる前に

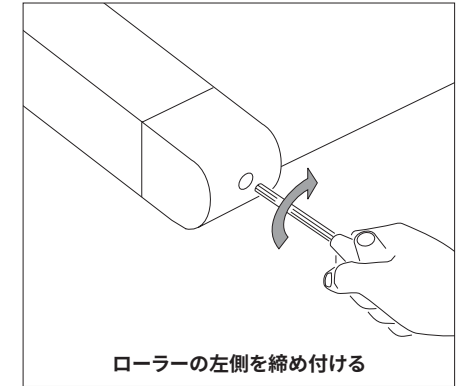
「マネジャーモード」または「技術モード」にある自動較正機能を使用して本機の初期設定および較正を行ってください。

#### 注意:

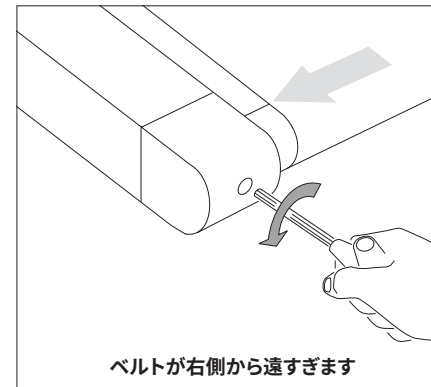
- 自動較正の手順が進行中は絶対にベルトに立たないでください。
- 初期設定および自動較正が完了するまで、傾斜の調節を行わないでください。
- ランニングベルトを張っているときには、指示されるまで、ランニングベルトを作動させたり、またはボタンを押したりしないでください。



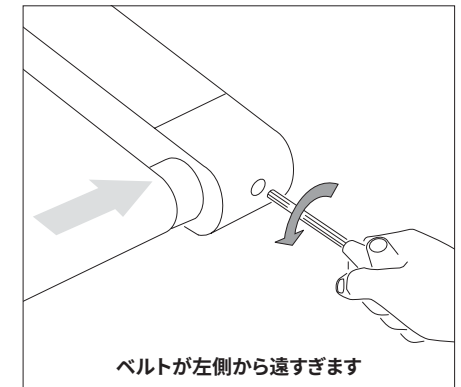
ローラーの右側を締め付ける



ローラーの左側を締め付ける



ベルトが右側から遠すぎます



ベルトが左側から遠すぎます





## 注意!

### 怪我のリスク

本機の使用準備中に、ベルトの上に立たないでください。本機を起動させる前に、サイドレールに足を置いてください。ベルトが始動していないうちにベルトの上を歩かないでください。本機を速いランニング速度で開始したり、ジャンプしたりしないでください。緊急時は両手をサイドアームレストに置き、自分の体を持ち上げてサイドレールに足を乗せて下さい。

### 安全キーの使用

本機は緊急停止ボタンがリセットされていない時には始動しません。服にクリップの端をしっかり取り付けます。この安全キーは転倒しかけた際に本機への電源を遮断するように設計されています。2週間ごとに安全キーの動作を点検してください。

### 警告!

本機を使用の際は、必ず安全キーのクリップを服に取り付けてください。安全キーのクリップを装着し、服から外れないようにしてください。

監督者がいない場合は、逆方向にベルトを回さないでください。最大のデフォルトベルト速度は、毎時3.2キロ (2マイル) であり、認定技術者のみを変更できます。

本機は高速でお使いいただけるようになっています。最初はゆっくりしたスピードから始め、徐々にスピードを上げてください。本機が稼働したまま放置しないでください。使用しない時、オン/オフスイッチをオフにして、電源プラグをコンセントから抜いてください。最適な性能を維持し、早期電子故障を防止するため、必ず本書に記載のメンテナンススケジュールに従ってください。常時、身体と頭を前に向けてください。本機をご使用中に振り向いたり、後ろを向いたりしてはいけません。痛み、立ちくらみ、めまい、または息切れがしたら、直ちにワークアウトを中止してください。

## 心拍数機能を使用する

本製品の心拍数機能は医療機器用ではありません。心拍数グリップはあなたの現在の心拍数を相対的に見積もることができますが、正確な読み取り値が必要になる場合はこの見積もり値を信頼しないでください。心臓リハビリテーションプログラム中の人たちも含めて、胸部または手首のストラップのような代替的な心拍数モニタリングシステムの使用が役に立つ人たちもいます。心拍数の読み取りの精度には、使用者の動きも含めて様々な要素が影響を及ぼします。心拍数の表示は、一般的な心拍数のトレンドを特定するエクササイズ補助用としてのみ意図されています。医師にご相談ください。

### パルスグリップ

手のひらを直接パルスグリップの上に置いてください。心拍数を記録する際は、必ず両手でセンサーを握ってください。心拍数を記録するには、連続で5回分の心臓の鼓動 (15-20秒) が必要です。パルスグリップを握る際は、きつく握らないでください。グリップをきつく握ると、血圧が上昇してしまうことがあります。手をまるめて、ゆるくつかみ続けてください。パルスグリップをずっと握り続けていると、読み出された結果が不規則になる場合があります。正しく接触して読み出せるよう、パルスセンサーを清潔に保ってください。パルスグリップはパルスセンサーとしての使用以外を意図していません。

### 警告!

心拍数監視システムは正確でないこともあります。適度は範囲を超えた運動は、重度の怪我や死亡に至る恐れがあります。めまいを感じた場合、直ちにエクササイズを停止してください。

## 製品仕様

最大ユーザー重量	182 kg / 400 lbs.
製品重量	178 kg / 392 lbs.
積み込み重量	210 kg / 462 lbs.
全体寸法 (長さ x 幅 x 高さ) *	215 x 91 x 154 cm / 85" x 36" x 61"

\*Vision マシンにスムーズにアクセスできるようにし、マシンの周囲に幅 0.6 メートル (24インチ) 以上の空間を確保してください。注: 0.91m (36") は車いす使用者のための ADA 推奨間隔幅です。



## メンテナンス

パーツの取り外しまたは交換は、有資格者のサービス技師が行う必要があります。

- 1) 本機が損傷している、または本機に摩耗している部品や壊れた部品がある場合、本機を使用しないでください。最寄りの Vision 販売店から供給された交換パーツのみを使用してください。
- 2) レベルと銘板の維持: いかなる理由があってもラベルは外さないでください。ラベルには重要な情報が記載されています。ラベルまたは銘板が読み取り不可能、または欠けている場合はご購入の Vision 販売店まで交換をご依頼ください。
- 3) 本機のメンテナンス: 本機を問題なく使用し、損害賠償責任の可能性を最小限にとどめるには、予防的メンテナンスが重要になります。本機は定期的に点検する必要があります。
- 4) 調整、メンテナンス、または修理の実施者は必ず有資格者であることを常に確認してください。Vision 販売店は、ご要望に応じて、当社施設でのサービスとメンテナンスの研修を提供しています。

### 警告!

本機から給電を停止するには、電源コードを壁のコンセントから抜く必要があります。

### お手入れの仕方

予防的メンテナンスおよび日常のお手入れを行うことで、本機の製品寿命と外観を長持ちさせることができます。

- 1) 柔らかくて清潔な綿の布を使用します。本機の表面を拭く際にペーパータオルを使わないでください。ペーパータオルを使用すると擦れて表面に傷がつくことがあります。
- 2) 中性洗剤とぬらした布を使用してください。アンモニアベースの洗剤やアルコールを使用しないでください。これらを使用するとアルミや樹脂部分に接触して色落ちの原因となることがあります。
- 3) 本機のどの部分にも水や溶液をかけないでください。水や溶液がかかると、感電死することがあります。
- 4) コンソール、心拍計測用グリップ、ハンドル、サイドレールは使用後に拭いてください。
- 5) デッキおよびベルト部分に潤滑剤がこびりついている場合はブラシで掃除してください。このこびりつきは、ベルトの材料に潤滑剤が入り込むまでによく発生します。
- 6) 電源コードなど、昇降ホイールの軌道に障害となる物が無いようにしてください。

タッチスクリーンをお手入れする際は、スプレーボトルに入れた蒸留水を使用してください。柔らかく清潔で乾いた布に蒸留水をスプレーし、スクリーンの汚れが取れて乾くまで拭いてください。汚れがひどい場合は、スプレーボトルに酢を加えることをお勧めします。

### 注意!

怪我や本機の損傷を防止するため、本機の設置や移動には手伝ってくれる人員を確保してください。

### メンテナンスのスケジュール

作業	頻度
ユニットの電源プラグを抜きます。機械全体を水と中性洗剤、またはその他使用できる洗剤を用いて洗浄します (洗浄剤には非アルコール系および非アンモニア系のものをご使用ください)。	毎日
電源コードを点検します。電源コードが損傷している場合は、カスタマー技術サポートまで問い合わせてください。	毎日
電源コードが本機の下や保管/使用時に挟まれたり切れたりするような場所に無いことを確認します。	毎日
本機の電源プラグをコンセントから抜き、モーターカバーを外します。ゴミが無いか確認し、乾いた布または小型掃除機で掃除します。 <b>警告:</b> モーターカバーを再度取り付けるまで、本機のプラグを接続しないでください。	毎月
タッチスクリーンのコンソールの場合は、サービスモードにして「テスト」を選択します。「タッチ校正」を選択し、それから「開始」を選択します。画面上の指示に従い、指し示された場所をタッチします。	3か月に1度
(コンソールマストにある) IRセンサーを綿棒で掃除し、アルコールで拭いてください。	3か月に1度

### デッキおよびベルトの交換

トレッドミルで最もよく摩耗および破断するパーツは、デッキとベルトの組み合わせです。この2点が正しくメンテナンスされていないと、他の部品の損傷につながりかねません。本機は、最新のメンテナンス不要の市販潤滑システムを採用しています。

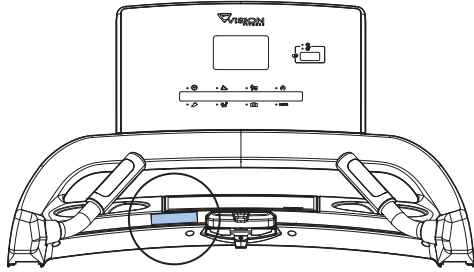
### 警告!

ベルトおよびデッキの清掃中は、本機を作動させないでください。作動させた場合、重傷または本機の損傷の原因となることがあります。ベルトおよびデッキのお手入れをする際は、ベルトおよびデッキの側面を清潔な布で拭いてください。ベルトの両側の下51ミリ(2インチ)を拭いて、埃やゴミを取り除くこともできます。デッキの裏返し、再設置、または交換については、認定された保守技術者のみが行ってください。詳しくは、Vision Fitness Systemsまでお問い合わせください。





العربية



ضع ملصق التحذير هنا

## احتياطات مهمة

### احتفظ بهذه الإرشادات

- عند استخدام جهاز المشي، يجب دوماً اتباع الاحتياطات الأساسية، والتي تشمل ما يلي: اقرأ جميع الإرشادات قبل استخدام هذا الجهاز. يتحمل المالك مسؤولية التأكد من أن مستخدم هذا الجهاز على دراية كافية بجميع التحذيرات والاحتياطات.
- هذا الجهاز مخصص للاستخدام التجاري. لضمان سلامتك ولحماية الجهاز، اقرأ جميع الإرشادات قبل تشغيله.

## خطر!

### لتقليل مخاطر التعرض لصدمة كهربائية:

- احرص دوماً على فصل الجهاز عن مأخذ التيار الكهربائي عقب الاستخدام فوراً، وقبل التنظيف، وعند إجراء الصيانة وتركيب الأجزاء أو فكها.

## تحذير!

### لتقليل مخاطر الإصابة بحروق أو اندلاع حريق أو حدوث صدمة كهربائية أو وقوع إصابات للأشخاص:

- قد تؤدي ممارسة التمرين بشكل غير صحيح أو مفرط إلى حدوث إصابة. إذا شعرت بأي نوع من الألم، كالآلام الصدر أو الغثيان أو الدوار أو ضيق التنفس على سبيل المثال وليس الحصر، فأوقف التمرين على الفور واستشر طبيبك قبل المتابعة.
- عند ممارسة الرياضة، حافظ دائماً على سرعة مريحة.
- لا ترتدي الملابس التي قد تعلق بأي جزء من الجهاز.
- يجب على المستخدم ارتداء الحذاء المناسب (مثل الأحذية الرياضية) عند استخدام جهاز التمرين.
- لا تقفز على الجهاز.
- لا يجب بأي حال من الأحوال أن يتواجد على الجهاز أثناء تشغيله أكثر من شخص واحد.
- لا يجب أن يستخدم الجهاز أشخاصاً تتجاوز أوزانهم الأوزان المحددة في قسم المواصفات بدليل المالك. يؤدي عدم الالتزام بهذه الإرشادات إلى إلغاء الضمان.
- افصل الجهاز عن مصدر التيار الكهربائي قبل إجراء الصيانة أو نقل الجهاز.
- لتنظيف الجهاز، امسح الأسطح بقطعة قماش مبللة قليلاً بالماء والصابون فقط، ولا تستخدم أية مواد مذيبة على الإطلاق. (راجع جزء الصيانة)
- افصل الوحدة من مأخذ التيار الكهربائي أثناء عدم استخدامه وقبل تركيب أو فك أي أجزاء.
- وضل منتج التمرين هذا بمأخذ تيار كهربائي مؤرض على نحو ملائم فقط.
- لا تنزع الأغطية الواقية ما لم يوص بذلك شخص مختص والوكيل المحلي. يجب إجراء أعمال الخدمة فقط من قبل فني خدمة مُصرَّح له
- يؤدي تركيب أجزاء أو ملحقات غير مخصصة للاستخدام مع الجهاز أو متوافقة معه حسبما تم بيعه إلى إلغاء الضمان وقد يُخلّ سلامة مستخدم الجهاز.
- لا يتجاوز مستوى ضغط الصوت للتمرين أ عند تشغيل جهاز المشي على سرعة 12 كم/ساعة (من دون حمولة) 70 ديسيبل، تم قياسها عند ارتفاع الرأس النموذجي.
- يكون إصدار الضوضاء مع وجود حمولة أعلى منه من دون حمولة.
- يُمنع تماماً اقتراب الحيوانات الأليفة أو الأطفال تحت سن 14 سنة من الوحدة بمسافة تقل عن 10 أقدام.
- يُمنع تماماً استخدام الجهاز للأطفال تحت سن 14 سنة.
- يُمنع استخدام الأطفال فوق سن 14 سنة لجهاز المشي دون إشراف الكبار.
- هذا الجهاز غير مخصص للاستخدام من قبل الأشخاص ذوي القدرات الجسدية أو الشعورية أو العقلية المحدودة، أو من يتسمون بقلّة الخبرة والمعرفة، ما لم يتم ذلك تحت إشراف أو بإرشاد الأشخاص المسؤولين عن سلامتهم.
- استخدم الجهاز فقط على النحو الموصوف في دليل المالك.
- لا تعتمد مطلقاً لتشغيل جهاز المشي إذا كان السلك أو القابض تالفاً، أو لم يكن يعمل بشكل ملائم، أو في حالة إسقاطه أو تلفه أو غمره في الماء. اتصل بقسم الدعم الفني للعملاء لإجراء أعمال الفحص والإصلاح.
- لتفادي خطر الإصابة بصدمة كهربائية، يجب توصيل هذا الجهاز فقط بدائرة كهربائية أرضية غير حلقية (معزولة).
- احتفظ بكبل التيار الكهربائي بعيداً عن الأسطح الساخنة. لا تحمل هذه الوحدة بواسطة كبل التوصيل الكهربائي أو تستخدم الكبل كمقبض.
- لا تُشغل الجهاز أثناء سد فتحات التهوية. احتفظ بفتحات التهوية نظيفة على الدوام وخالية من الوبر والشعر وما شابه.
- للحيلولة دون حدوث صدمة كهربائية، لا تعتمد مطلقاً لإسقاط أو إدخال أي شيء في أي فتحة.
- لا تُشغل الجهاز أثناء استخدام منتجات الأيروسول (الريذاذ) أو أثناء إعطاء الأكسجين.
- لفصل الجهاز، أدر جميع الضوابط على وضع إيقاف التشغيل ثم انزع القابض من مأخذ التيار الكهربائي.
- لا تستخدم الجهاز في أي مكان لا يوجد به تحكم في درجة الحرارة، على سبيل المثال لا الحصر، مرائب، أو الشرفات، أو غرف حمام السباحة، أو الحمامات، أو منافذ السيارات، أو في الهواء الطلق. يؤدي عدم الالتزام بهذه الإرشادات إلى إلغاء الضمان.

## تنبيه!

### استشر طبيباً قبل استخدام هذا الجهاز. اقرأ دليل المالك قبل الاستخدام.

- من الضروري استخدام هذا الجهاز فقط في الأماكن الداخلية، وفي غرفة مكيفة الهواء. إذا تعرض هذا الجهاز لدرجات حرارة أكثر برودة أو لطقس عالي الرطوبة، فيوصى بشدة بتدفئة الجهاز حسب درجة حرارة الغرفة قبل استخدامه للمرة الأولى. وقد يؤدي عدم الالتزام بذلك إلى حدوث عطل إلكتروني سابق للأوان. سرعة البدء الأولية (التلقائية) هي 0.5 ميل/ساعة (0.8 كم/ساعة). قد يُعزّض ضبط سرعة البدء على إعداد مرتفع للغاية للأفراد للمخاطر.



## متطلبات الطاقة

### الدائرة المخصصة والمعلومات الكهربائية

تعني "الدائرة المخصصة" أن كل مأخذ كهربائي توصل به الجهاز لا يجب أن يتصل به أي جهاز آخر على نفس الدائرة الكهربائية. وأسهل طريقة للتحقق من ذلك هو تحديد موقع صندوق قاطع الدائرة الرئيسي، ثم إيقاف تشغيل القاطع (القواطع) واحد في كل مرة. بمجرد إيقاف تشغيل القاطع، تكون فقط الأشياء التي لا تستمد طاقتها منه هي الوحدات المطلوب معرفتها. فلا يجب أن ينقطع إمداد التيار الكهربائي عن أية مصابيح أو ماكينات بيع أو مراوح أو أنظمة صوتية أو أي أشياء أخرى عند إجراء هذا الاختبار. وتعني الوصلة غير الحلقية (المعزولة) المحايدة/المؤرضة أن كل دائرة كهربائية تخرج منها وصلة محايدة/مؤرضة خاصة، وتنتهي عند وصلة تأريض معتمدة. ولا يمكن استخدام وصلة عبور محايدة/أرضية منفردة من دائرة كهربائية لأخرى مجاورة لها.

### المتطلبات الكهربائية

لسلامتك ولضمان أداء الجهاز بشكل جيد، يجب أن تكون الوصلة الأرضية لهذه الدائرة غير حلقية (معزولة). يُرجى الرجوع إلى المادتين 21-210 و23-210 من المواصفات القياسية الكهربائية الأمريكية. جهاز المشي مزود بكبل تيار كهربائي وقابس مدرج أدناه ويتطلب مأخذ التيار الكهربائي المدرج أدناه. يؤدي إجراء أية تعديلات على كبل التيار الكهربائي لإلغاء جميع الضمانات على هذا المنتج.

### الوحدات 220 فولت

تستلزم جميع أجهزة المشي من Vision ذات الجهد الكهربائي 220 فولت استخدام "دائرة مخصصة" بجهد كهربائي 216-250 فولت، وتردد 50 هرتز وشدة تيار كهربائي 20 أمبير، مع وصلة محايدة غير حلقية (معزولة)/أرضية لتزويد التيار الكهربائي. ويجب أن يكون مأخذ التيار الكهربائي هذا من نوع 20R-NEMA 6 وأن يكون بنفس تكوين القابس. ولا يُستخدم أي مهايئ مع هذا المنتج.

## إرشادات التأريض

يجب تأريض هذا الجهاز. فإذا كانت ستتعرض لقصور في الأداء أو تتعطل، يوفر التأريض مسازًا بأقل مقاومة يسري خلاله التيار الكهربائي لتقليل مخاطر التعرض لصدمة كهربائية. هذه الوحدة مجهزة بكبل يضم موصل تأريض أجهزة وقابس تأريض. يجب توصيل القابس بمأخذ التيار الكهربائي الملائم والفركب بشكل صحيح والمؤرض حسب جميع القوانين واللوائح المحلية. وإذا لم يتبع المستخدم إرشادات التأريض السابقة، فقد يؤدي ذلك إلى إلغاء ضمان Vision المحدود.

### معلومات كهربائية إضافية

بالإضافة إلى مطلب الدائرة المخصصة، يتعين استخدام سلك العيار الملائم من صندوق قاطع الدائرة الكهربائية لكل مأخذ تيار كهربائي يتصل به أقصى عدد من الوحدات. إذا كانت المسافة بين صندوق قاطع الدائرة الكهربائية إلى كل مأخذ تيار كهربائي 100 قدم (30.5 متر) أو أقل، فيجب إذا استخدام سلك العيار 12. وإذا زادت المسافات إلى صندوق قاطع الدائرة الكهربائية عن 100 قدم (30.5 متر)، فيجب استخدام سلك العيار 10.

### وضع توفير الطاقة / الطاقة المنخفضة

تمت تهيئة جميع الوحدات بحيث أصبحت مزودة بالقدرة على الانتقال إلى وضع توفير الطاقة / الطاقة المنخفضة أثناء عدم استخدامها لمدة زمنية معينة. وقد يستغرق الأمر مدة إضافية لإعادة تنشيط الوحدة بالكامل إذا انتقلت إلى وضع الطاقة المنخفضة. ويمكن تمكين أو تعطيل ميزة توفير الطاقة هذه من "Manager Mode" (وضع المدير) أو "Engineering Mode" (الوضع الهندسي).

## تحذير!

- وَصَلِّ منتج التمرين هذا بمأخذ تيار كهربائي مؤرض على نحو ملائم فقط.
- لا تعتمد مطلقًا لتشغيل المنتج إذا كان الكبل أو القابس تالفًا حتى لو كان يعمل بشكل سليم. لا تعتمد مطلقًا لتشغيل أي منتج إذا بدت عليه علامات التلف، أو كان مغمورًا في الماء. اتصل بقسم الدعم الفني للعملاء لاستبدال المنتج أو إصلاحه. يمكن أن يؤدي عدم اتباع هذه المواصفات إلى تلف المنتج وقد يلغي الضمان:
- يجب أن تؤدي جميع شاشات الفيديو ومأخذ التيار الكهربائي وظيفتها على ما يرام في يوم تسليم / تجميع المنتج. يتحمل العميل مسؤولية أية تكاليف إضافية للتركيب مرتبطة بالزيارات المكررة.
- قد يتذبذب إمداد التيار الكهربائي في منطقتك. لضمان الأداء المستقر للمنتج، استخدم سلك العيار الملائم.

## خطر!

قد يؤدي التوصيل غير الملائم لموصل تأريض الجهاز إلى التعرض لخطر الإصابة بصدمة كهربائية. ناقش الأمر مع فني كهرباء مؤهل أو فني صيانة معتمد إذا ساورتك شكوك بشأن تأريض المنتج بشكل صحيح. لا تقم بتعديل القابس المرفق بالمنتج. وإذا لم يكن مقاسه مناسبًا لمأخذ التيار الكهربائي، فاطلب من فني كهرباء مؤهل تركيب مأخذ مناسب.



## التركيب

### إزالة الغلاف

أزل غلاف الجهاز في المكان الذي سيجري استخدامه فيه. ضع الورق المقوى على سطح مستو ومسطح. ويوصى بوضع غطاء واقٍ على الأرضية. ولا تعتمد مطلقاً لفتح الصندوق وهو على جانبه.

### ملاحظات مهمة

خلال كل خطوة من خطوات التجميع، تأكد من وجود جميع الصواميل والبراغي في مكانها ومن أنها ملولبة جزئياً. تم تشحيم العديد من الأجزاء مسبقاً للمساعدة في التجميع والاستخدام. فيرجى عدم مسح هذا الشحم. أما إذا واجهت صعوبة، فنوصيك بوضع القليل من شحم الليثيوم.

### تحذير!

يجب إيلاء انتباه خاص حيال عدة أجزاء بالجهاز عند التجميع. ويجدر بك اتباع إرشادات التجميع بشكل صحيح والتأكد من ربط كافة الأجزاء بإحكام. وفي حالة عدم اتباع إرشادات التجميع بشكل صحيح، فقد يحتوي الجهاز على بعض الأجزاء غير المحكمة الربط، والتي ستبدو مرتخية وقد تتسبب في صدور ضوضاء مزعجة. لمنع تعرض الجهاز للتلف، يجب مراجعة إرشادات التجميع واتخاذ الإجراءات التصحيحية.

### هل تحتاج لمساعدة؟

إذا كانت لديك أية أسئلة أو في حالة وجود أجزاء مفقودة، اتصل بقسم الدعم الفني للعملاء. تفضل بزيارة الموقع [world.visionfitness.com](http://world.visionfitness.com) للتعرف على معلومات الاتصال.

### الأدوات المطلوبة:

- مفتاح حرف T 8 مم
- مفتاح ألن 8 مم
- مفتاح ألن 6 مم
- مفك فيليبس

### الأجزاء المرفقة:

- 1 إطار القاعدة
- 1 مجموعة قاعدة وحدة التحكم
- 1 مجموعة وحدة التحكم
- 2 سارية وحدة التحكم
- 2 مقاود
- 1 كبل تيار كهربائي
- 1 طقم أدوات حديدية



1

العربية

مهم: لا تحكم ربط البراغي حتى تنتهي من تنفيذ الخطوة 3.

• انزع البرغيين المثبتين مسبقًا (A) وافصل غطاء المحرك (1).

• افتح طاقم الأدوات الحديدية للخطوة 1.

• اربط سارية وحدة التحكم اليسرى (3) بإطار القاعدة (2) باستخدام 4 براغي (B)

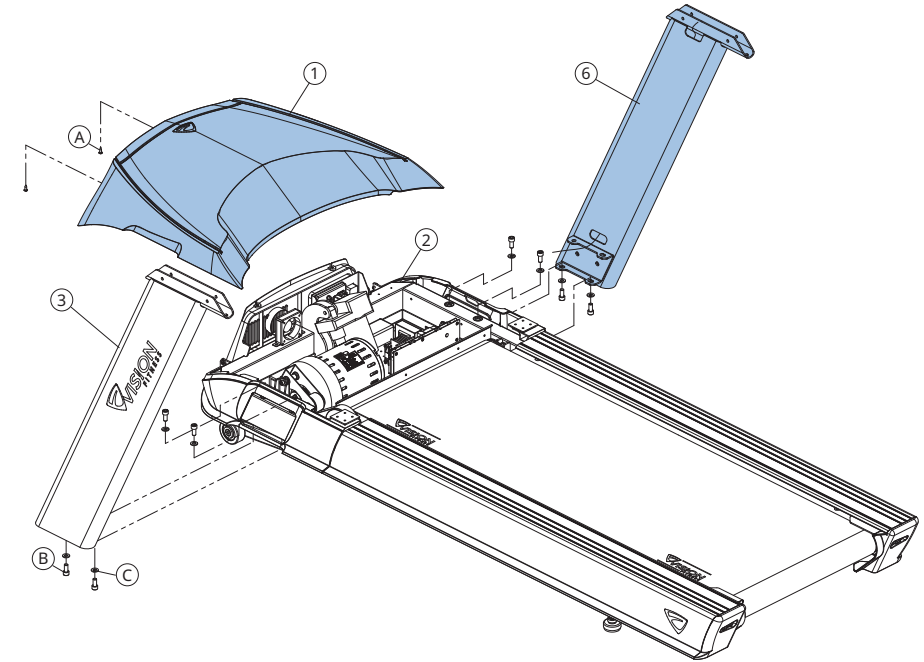
و4 حلقات معدنية مسطحة (C) من الأعلى والأسفل.

• اربط سارية وحدة التحكم اليمنى (6) بإطار القاعدة (2) باستخدام 4 براغي (B) و4 حلقات معدنية مسطحة (C) من الأعلى والأسفل.

ملاحظة: احرص على عدم قطع الأسلاك أثناء توصيل المقود.

طاقم الأدوات الحديدية للخطوة 1

الوصف	الكمية
A البرغي المثبت مسبقًا	2
B برغي	8
C حلقة معدنية مسطحة	8



2

• افتح طاقم الأدوات الحديدية للخطوة 2.

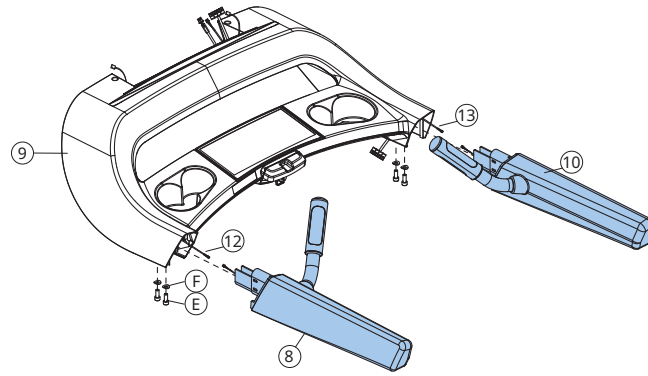
• وُضِّل سلك قبضة معدل النبضات (12)، وتخلص من مريط السلك، ثم أدخل الكبلات في قضيب المقبض الأيسر (8) وحركها إلى داخل قاعدة وحدة التحكم (9).

• وُضِّل سلك قبضة معدل النبضات (13)، وتخلص من مريط السلك، ثم أدخل الكبلات في قضيب المقبض الأيمن (10) وحركها إلى داخل قاعدة وحدة التحكم (9).

• وُضِّل المقودين (8 و10) بقاعدة وحدة التحكم (9) باستخدام 4 براغي (E) و4 حلقات معدنية مقوسة (F).

طاقم الأدوات الحديدية للخطوة 2

الوصف	الكمية
E برغي	4
F حلقة معدنية قوسية	4



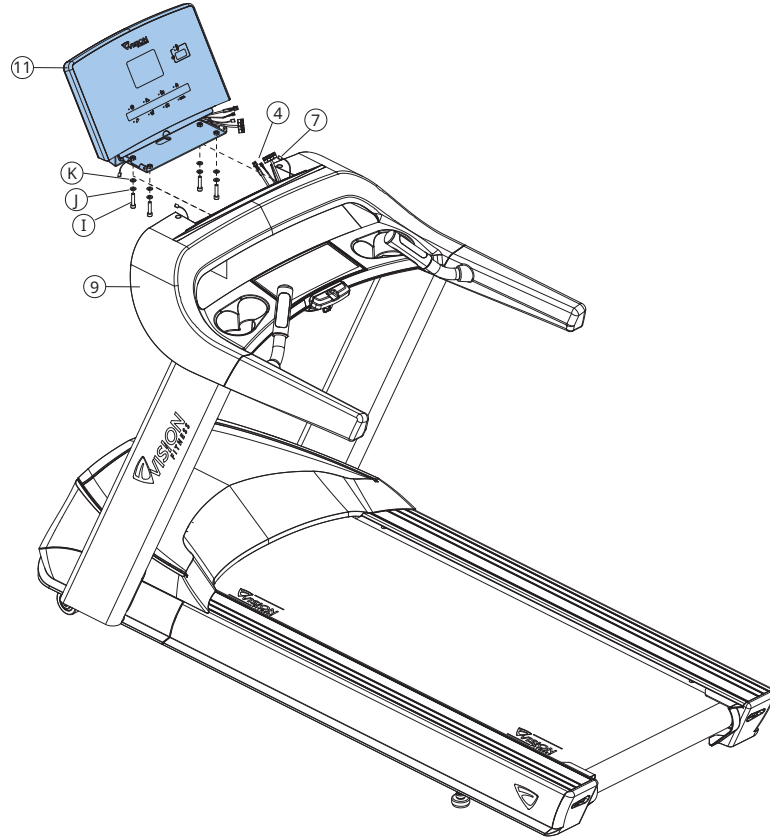


## 4

- افتح طاقم الأدوات الحديدية للخطوة 4
- وصل كبلات وحدة التحكم (4) وأسلاك مُعدل النبضات (7) بوحدَة التحكم (11) ومرر الجزء الزائد من الكبل بحرص إلى داخل قاعدة وحدة التحكم (9).
- وصل وحدة التحكم (11) بقاعدة وحدة التحكم (9) باستخدام 4 براغي (I) و 4 حلقات معدنية زنبركية (J) و 4 حلقات معدنية مسطحة (K).

### طاقم الأدوات الحديدية للخطوة 4

الوصف	الكمية
I برغي	4
J حلقة معدنية زنبركية	4
K حلقة معدنية مسطحة	4

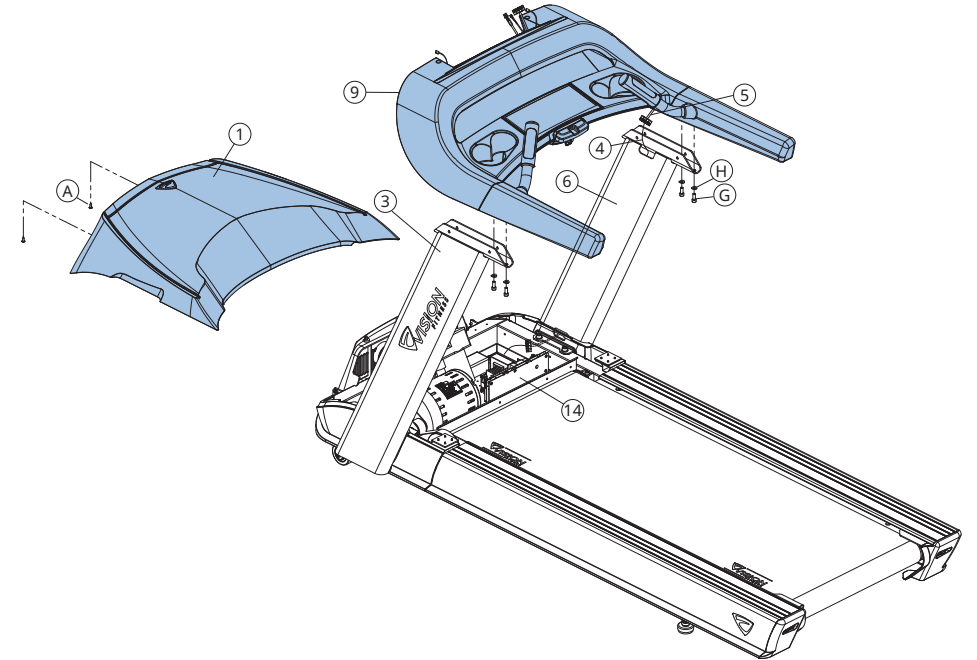


## 3

- افتح طاقم الأدوات الحديدية للخطوة 3.
- وصل السلك الرصاصي (4) بكبل وحدة التحكم (5) واسحب السلك عبر سارية وحدة التحكم اليميني (6). بعد سحب السلك الرصاصي خلال السارية يجب أن يكون الجزء العلوي من كابل وحدة التحكم متصلاً بـ MCB(14). افصل السلك الرصاصي وتخلص منه.
- وصل قاعدة وحدة التحكم (9) بساريتي وحدة التحكم (3) و (6) باستخدام 4 براغي (G)، و 4 حلقات معدنية مقوسة (H).
- اربط جميع البراغي من الخطوة 1 إلى 3.
- ركب غطاء الفتح (1) باستخدام البرغيين المثبتين مسبقاً (A).

### طاقم الأدوات الحديدية للخطوة 3

الوصف	الكمية
G برغي	4
H حلقة معدنية قوسية	4





5

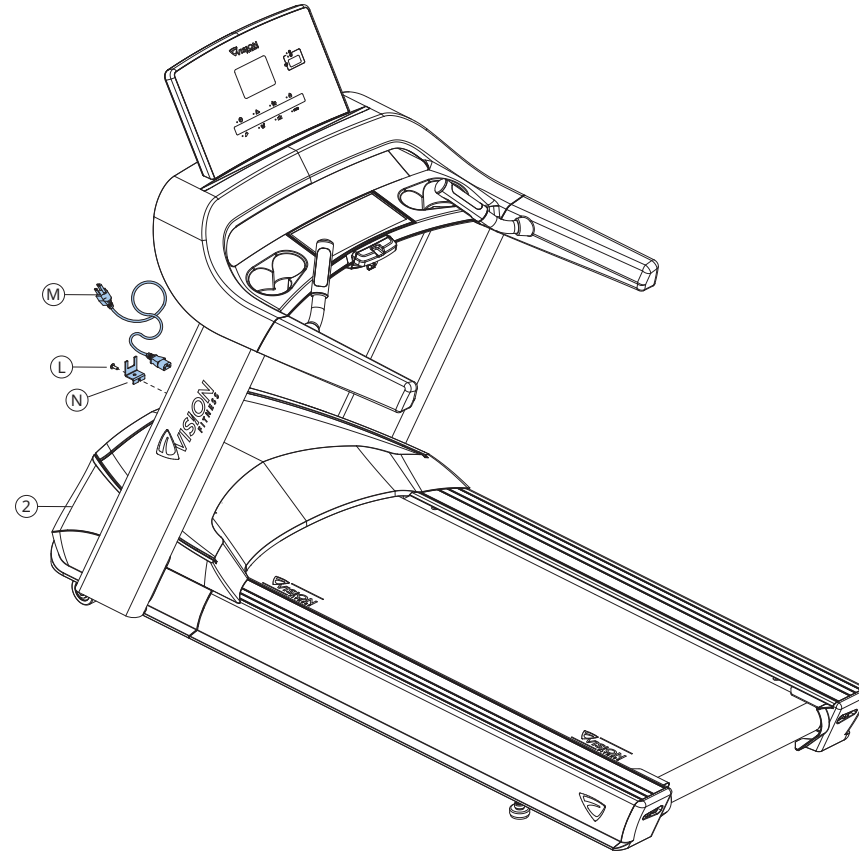
- ركب كبل التيار الكهربائي (M) على إطار القاعدة (2).
- ركب لوح تثبيت كبل التيار الكهربائي (N) على إطار القاعدة (2) باستخدام برغي واحد (L).

العربية

طاقم الأدوات الحديدية للخطوة 5

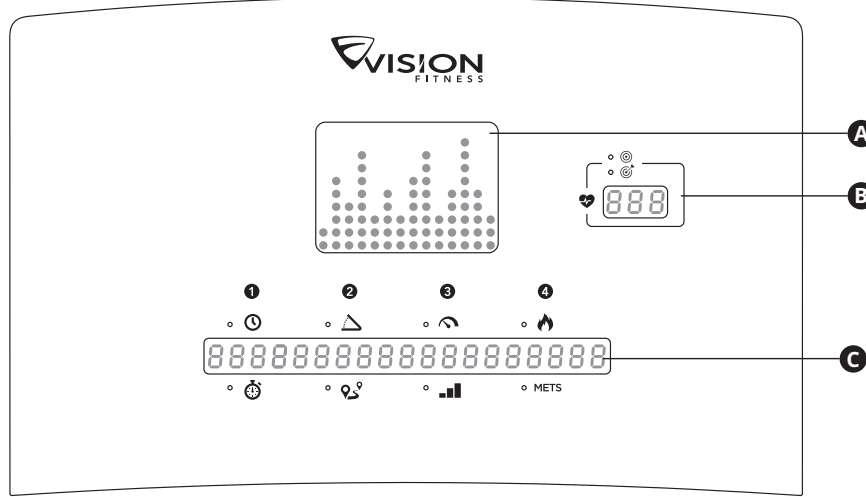
تم استكمال التجميع!

الوصف	الكمية
L برغي	1
M كبل التيار الكهربائي	1
N لوح تثبيت كبل التيار الكهربائي	1





## تشغيل وحدة التحكم



### A نافذة الملف التعريفي للبرنامج

تعرض الملف التعريفي للبرنامج قيد الاستخدام (السرعة في أثناء تشغيل البرامج القائمة على السرعة والميل في أثناء تشغيل البرامج القائمة على الميل).

### B مركز معدل النبضات

يعرض معدل نبضات قلبك الفعلي والمستهدف خلال التمرين. تعرض وحدة التحكم معدل النبضات في غضون 15 إلى 20 ثانية من لمس المستشعرات أو استخدام حزام الصدر لقياس معدل النبضات. في برنامج "معدل النبضات المستهدف"، سيتم عرض معدل النبضات المستهدف الذي يتم إدخاله في النافذة كل 60 ثانية.

### C مركز الإرشادات

يعرض إرشادات خطوة بخطوة لإعداد برنامج. وفي أثناء التمرين، يعرض البرنامج الوقت والسرعة والميل والمسافة والسرعة والمستوى والسرعات الحرارية والمكافئ الأيضي للمهمة.

### D لوحة مفاتيح التحكم

تتيح للمستخدم إعداد البرامج والتحكم في التمرين.

#### 1 لوحة الأرقام

تستخدم لإدخال بيانات البرنامج في أثناء إعداد البرنامج. اضغط على ✓ لتأكيد الإعدادات. اضغط على D لمسح البيانات التي لم يتم إدخالها بعد في أثناء إعداد التمرين.

#### 2 السرعة والميل

استخدم ▲ ▼ لضبط السرعة أو الميل.

#### 3 انطلق

اضغط عليه لبدء التمرين على الفور، دون الحاجة لتحديد برنامج للتمرين.

#### 4 توقف

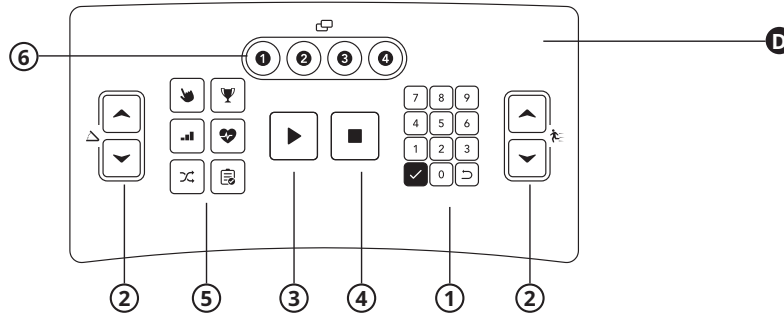
اضغط عليه لإيقاف التمرين. اضغط مع الاستمرار لمدة 3 ثوانٍ لإعادة ضبط لوحة التحكم.

#### 5 مفاتيح البرنامج

اضغط عليها لتحديد برنامج. بالنسبة لمفاتيح Goal (+الهدف) و Heart Rate (+معدل النبضات)، اضغط على المفتاح بشكل متكرر للحصول على برامج أخرى.

#### 6 تغيير العرض (1 - 4)

اضغط عليه لتغيير نتائج العرض في أثناء التمرين.



يُرجى زيارة موقع Vision الإلكتروني للتعرف على المزيد من المعلومات حول التجميع ووحدة التحكم.  
[world.visionfitness.com](http://world.visionfitness.com)

**ملاحظة:** سوف تعرض نافذة الوقت العد تنازلي بدءاً من إجمالي وقت التمرين. وفي حالة عدم ضبط مدة للتمرين، فسوف تبدأ نافذة الوقت في العد بدءاً من 0:00.





## معلومات البرنامج

البرنامج	الوصف	الوقت الافتراضي	الإدخال المطلوب	ضوابط البرنامج
البدء السريع	البدء السريع هو أسرع طريقة لبدء التمرين وتجاوز توجيهاً الإعداد. بعد الضغط على ▶ يبدأ التمرين بمستوى ثابت، ولا يتم تغيير السرعة والميل تلقائياً.	لا يوجد	لا يوجد	لا يوجد
يدوي	الإعداد اليدوي هو تمرين بجهد ثابت يمكن للمستخدم خلاله تغيير الميل أو السرعة في أي وقت.	20:00	الوقت، الوزن	لا يوجد
المدة	المدة هي فترات التمارين الهوائية الشاقة التي تفصل بينها فترات منتظمة من التمارين منخفضة الشدة. ويمكن للمستخدم في أي مرحلة خلال التمرين تغيير إعدادات السرعة الحالية.	20:00	المستوى , الوقت، الوزن	الرفع
الوقت	يضبط هذا التمرين المدة كهدف التمرين. بمجرد تحقيق المدة المستهدفة، ينتقل التمرين إلى مرحلة الإبطاء.	20:00	الوقت، الميل عند البدء، السرعة عند البدء، الوزن	لا يوجد
المسافة	ضمم هذا التمرين لبناء القدرة على التحمل خلال مسافة معينة. بمجرد تحقيق الهدف، ينتقل التمرين تلقائياً إلى مرحلة الإبطاء، ثم ينتهي بعد ذلك.	لا يوجد	المسافة، الميل عند البدء، السرعة عند البدء، الوزن	لا يوجد
السرعات الحرارية	ضمم هذا التمرين لحرق عدد معين من السرعات الحرارية خلال مدة زمنية محددة. بمجرد تحقيق الهدف، ينتقل التمرين تلقائياً إلى مرحلة الإبطاء، ثم ينتهي بعد ذلك.	لا يوجد	السرعات الحرارية، الميل عند البدء، الوزن	لا يوجد
عشوائي	ينشئ الإعداد العشوائي نمطاً عشوائياً للمستوى يتضمن ارتفاعات وانخفاضات تختلف مع كل تمرين.	20:00	الوقت، الوزن	الرفع
معدل النبضات المستهدف	يعد معدل النبضات المستهدف تمريناً أكثر شدة للمستخدمين ذوي اللياقة البدنية المرتفعة، مما يعزز مزايا التمرين القلبي الوعائي. يجب على المستخدم ارتداء حزام الصدر الخاص بقياس معدل النبضات أو وضع اليدين باستمرار على مقبضي قياس معدل النبضات. يضبط البرنامج مستوى الشدة، بناءً على معدل النبضات الفعلي، للحفاظ على معدل النبضات عند 80 في المائة من الحد الأقصى النظري له.	20:00	السن، معدل النبضات، التحكم في معدل النبضات، أقصى سرعة أو أقصى ميل، الوقت، الوزن	سرعة الرفع
معدل النبضات + معدل	فقدان الوزن هو تمرين منخفض الشدة يهدف لحرق الدهون المخزنة بالجسم. يجب على المستخدم ارتداء حزام الصدر الخاص بقياس معدل النبضات أو وضع اليدين باستمرار على مقبضي قياس معدل النبضات. يضبط البرنامج مستوى الشدة، بناءً على معدل النبضات الفعلي، للحفاظ على معدل النبضات عند 65 في المائة من الحد الأقصى النظري له. وهو يستخدم مؤشر كتلة الجسم لقياس تكوين جسمك.	20:00	السن، معدل النبضات، التحكم في معدل النبضات، أقصى سرعة أو أقصى ميل، الوقت، الوزن، الطول	سرعة الرفع
اختبار اللياقة البدنية	يوفر جهاز المشي من Vision اختبارات للياقة البدنية-بروتوكول جيركين لرجال الإطفاء، طوّر الدكتور ريتشارد جيركين بدائرة إطفاء الحرائق في فينيكس (أريزونا) بروتوكول جيركين. وهو تقييم متدرج للحد الأقصى الفرعي على جهاز المشي تستخدمه العديد من دوائر الإطفاء في مختلف أنحاء الولايات المتحدة لتقييم الحالة الجسدية لرجال الإطفاء. ويتطلب الاختبار المراقبة المستمرة لمعدل نبضات المستخدم ولذلك يوصى بشدة باستخدام حزام الصدر للقياس عن بُعد.	لا يوجد	لا يوجد	لا يوجد



## مخططات البرامج

## نيكيريچ - قدينبلا قايلا رابتخا

ذكور				إناث				الحد الأقصى لاستهلاك الأكسجين (مل / كجم / دقيقة)	
59-50	49-40	39-30	29-20	59-50	49-40	39-30	29-20	النقطة المنوية	نتيجة الاختبار
52.5< 47.1	55.4< 50.4	58.9< 52.5	58.8< 54.0	42.0< 36.8	46.8< 41.0	48.7< 43.9	53.0< 46.8	99 95	فائق
45.3 41.0	48.2 44.1	50.3 46.8	51.4 48.2	35.2 32.3	39.5 36.3	41.0 38.6	44.2 41.0	90 80	ممتاز
38.5 36.7	41.8 39.9	44.6 42.4	46.8 44.2	30.9 29.4	33.8 32.3	36.7 34.6	38.1 36.7	70 60	جيد
35.2 33.8	38.1 36.7	41.0 38.9	42.5 41.0	28.2 26.9	30.9 29.5	33.8 32.3	35.2 33.8	50 40	متوسط
32.3 30.2	35.1 33.0	37.4 35.4	39.5 37.1	25.5 24.3	28.3 26.5	30.5 28.7	32.3 30.6	30 20	ضعيف
28.0 25.1	30.9 28.3	32.5 30.9	34.5 31.6	22.3 21.1	25.1 23.5	26.5 25.1	28.3 25.9	10 5	ضعيف جدا

## 1 أثناء الاختبار.

1.1 إذا تم الضغط على مفتاح التوقف، فسوف ينهي الجهاز الاختبار ويعرض عبارة "TEST TERMINATED" (تم إنهاء الاختبار).

1.2 عندما يتجاوز HR (معدل النبضات) < THR (معدل النبضات المستهدف) 15 ثانية أو يُتم اختبارات لمدة 18 دقيقة، فسوف يدخل الجهاز في حالة "COOL DOWN" (إبطاء) لإنهاء جميع إجراءات الاختبارات وعرض نتائج الاختبار.

1.3 عند الانتهاء من الإحماء، وإذا لم يتم الكشف عن معدل النبضات، فسوف يعرض الجهاز "HEART RATE LOST GRIP SENSORS" (فقدان معدل النبضات عبر مستشعرات القبض). وإذا زادت المدة عن 20 دقيقة، ولا يزال لا يتم الكشف عن معدل النبضات، فسوف ينهي البرنامج الاختبار ويدخل في حالة الإبطاء، ثم يعرض "TEST TERMINATED" (تم إنهاء الاختبار).

## 2 نتائج الاختبار:

الوقت الكلي / السرعات الحرارية / رقم المرحلة / مستوى الاختبار

3. مُعدل النبضات المستهدف = (220 - السن) × 0.85

المرحلة	الوقت الكلي	السرعة (ميل / ساعة)	الميل %	الحد الأقصى المتوقع للاكسجين المستهلك (مل / كجم / دقيقة)	المكافئ الايضى للحد الأقصى المتوقع للاكسجين المستهلك
0 (الإحماء)	1:00 2:00 3:00	3.0 3.0 3.0	0 0 0	13.3 13.3 13.3	3.3 3.3 3.3
1	3:30 4:00	4.5 4.5	0 0	15.3 17.4	4.4 5.0
2	4:30 5:00	4.5 4.5	2 2	19.4 21.5	5.5 6.1
3	5:30 6:00	5.0 5.0	2 2	23.6 27.6	6.7 7.9
4	6:30 7:00	5.0 5.0	4 4	28.7 29.8	8.2 8.5
5	7:30 8:00	5.5 5.5	4 4	31.2 32.7	8.9 9.3
6	8:30 9:00	5.5 5.5	6 6	33.9 35.1	9.7 10.0
7	9:30 10:00	6.0 6.0	6 6	36.6 38.2	10.5 10.9
8	10:30 11:00	6.0 6.0	8 8	39.5 40.9	11.3 11.6
9	11:30 12:00	6.5 6.5	8 8	42.6 44.3	12.2 12.7
10	12:30 13:00	6.5 6.5	10 10	45.7 47.2	13.1 13.5
11	13:30 14:00	7.0 7.0	10 10	49.0 50.8	14.0 14.5
12	14:30 15:00	7.0 7.0	12 12	52.3 53.9	14.9 15.4
13	15:30 16:00	7.5 7.5	12 12	55.8 57.8	15.9 16.5
14	16:30 17:00	7.5 7.5	14 14	59.5 61.2	17.0 17.5
15	17:30 18:00	8.0 8.0	14 14	63.2 65.3	18.1 18.7

## المدد الزمنية

القسمة	1	2	3	4	5	6	7	8	9	10	11	12	13	14
المستوى	الميل													
L1	1	1	2	1	2	1	3	1	2	1	2	1	1	1
L2	1	1	2	3	1	3	1	3	1	3	1	3	2	1
L3	1	1	2	3	1	3	1	4	1	3	1	3	2	1
L4	1	1	3	4	1	4	1	5	1	4	1	4	3	1
L5	2	2	3	5	2	5	2	5	2	5	2	5	3	2
L6	2	2	4	5	2	5	2	6	2	5	2	5	4	2
L7	2	2	4	6	2	6	2	7	2	6	2	6	4	2
L8	3	3	5	7	3	7	3	8	3	7	3	7	5	3
L9	3	3	5	8	3	8	3	9	3	8	3	8	5	3
L10	3	3	6	9	3	9	3	10	3	9	3	9	6	3

في منزل ددمال لودج نم قيو او وضع لاجام نربنر لاطيرخ تامول عم يلغ لوصح ل مت



## الاستعداد للبدء

- 1 (تحقق من عدم وجود أشياء على السير من شأنها إعاقة حركة جهاز المشي.
- 2 (وصل كبل التيار الكهربائي بمصدر التيار وقم بتشغيل جهاز المشي.
- 3 (قف فوق الحواجز الجانبية لجهاز المشي.
- 4 (اربط مشبك مفتاح السلامة بجزء من ملابسك مع التأكد من ثباته وعدم انفصاله أثناء التمرين.

### أ) البدء السريع

اضغط فقط على ▶ لبدء التمرين. سيتم بدء العد التصاعدي من 0:00. يبدأ التمرين بأقل ميل وسرعة.

### ب) حدد البرنامج

- 1 (حدد برنامجًا باستخدام مفاتيح البرامج واضغط على ✓.
- 2 (اتبع التوجيهات على مركز الإرشادات لضبط برنامج التمرين باستخدام ▲▼ أو لوحة الأرقام. اضغط على ✓ بعد كل اختيار.
- 3 (اضغط على ▶ لبدء التمرين.

ملاحظة: يمكنك ضبط مستويات السرعة والميل خلال التمرين.

### ج) إنهاء التمرين

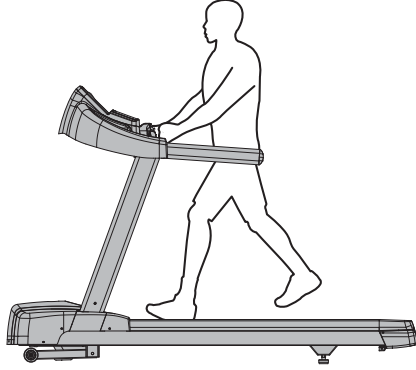
عندما تستكمل التمرين، سيتم عرض معلومات التمرين على وحدة التحكم.

### لمسح الاختيار الحالي

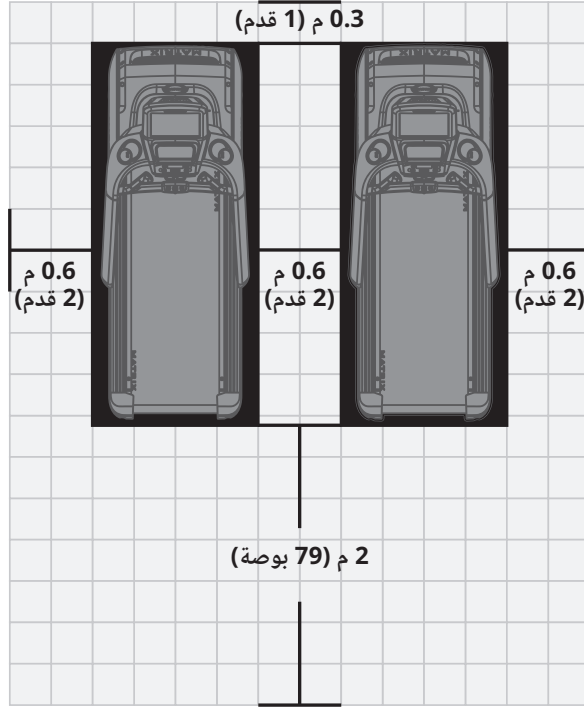
لمسح البرنامج المحدد حاليًا أو الشاشة الحالية، اضغط باستمرار على توقف ■ لمدة 3 ثوان.

## الاستخدام الملائم

ضع قدميك على السير، وقم بثني ذراعيك قليلاً وأمسك بمستشعرات معدل النبضات (على النحو الموضح). أثناء الجري، يجب أن تكون قدمك موجودتين في وسط السير حتى يتسنى لك تحريك يديك بشكل طبيعي دون لمس المقابض الأمامية.



يمكن أن يبلغ جهاز المشي سرعات عالية. ابدأ التمرين دوماً باستخدام سرعة أقل وزد السرعة تدريجياً حتى تبلغ مستويات أعلى. لا تترك جهاز المشي دون متابعة أثناء تشغيله. أوقف تشغيل الجهاز بواسطة مفتاح التشغيل/إيقاف التشغيل وافصل قابس التيار الكهربائي. احرص على اتباع جدول الصيانة في هذا الدليل للمحافظة على أفضل أداء للجهاز ومنع تلف المكونات الإلكترونية السابق للأوان. اجعل جسمك ورأسك متجهين للأمام، ولا تحاول الاستدارة أو النظر للخلف أثناء تشغيل جهاز المشي. أوقف التمرين على الفور إذا شعرت بأي ألم أو دووار أو إغماء أو ضيق في التنفس.



## قبل البدء

### موقع جهاز المشي

ضع الجهاز على سطح مستو ومستقر بعيدًا عن أشعة الشمس المباشرة. قد تؤدي الأشعة فوق البنفسجية الشديدة لتغيير لون الأجزاء البلاستيكية. ضع الجهاز في منطقة تتسم ببرودة درجة الحرارة وانخفاض الرطوبة. يرجى ترك منطقة خالية خلف جهاز المشي لا يقل عرضها عن عرض الجهاز نفسه ولا يقل طولها عن 79 بوصة (مترين). يجب أن تكون هذه المنطقة خالية من أية إعاقات لتكون بمثابة مسار خروج خال من مكان الجهاز. لسهولة الوصول، يجب أن يكون هناك مساحة يمكن الوصول إليها على جانبي الجهاز لا تقل عن 24 بوصة (0.6 متر) للسماح للمستخدم بالوصول إلى جهاز المشي من أي من الجانبين. لا تضع جهاز المشي في أي مكان يعوق التهوية أو يسد فتحات الهواء. لا يجب وضع جهاز المشي بداخل مرآب السيارات أو في فناء مغطى، أو بالقرب من الماء أو في مكان خارجي.

### وضع جهاز المشي على سطح مستو

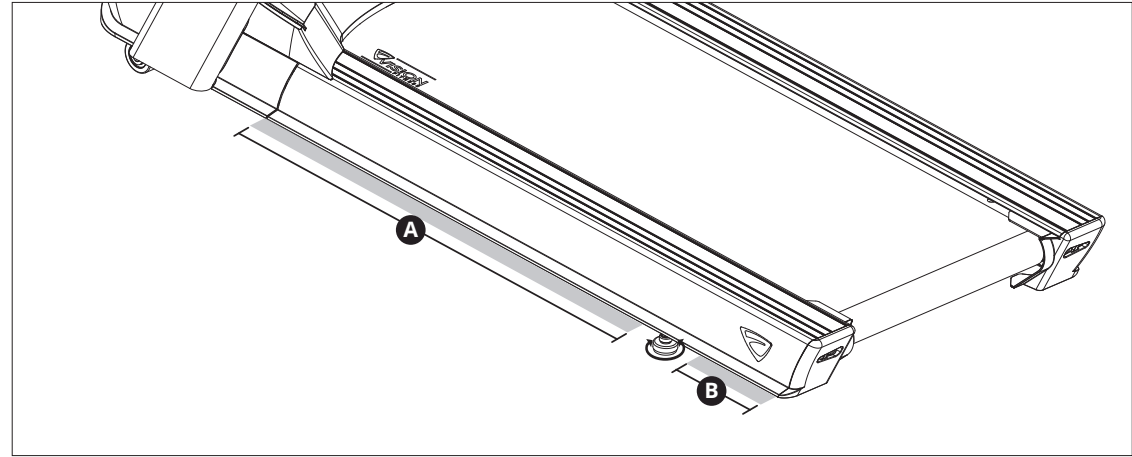
من المهم للغاية ضبط أداتي توحيد المستوى بشكل صحيح حتى يعمل الجهاز على النحو المرجو. أدر قاعدة توحيد المستوى في اتجاه عقارب الساعة لخفض جهاز المشي وفي عكس اتجاه عقارب الساعة لرفعه. اضبط كلا الجانبين حسب الحاجة حتى يصبح جهاز المشي مستويًا. قد يتسبب عدم اتزان الوحدة في سوء محاذاة السير أو مشكلات أخرى. فيوصى باستخدام وضعية مستوية للجهاز.

### نقل جهاز المشي

لتجنب تلف الأجزاء عند نقل جهاز المشي، ارفعه فقط من المنطقة **A** أو **B** كما هو موضح في الصورة.

### تحذير!

الجهاز ثقيل جدًا، فتوخّ الحذر واطلب الحصول على المساعدة إذا لزم الأمر ذلك عند نقله. قد يؤدي عدم اتباع هذه الإرشادات إلى التعرض للإصابة. لا تعتمد مطلقًا لتشغيل الجهاز إذا كان الكبل أو القابس تالفًا، أو لم يكن يعمل بشكل سليم، أو كان تالفًا أو مغمورًا في الماء. اتصل بقسم الدعم الفني للعملاء لإجراء أعمال الفحص والإصلاح.





## شد سير التشغيل

بعد وضع جهاز المشي في الموضع الذي سيستخدم به، سيتم فحص السير للتأكد من الشد والتوسيط. قد يلزم ضبط السير بعد أول ساعتين من الاستخدام. يتسبب كل من درجة الحرارة والرطوبة والاستخدام في تمدد السير بمعدلات مختلفة. إذا بدأ السير بالانزلاق عند وجود المستخدم فوفقه، فتأكد من اتباع الإرشادات أدناه.

- 1 (ضع البرغيين سداسيي الرأس على الجزء الخلفي من جهاز المشي. توجد البراغي في كل طرف إطار في الجزء الخلفي من الجهاز. تضبط هذه البراغي بكرة السير الخلفية. لا تضبط حتى يتم تشغيل الجهاز. هذا سيمنع من إحكام ربط جانب واحد.
- 2 (يجب أن يكون للسير مسافة متساوية على كلا الجانبين بين الإطار. إذا كان السير يلمس جانبًا واحدًا، فلا تقم بتشغيل الجهاز. قم بتدوير البراغي بعكس اتجاه عقارب الساعة لفة كاملة تقريبًا واحدة على كل جانب. قم بتثبيت السير يدويًا عن طريق دفع السير من جانب إلى آخر حتى يكون متوازنًا مع الحواجز الجانبية. قم بشد البراغي بنفس المقدار التي كانت عليه عند قيام المستخدم بتخفيفها، ما يقرب من لفة كاملة واحدة. افحص السير بحثًا عن أي ضرر.
- 3 (ابدأ تشغيل سير جهاز المشي بالضغط على زر GO (انطلق). زد السرعة إلى 3 ميل/ساعة (حوالي 4.8 كلم/ساعة) ولاحظ وضع السير. إذا كان الجهاز يتحرك إلى اليمين، فقم بإحكام ربط البرغي الأيمن عن طريق لفة في اتجاه عقارب الساعة ربع لفة ثم قم بإرخاء البرغي الأيسر بمقدار ربع لفة. أما إذا كان يتحرك إلى اليسار، فقم بإحكام ربط البرغي الأيسر عن طريق لفة في اتجاه عقارب الساعة ربع لفة، ثم قم بإرخاء البرغي الأيمن ربع لفة. كرر الخطوة 3 حتى يبقى السير في وضع متوسط لعدة دقائق.
- 4 (تحقق من شد السير. يجب أن يكون السير محكمًا للغاية. عندما يمشي شخص ما أو يجري على السير، يجب ألا يتقلقل أو ينزلق. في حالة حدوث ذلك، قم بإحكام ربط السير عن طريق لف كلا البرغيين في اتجاه عقارب الساعة ربع لفة. كرر ذلك إذا لزم الأمر.

ملاحظة: استخدم الشريط البرتقالي في الوضع الجانبي للحواجز الجانبية كمعيار للتأكد من توسيط السير على النحو الملائم. من الضروري ضبط السير حتى تكون حافة السير موازية للشريط البرتقالي أو الأبيض.

## تحذير!

لا تقم بتشغيل السير بسرعة أكبر من 3 ميل في الساعة (حوالي 4.8 كم في الساعة) أثناء التوسيط. عليك بإبقاء الأصابع والشعر والملابس بعيدًا عن السير في جميع الأوقات.

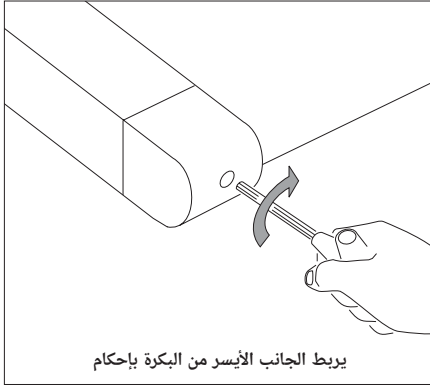
بالنسبة لأجهزة المشي المزودة بـ درايزين جانبي ومقود أمامي لدعم المستخدم والنزول عن الجهاز في حالات الطوارئ، اضغط على زر الطوارئ لإيقاف الجهاز من أجل النزول عنه في حالات الطوارئ.

## قبل استخدام جهاز المشي

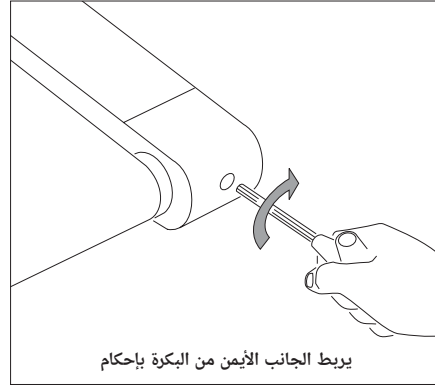
قم بإجراء الإعداد الأولي ومعايرة جهاز المشي باستخدام ميزة المعايرة التلقائية التي يمكن العثور عليها في "Manager Mode" (وضع المدير) أو "Engineering Mode" (الوضع الهندسي).

ملاحظات:

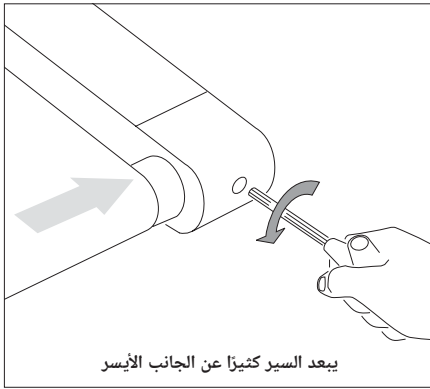
- لا تقف على السير بينما يكون تسلسل المعايرة التلقائية قيد التنفيذ.
- لا تضبط الميل إلا بعد الانتهاء من الإعداد الأولي والمعايرة التلقائية.
- لا تبدأ تشغيل سير جهاز المشي أو تضغط على أي أزرار للسرعة إلا بعد توجيهك لذلك في أثناء شد سير التشغيل.



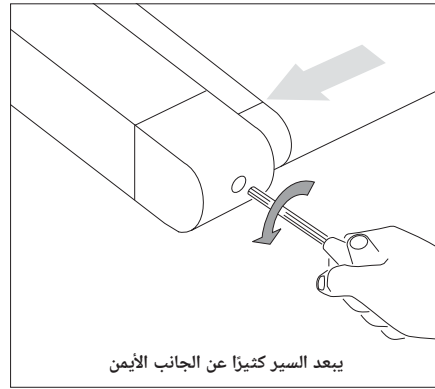
يربط الجانب الأيسر من البكرة بإحكام



يربط الجانب الأيمن من البكرة بإحكام



يبعد السير كثيرًا عن الجانب الأيسر



يبعد السير كثيرًا عن الجانب الأيمن

## تنبيه!

### خطر إصابة الأشخاص

أثناء الإعداد لاستخدام جهاز المشي، لا تقف على السير. ضع قدميك على الحواجز الجانبية قبل بدء تشغيل جهاز المشي. ابدأ المشي على السير فقط بعد أن يبدأ السير في التحرك. لا تبدأ تشغيل جهاز المشي مطلقاً على سرعة عالية وتحاول القفز فوق السير! في حالات الطوارئ، ضع كلتا يديك على متكاي الذراعين الجانبيين حتى تحافظ على وضعية الوقوف وضع قدميك على الحواجز الجانبية.

### استخدام مفتاح السلامة

لن يتم بدء تشغيل جهاز المشي ما لم تتم إعادة ضبط زر الإيقاف في حالات الطوارئ. اربط طرف المشبك بإحكام بملابسك. ضمم مفتاح السلامة هذا لقطع إمداد التيار الكهربائي لجهاز المشي في حالة اقترابك من السقوط. تحقق من تشغيل مفتاح السلامة كل أسبوعين.

### تحذير!

لا تستخدم جهاز المشي مطلقاً من دون تثبيت مشبك مفتاح السلامة بملابسك. اسحب مشبك مفتاح السلامة أولاً للتأكد من أنه لن ينفصل عن ملابسك.

استخدم الاتجاه العكسي للسير فقط في محيط خاضع للإشراف. سرعة السير الافتراضية القصوى هي 2 ميل في الساعة ويجب تغييرها فقط على يد فني مُصرَّح له.

يمكن أن يبلغ جهاز المشي سرعات عالية. ابدأ التمرين دوماً باستخدام سرعة أقل وزد السرعة تدريجياً حتى تبلغ مستويات أعلى. لا تترك جهاز المشي دون متابعة أثناء تشغيله. أوقف تشغيل الجهاز بواسطة مفتاح التشغيل/الإيقاف التشغيل وافصل قابس التيار الكهربائي. احرص على اتباع جدول الصيانة في هذا الدليل للمحافظة على أفضل أداء للجهاز ومنع تلف المكونات الإلكترونية السابق للأوان. اجعل جسمك ورأسك متجهين للأمام. ولا تحاول الاستدارة أو النظر للخلف أثناء تشغيل جهاز المشي. أوقف التمرين على الفور إذا شعرت بأي ألم أو دوار أو إغماء أو ضيق في التنفس.

## استخدام وظيفة معدل النبضات

لا تعتبر وظيفة قياس معدل النبضات في هذا المنتج جهازاً طبياً. وفي حين توفر مقايض قياس معدل النبضات تقديراً تقريبياً لمعدل النبضات الفعلي، فلا يجب الاعتماد عليها عند الحاجة لأخذ قراءات دقيقة. قد يستفيد بعض الأشخاص، بمن فيهم المنضمين إلى برنامج إعادة تأهيل القلب، من استخدام نظام بديل لمراقبة معدل النبضات مثل حزام المعصم أو الصدر. هناك عدة عوامل، مثل حركة المستخدم، من شأنها التأثير على دقة قراءة معدل النبضات. وتهدف قراءة معدل النبضات لأن تكون فقط عاملاً مساعداً أثناء التمرين لتحديد توجهات معدل النبضات بوجه عام. يُرجى استشارة طبيبك في هذا الشأن.

### مقايض قياس النبضات

ضع راحتي يديك مباشرةً على مقبض قياس النبضات. يجب أن تمسك كلتا اليدين بأدوات الاستشعار حتى يتم تسجيل معدل النبضات. يستغرق ذلك 5 نبضات متتالية (15-20 ثانية) حتى يتم تسجيل معدل النبضات. عند الإمساك بمقبض النبضات، لا تحك قبضتك عليه. وإلا فقد يؤدي ذلك إلى رفع ضغط الدم. اجعل قبضتك مرتخية ومضمومة. قد تحصل على قراءة غير صحيحة إذا كنت تحك قبضتك على مقبض النبضات باستمرار. احرص على تنظيف أدوات استشعار النبضات لضمان المحافظة على التماس الملائم. ضمنت مقايض قياس النبضات فقط لغرض استشعار النبضات.

### تحذير!

قد تكون أنظمة مراقبة معدل نبض القلب غير دقيقة. قد يؤدي التمرين بجهد مفرط لحدوث إصابة خطيرة أو الوفاة. إذا شعرت بالإغماء، فأوقف التمرين على الفور.

## مواصفات المنتج

أقصى وزن للمستخدم	182 كجم / 400 رطلاً
وزن المنتج	178 كجم / 392 رطلاً
وزن الشحن	210 كجم / 462 رطلاً
الأبعاد الكلية (الطول×العرض×الارتفاع)*	215 × 91 × 154 سم / 85 × 36 × 61 بوصة

\* تأكد من توافر مساحة عرضها 0.6 متر (24 بوصة) على الأقل للوصول إلى والممرور حول جهاز VISION. يُرجى ملاحظة أن مسافة 0.91 متر (36 بوصة) هي المساحة التي يوصي بها قانون ADA لمستخدمي الكراسي المتحركة.





## الصيانة

يجب أن يتولى فني خدمة مؤهل إجراء أي أو جميع الأعمال التي تتضمن فك الأجزاء أو استبدالها.

- 1 (تجنب استخدام أي جهاز تالف أو يتضمن أجزاءً بالية أو مكسورة. استخدم فقط قطع الغيار التي يوفرها وكيل VISION المحلي ببلدك.
- 2 (احتفظ بالملصقات والبطاقات: لا تنزع أي ملصقات لأي سبب كان. فهي تحتوي على معلومات مهمة. وإذا كانت غير واضحة للقراءة أو مفقودة، فاتصل بوكيل VISION للحصول على أخرى بديلة.
- 3 (قم بصيانة جميع الأجهزة: تعتبر الصيانة الوقائية عاملاً أساسياً لتشغيل الأجهزة بشكل سلس فضلاً عن تعريضك لأقل قدر من المسؤولية. يجب فحص الجهاز على فترات منتظمة.
- 4 (تأكد أن أي شخص (أشخاص) يتولى إجراء أي نوع من أنواع التعديلات أو أعمال الصيانة أو الإصلاح مؤهل للقيام بذلك. يوفر وكلاء VISION التدريب على الخدمة والصيانة في منشآت شركتنا حسب الطلب.

### تحذير!

لفصل جهاز المشي عن مصدر التيار الكهربائي، يجب فصل كبل التيار الكهربائي عن مقبس الحائط.

### نصائح التنظيف الموصى بها

يساعد إجراء الصيانة الوقائية والتنظيف اليومي إلى إطالة عمر الجهاز والمحافظة على رونقه.

- 1 استخدم قطعة قماش قطنية ناعمة ونظيفة. لا تستخدم المناشف الورقية لتنظيف أسطح جهاز المشي. فالمناشف الورقية خشنة وقد تؤدي إلى تلف الأسطح.
  - 2 استخدم صابون خفيف وقطعة قماش مبللة. لا تستخدم منظفًا يحتوي على النشادر أو الكحول. فقد يؤدي ذلك إلى تغيير لون الأجزاء المصنوعة من الألومنيوم والأجزاء البلاستيكية حال احتكاكه بها.
  - 3 لا تصب الماء أو محاليل التنظيف على أي سطح. فقد يؤدي ذلك إلى الصعق الكهربائي.
  - 4 امسح وحدة التحكم، ومقبض قياس النبضات، والمقابض والحوارج الجانبية بعد كل استخدام.
  - 5 استخدم فرشاة لإزالة أي بقايا شمعية من السطح ومنطقة السير. وهو أمر شائع الحدوث حتى يتغلغل الشمع إلى داخل مادة السير.
  - 6 احرص على إزالة أية عوائق من مسار عجلات الرفع بما في ذلك كبلات التيار الكهربائي.
- لتنظيف شاشات اللمس، استخدم الماء المقطر في زجاجة رش. رش الماء المقطر على قطعة قماش ناعمة ونظيفة وجافة وامسح الشاشة حتى تصبح نظيفة وجافة. بالنسبة للشاشات شديدة الاتساخ، يوصى بإضافة الخل.

### تنبيه!

احرص على الحصول على المساعدة الملائمة لتثبيت ونقل الوحدة لتفادي وقوع إصابات أو تلف جهاز المشي.

### جدول الصيانة

التكرار	الإجراء
يوميًا	فصل الوحدة عن مصدر التيار الكهربائي. تنظيف الجهاز بالكامل باستخدام ماء وصابون خفيف أو محلول آخر معتمد (يجب أن تكون مواد التنظيف خالية من الكحول والنشادر).
يوميًا	فحص كبل التيار الكهربائي. إذا كان الكبل تالفًا، فاتصل بقسم الدعم الفني للعملاء.
يوميًا	تحقق من عدم وجود كبل التيار الكهربائي أسفل الوحدة أو في أي مكان آخر قد يعلق فيه أو يتعرض للقطع خلال التخزين أو الاستخدام.
شهريًا	افصل جهاز المشي عن مصدر التيار الكهربائي وانزع غطاء المحرك. تحقق من وجود بقايا وقم بالتنظيف بقطعة قماش جافة أو فوطة مكنسة كهربائية صغيرة. <b>تحذير:</b> لا توصل جهاز المشي بمصدر التيار الكهربائي إلا بعد إعادة تركيب غطاء المحرك.
كل ثلاثة أشهر	بالنسبة لوحدة التحكم ذات شاشات اللمس، أدخل الوحدة في وضع الخدمة وحدد "test" (اختبار). حدد "touch calibration" (المعايرة باللمس) ثم حدد "start" (بدء). اتبع المطالبات التي تظهر على الشاشة والمس الشاشة حيثما يكون مطلوبًا.
كل ثلاثة أشهر	قم بتنظيف مستشعرات الأشعة تحت الحمراء (الموجودة على سارية وحدة التحكم) بواسطة أعواد قطنية وكحول محمر.

### استبدال السطح والسير

تعد مجموعة السطح والسير من أكثر مكونات جهاز المشي التي تتعرض للبلل والتلف. وفي حالة عدم صيانة هذين الجزأين على النحو الملائم، فقد يؤدي ذلك إلى تلف المكونات الأخرى. هذا المنتج مزود بنظام التشحيم الذي لا يحتاج للصيانة الأكثر تطورًا في الأسواق.

### تحذير!

تأبص! عوقول لذي دوي دق. حطسل او ريسل ا في ظنت ءانثأ يشمل ا زاه ل يغش ت ب م ق ت ال م ادخ ت س اب ح طسل او ريسل ا بن ا و ج ح س م ر ب ع ح طسل او ريسل ا ن ا ي ص ب م ق. زاه ج ل ا فالت ا و ة رطخ ني ت ص و ب ة ف اس م ل ريسل ا ل فس ا ة ق ط ن م ح س م ا ض ر ي ا م د خ ت س م ل ن ك م ي و. ة في ظ ن ش ا م ق ة ع ط ق م بي ك ر ت ة د ا ع و ح طسل ا ب ل ق ن ك م ي. ا ي ا ق ب و ا ة ب ر ت ا ة ي ا ة ل ا ز ل ن ي ن ب ن ا ج ل ا ل ك ي ل ع (م ل م 51 ي ل ا و ح) Vision Fitness Systems ة ل ر ش ب ل ا ص ر ت ا ل ا ي ج ر ي. د م ت ع م ة م د خ ي ن ف ل ب ق ن م ه ل ا د ب ت س ا و ا ت ا م و ل ع م ل ا ن م د ي ز م ل ا ي ل ع ل و ص ح ل ل



T600

© 2019 Johnson Health Tech

220V Rev 2.3